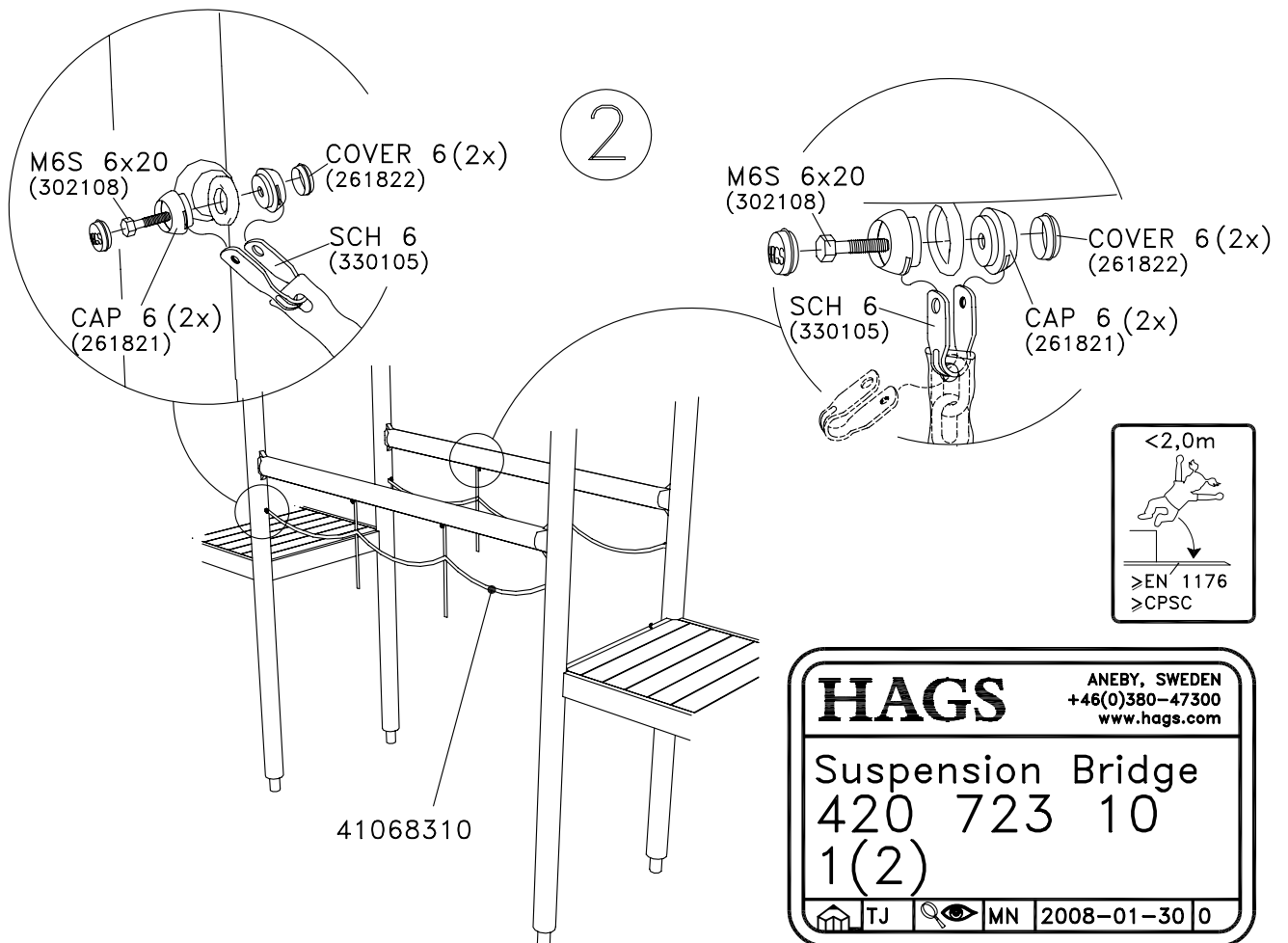
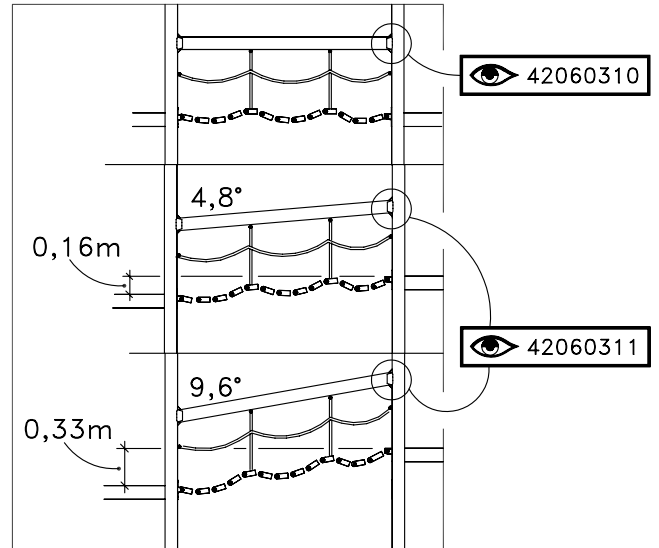
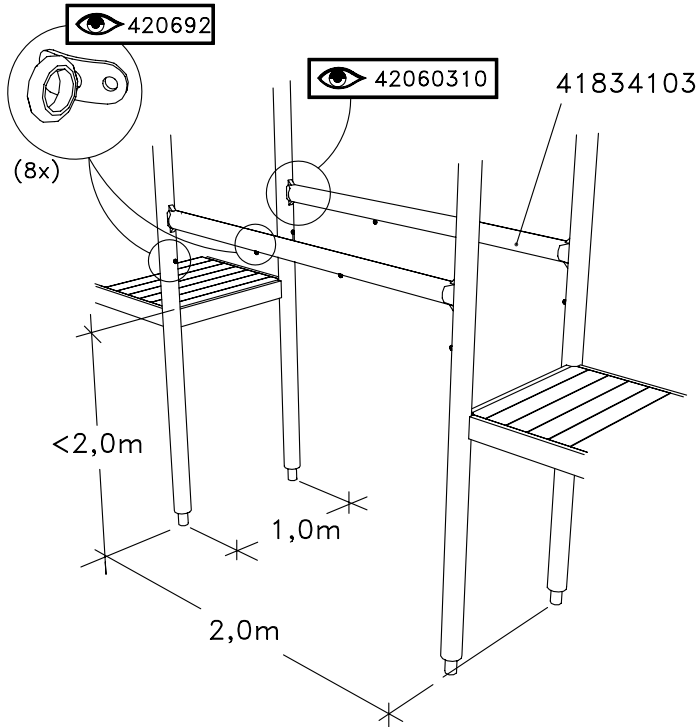
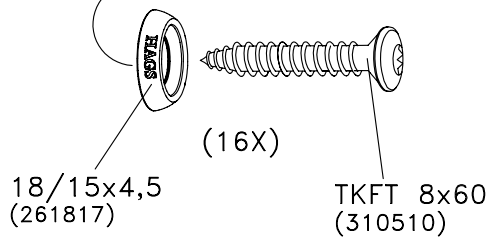
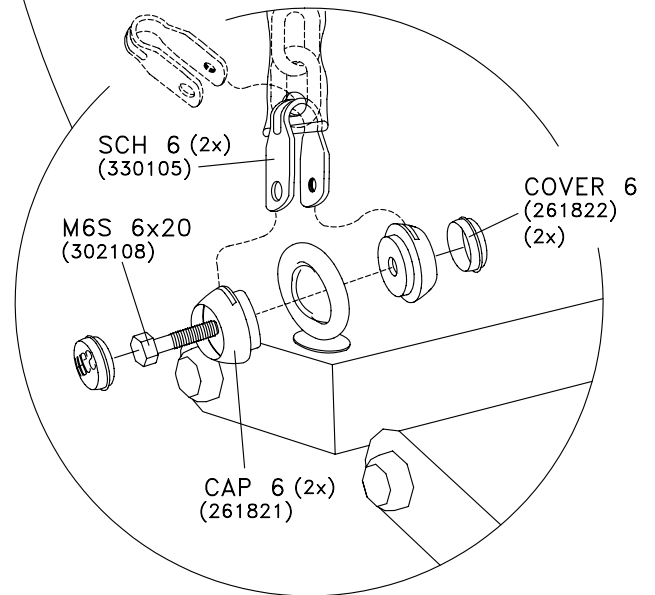
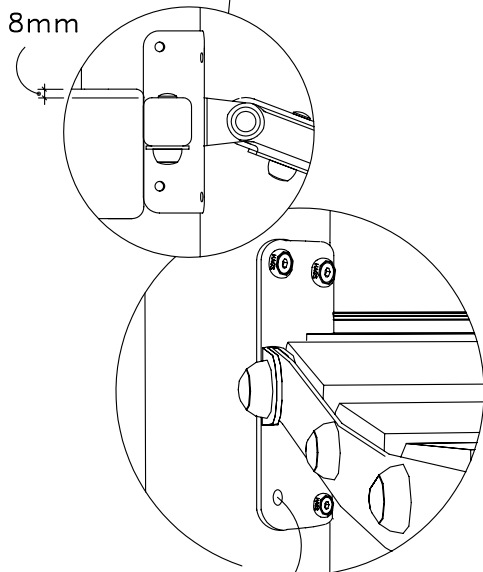
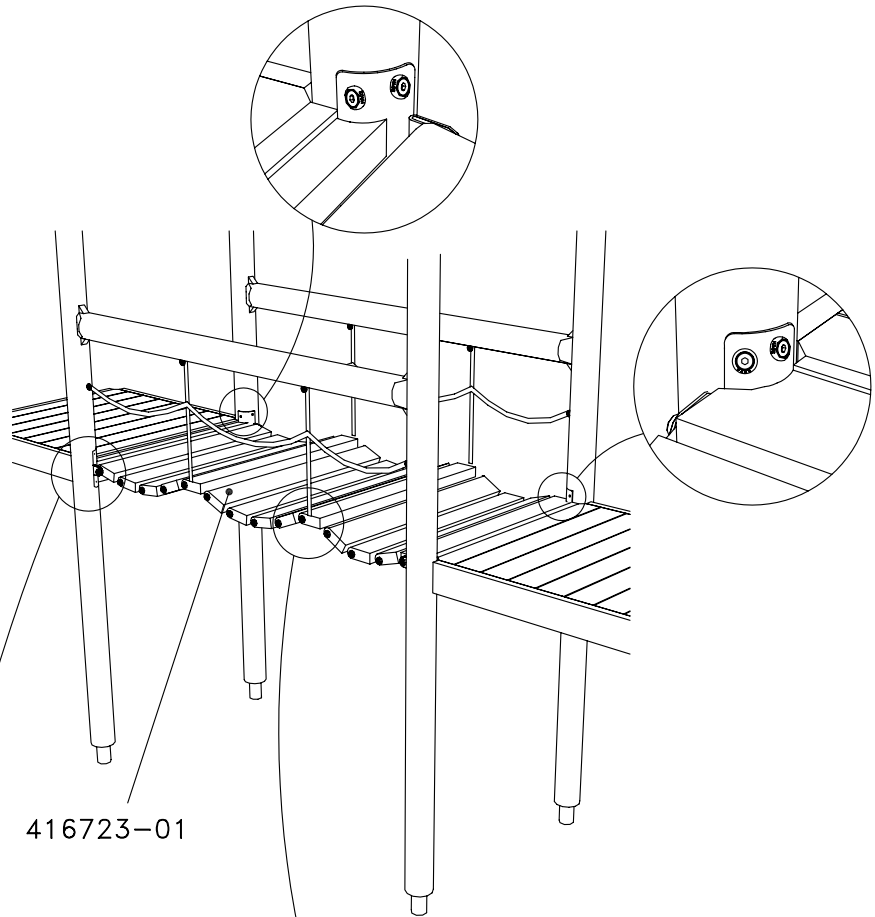


TYPE	HAGS.NO
(2x) L=1,89m	41834103
(2x) 0,57x2,0m	41068310
1,0x2,0m	416723-01

1



3



**HAGS** ANEBY, SWEDEN  
+46(0)380-47300  
www.hags.com

Suspension Bridge  
420 723 10  
2(2)

🏠 TJ 🔍 MN 2008-01-30 0