

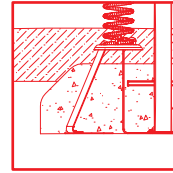
# HAGS<sup>®</sup>

Installation Instructions

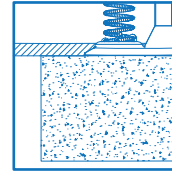
## Multi-user Seesaw



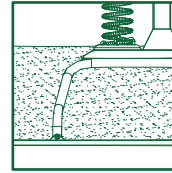
Springtime



SPMNS



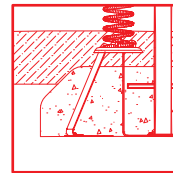
SPMND



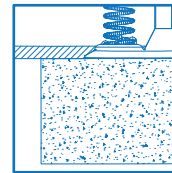
SPMNG



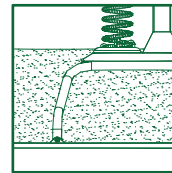
Cary



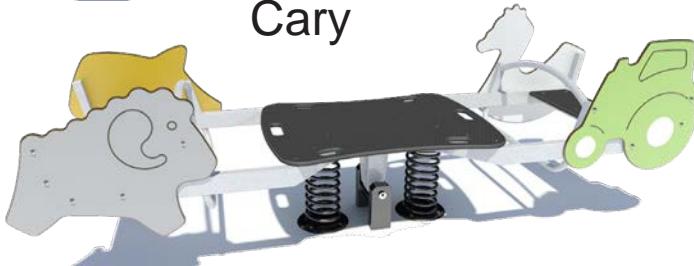
8045084



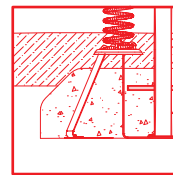
8045083



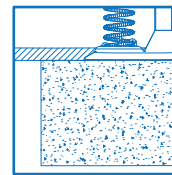
8045082



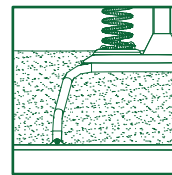
Farmy



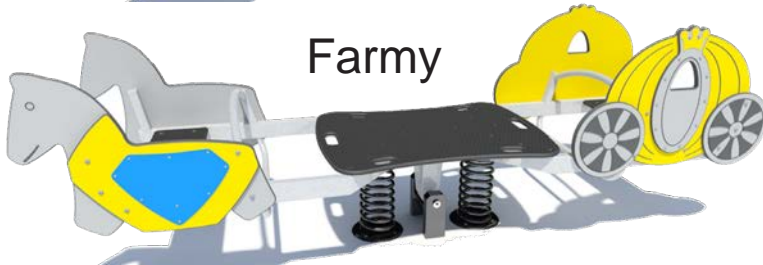
8045081



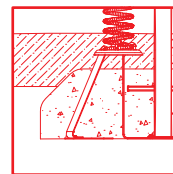
8045080



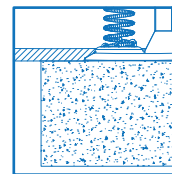
8045079



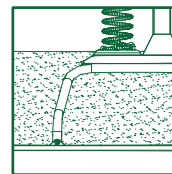
Baronessa



8056655



8056196

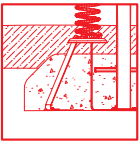
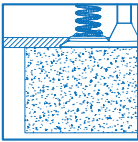
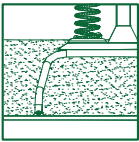
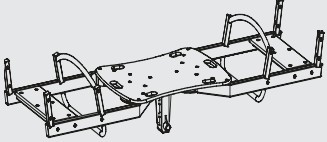
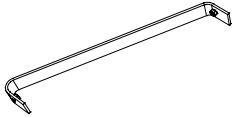

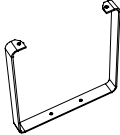
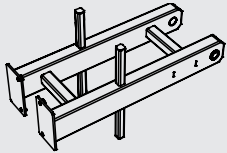
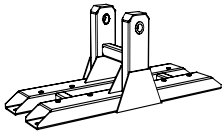
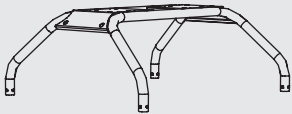

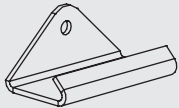
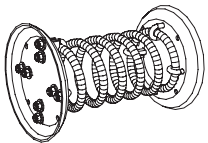
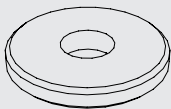
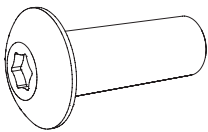


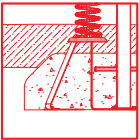
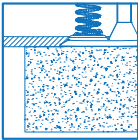
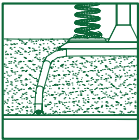
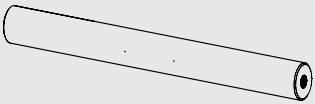
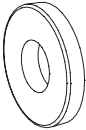
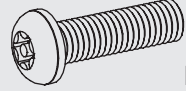
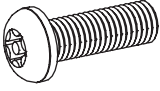
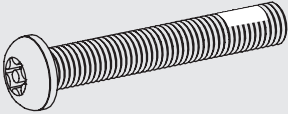
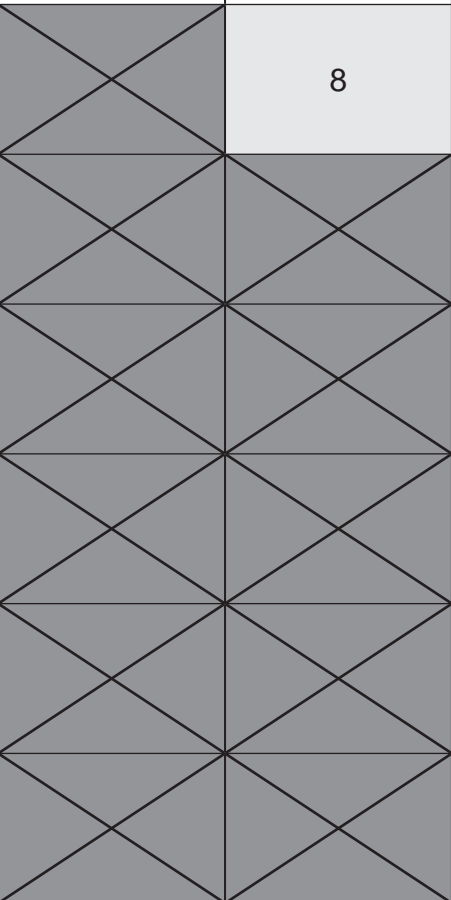


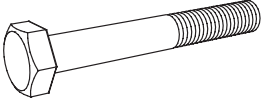
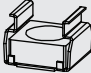
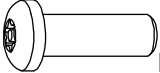

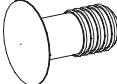
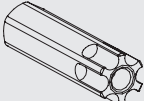
8056193

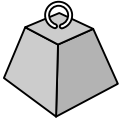
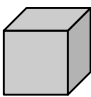

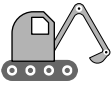
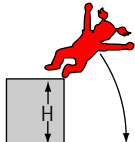



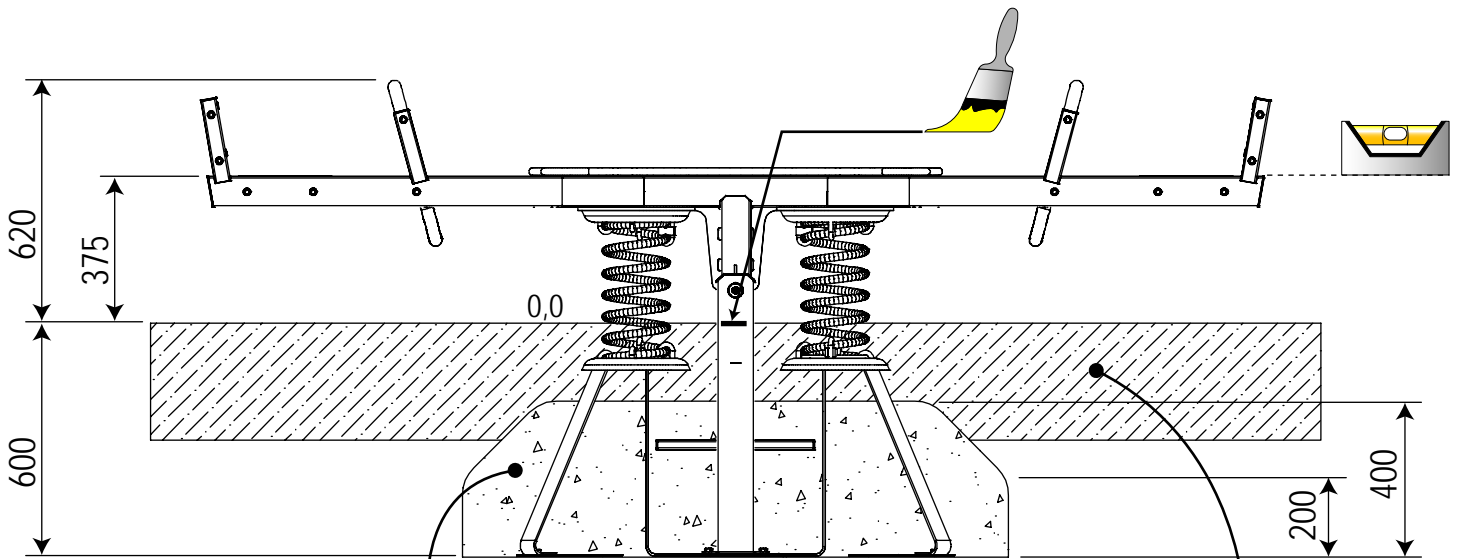
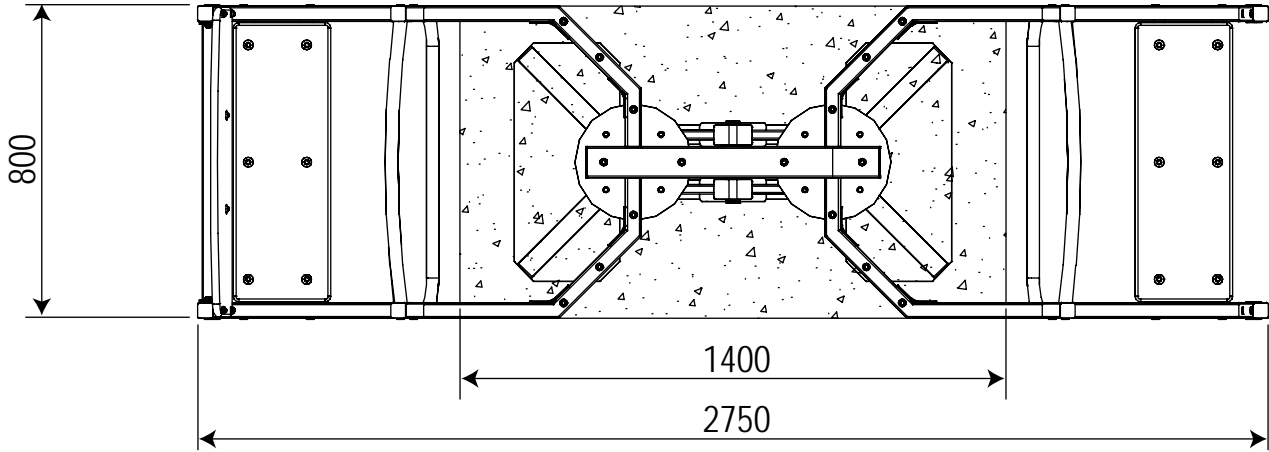
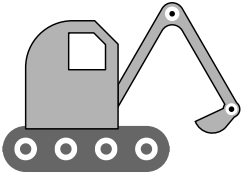
SPMBACK/8044148

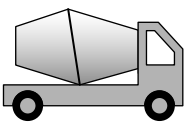


© Playpower Inc  
E-post:hags@hags.com  
www.hags.com

ITEM	REF	PART				Kg.
1	86401002		1	1	1	95
2	86009002		4			1.75
3	86009001		2			2
4	86030003		2			4
5	86401005		1			14
6	86401006			1	1	19
7	8047842				1	38.73
8	8047776				2	9.56
9	8047799				8	0.32
10	56029999		2	2	2	12.5
11	86030007	 12 x 36 x 5	2	2	2	0.005
12	10301005		8	8	8	0.048

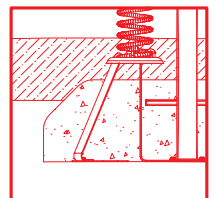
ITEM	REF	PART				Kg.
13	86404017		1	1	1	1.15
14	10291400	 15 x 35 x 5	16	16	16	0.005
15	10121035	 M10 x 35	8	8	8	0.032
16	10121030	 M10 x 30	18	2	2	0.028
17	10131065	 M10 x 65		8	8	0.042
18	8008850	 M10 - 11 X 24 X 2		12	0.004	
19	8008796	 M10		4	0.01	
20	8008386	 M10 x 75		4	0.058	
21	324806	 M10		4	0.01	
22	8025747	 M10 x 30		4	0.032	
23	10291000	 M10 - 11 x 21 x 1		24	16	16
24	19024501		16	16	16	0.001
25	10121000		2	2	2	0.03

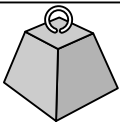
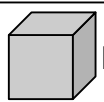

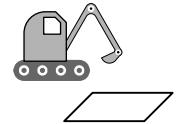
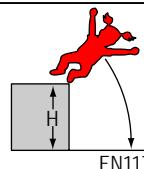

 kg	 LxWxH (m)	 m <sup>3</sup>	 m <sup>2</sup>	 EN1176 H=0.7m	 X 2=T T = 5hr
SPMNS= 179	2.88 x 0.88 x 0.70	0.45	5 x 3		
8045081= 175	2.88 x 0.83 x 0.86				
8045084= 175	2.82 x 0.83 x 0.81				
8056655= 203	3.08 x 0.85 x 0.89				

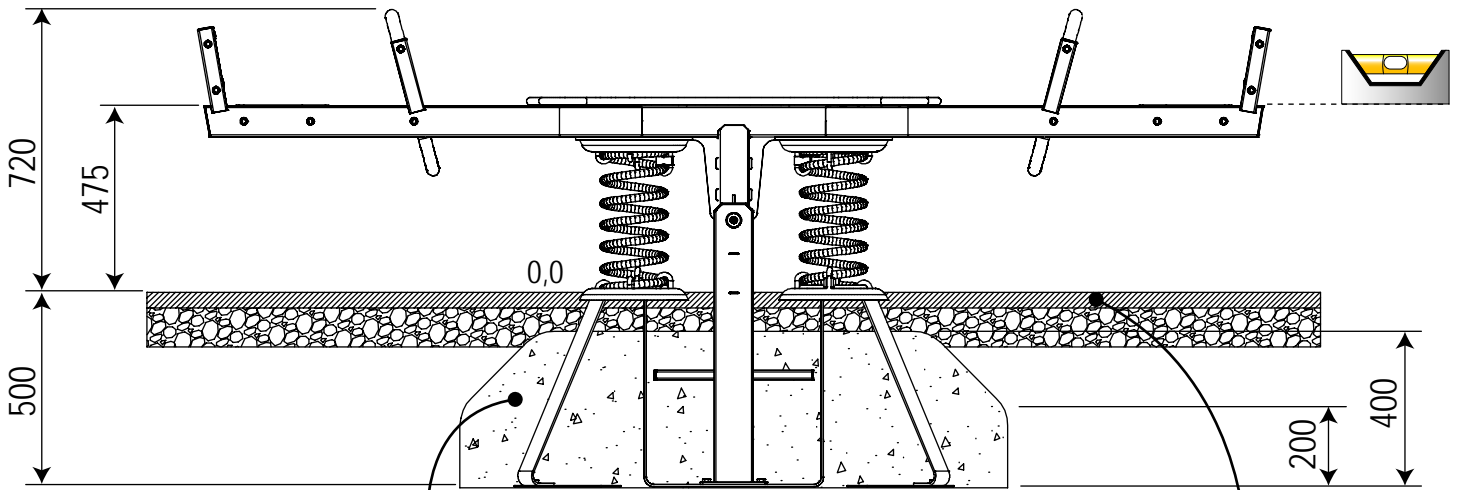
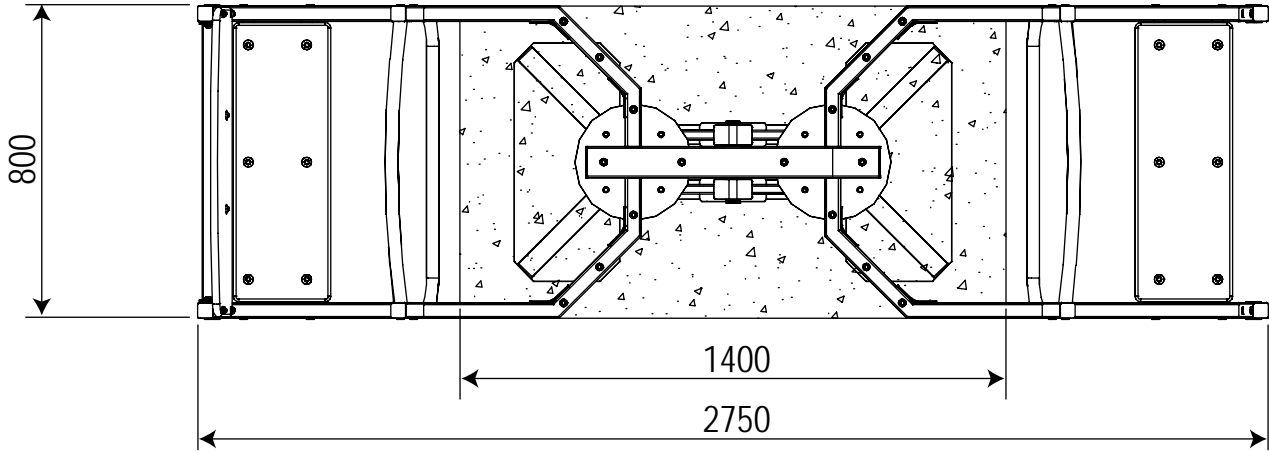
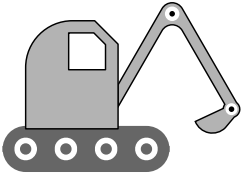


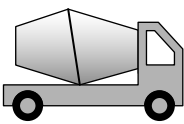



S2 (50mm) ≥C20-25
 7 x 24h
 101

	144 TYPE 1
	144 TYPE 2

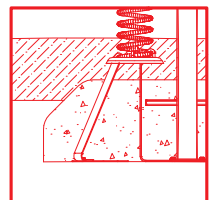


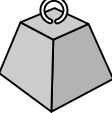
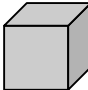
 kg	 LxWxH (m)	 m <sup>3</sup>	 m <sup>2</sup>	 EN1176 H=0.8m	 X 2=T T = 5hr
SPMNS= 179	2.88 x 0.88 x 0.80	0.45	5 x 3		
8045081= 179	2.88 x 0.83 x 0.96				
8045084= 179	2.82 x 0.83 x 0.91				
8056655= 203	3.08 x 0.85 x 0.99				

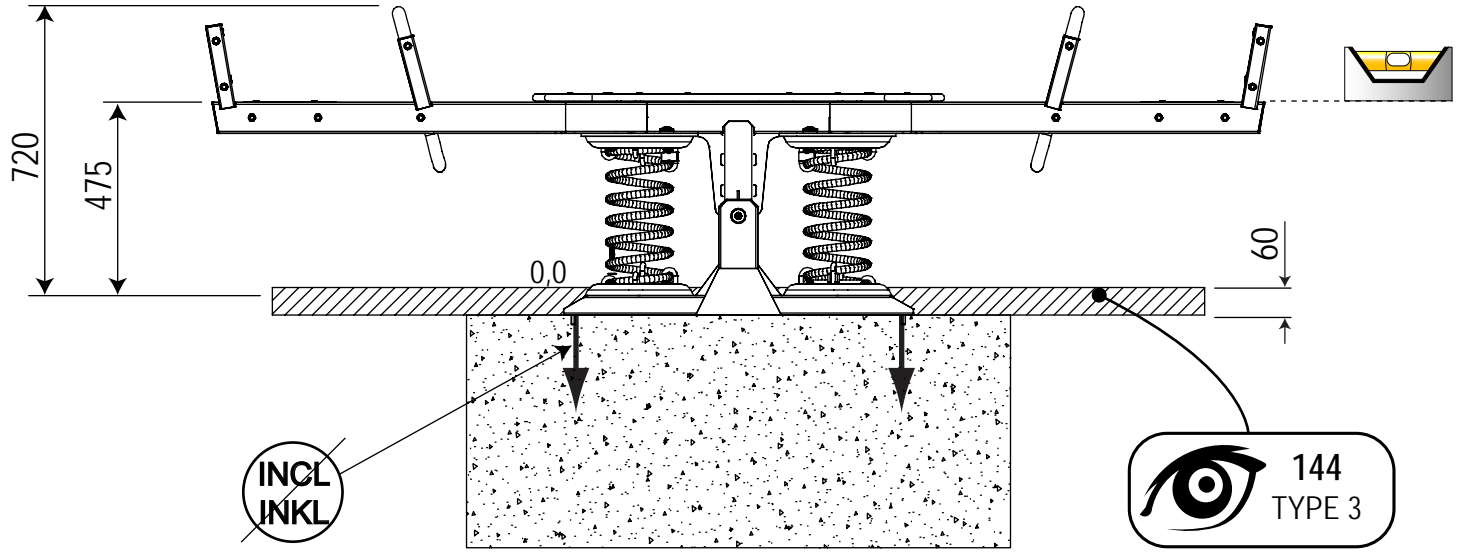
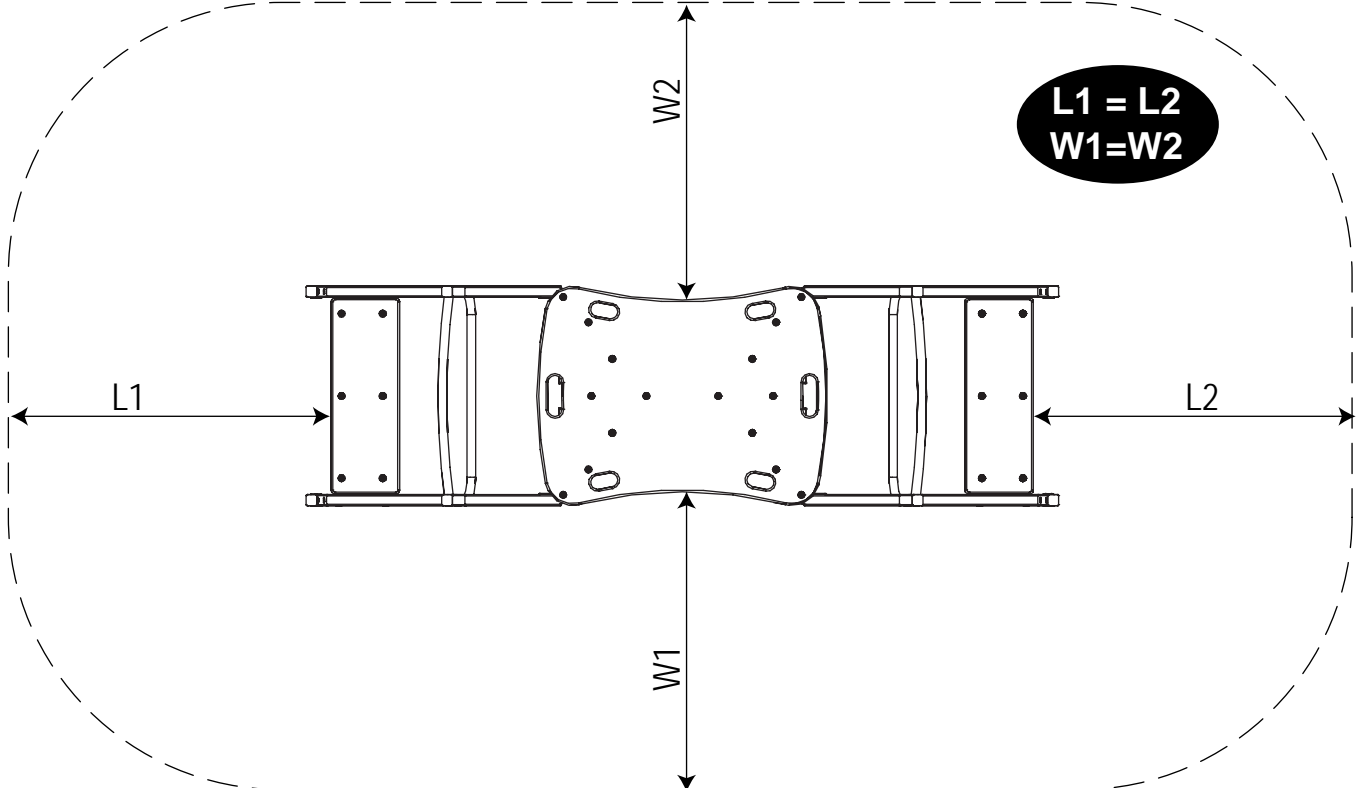
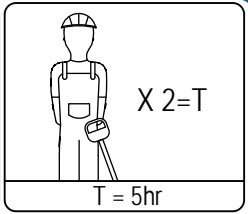
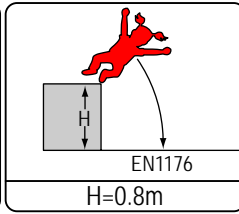
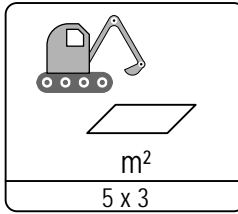



S2 (50mm) ≥C20-25
 7 x 24h
 101

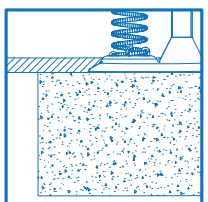
	144 TYPE 3
	144 TYPE 4

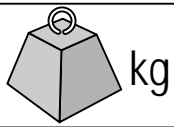


 kg	 LxWxH (m)
SPMND= 165	2.88 x 0.88 x 0.80
8045080= 161	2.88 x 0.83 x 0.96
8045083= 161	2.82 x 0.83 x 0.91
8056196= 189	3.08 x 0.85 x 0.99



M16



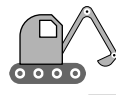


kg



LxWxH (m)

SPMNG= 225	2.88 x 0.88 x 0.80
8045079= 221	2.88 x 0.83 x 0.96
8045082= 221	2.82 x 0.83 x 0.91
8056193= 249	3.08 x 0.85 x 0.99



m<sup>2</sup>

5 x 3



EN1176

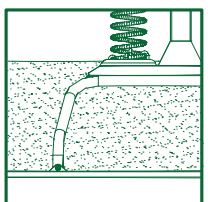
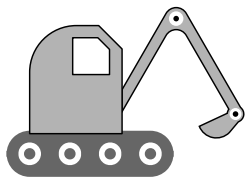
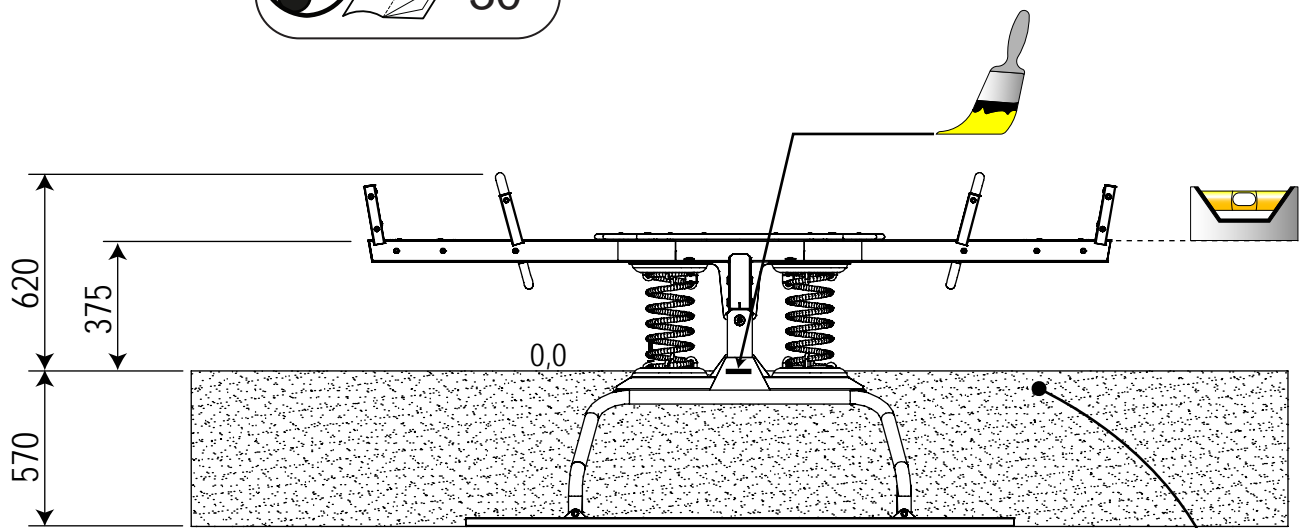
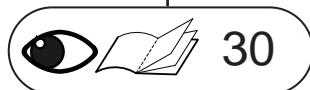
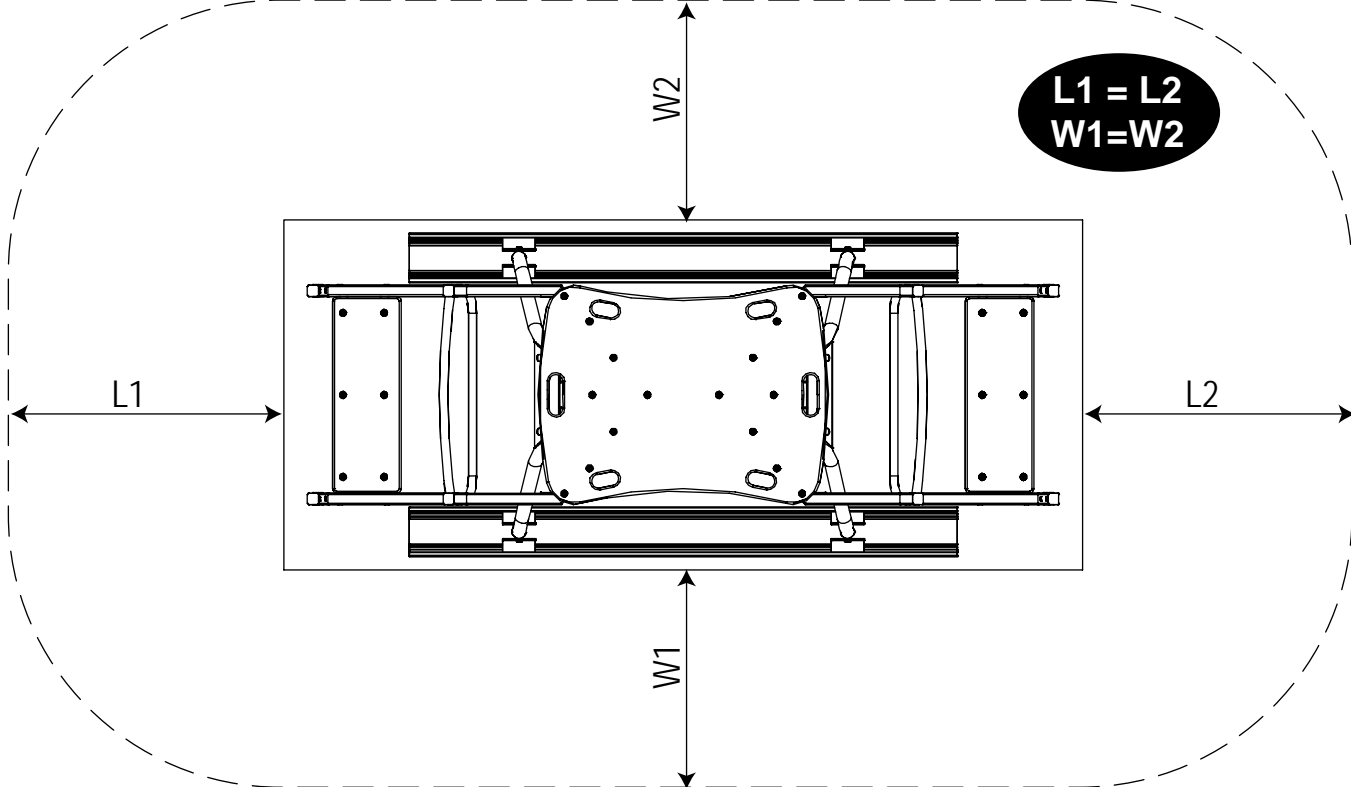
H=0.7m

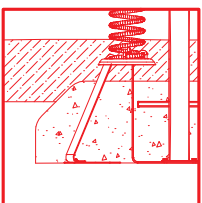
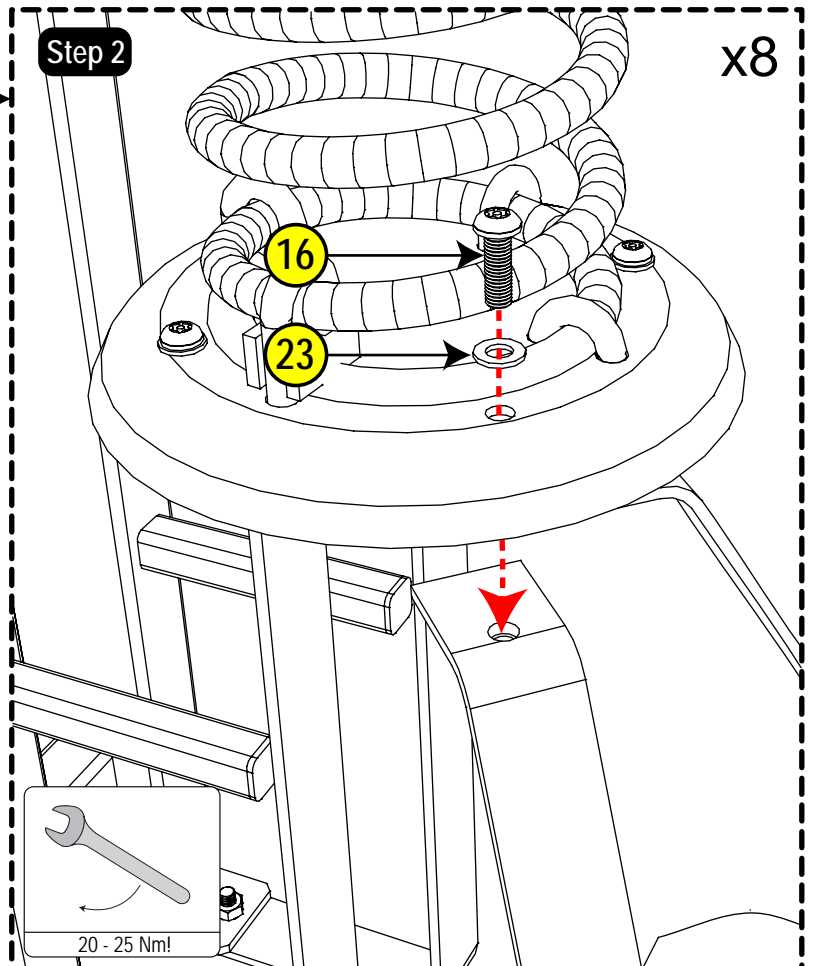
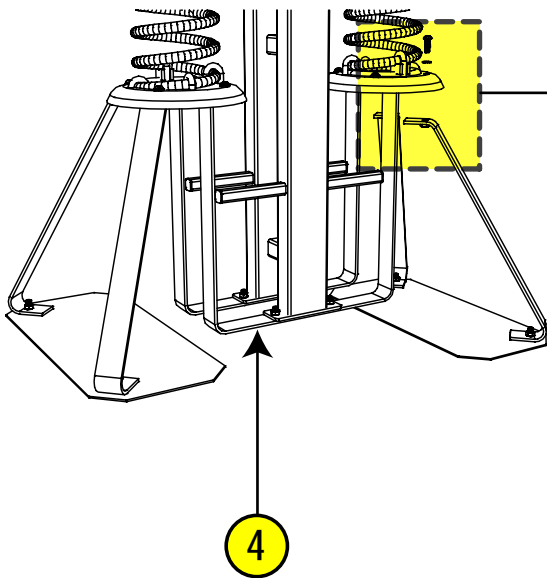
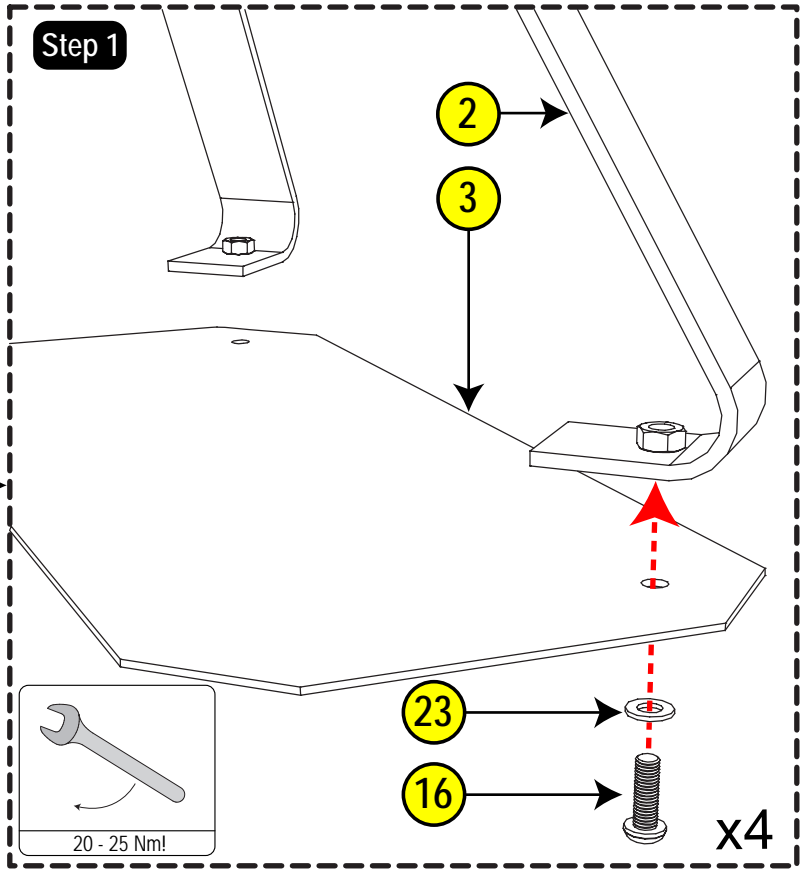
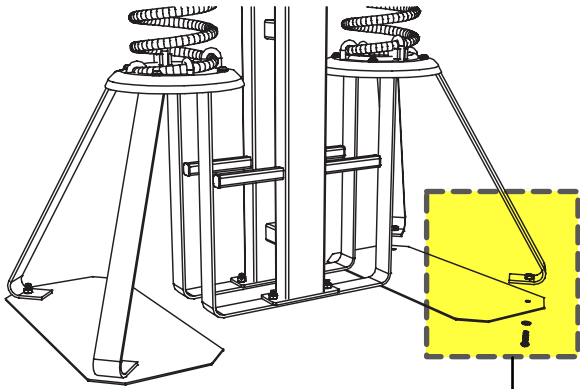


X 2=T

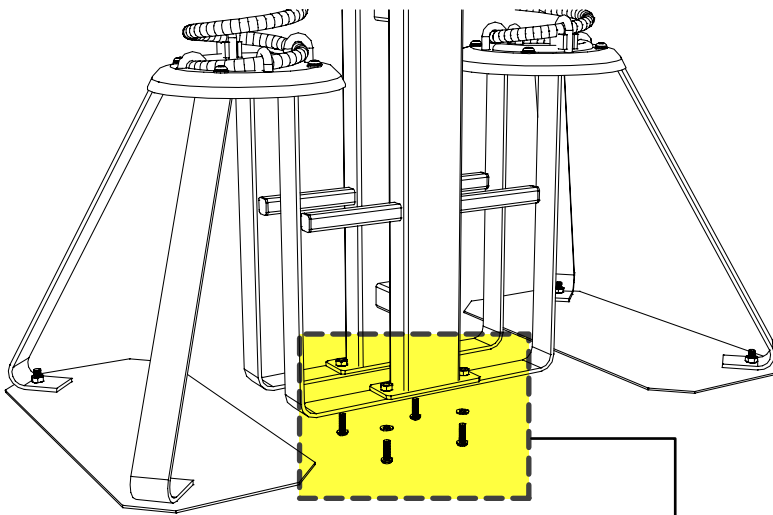
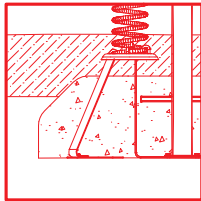
T = 5hr

L1 = L2  
W1 = W2









**Step 3**

2

23

16

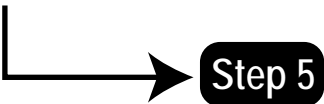
x4

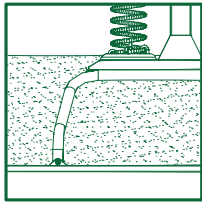
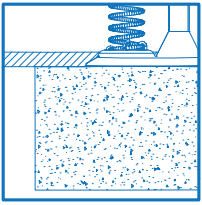
20 - 25 Nm!

**Step 4**

S2 (50mm) ≥C20-25
7 x 24h
101

4 & 5

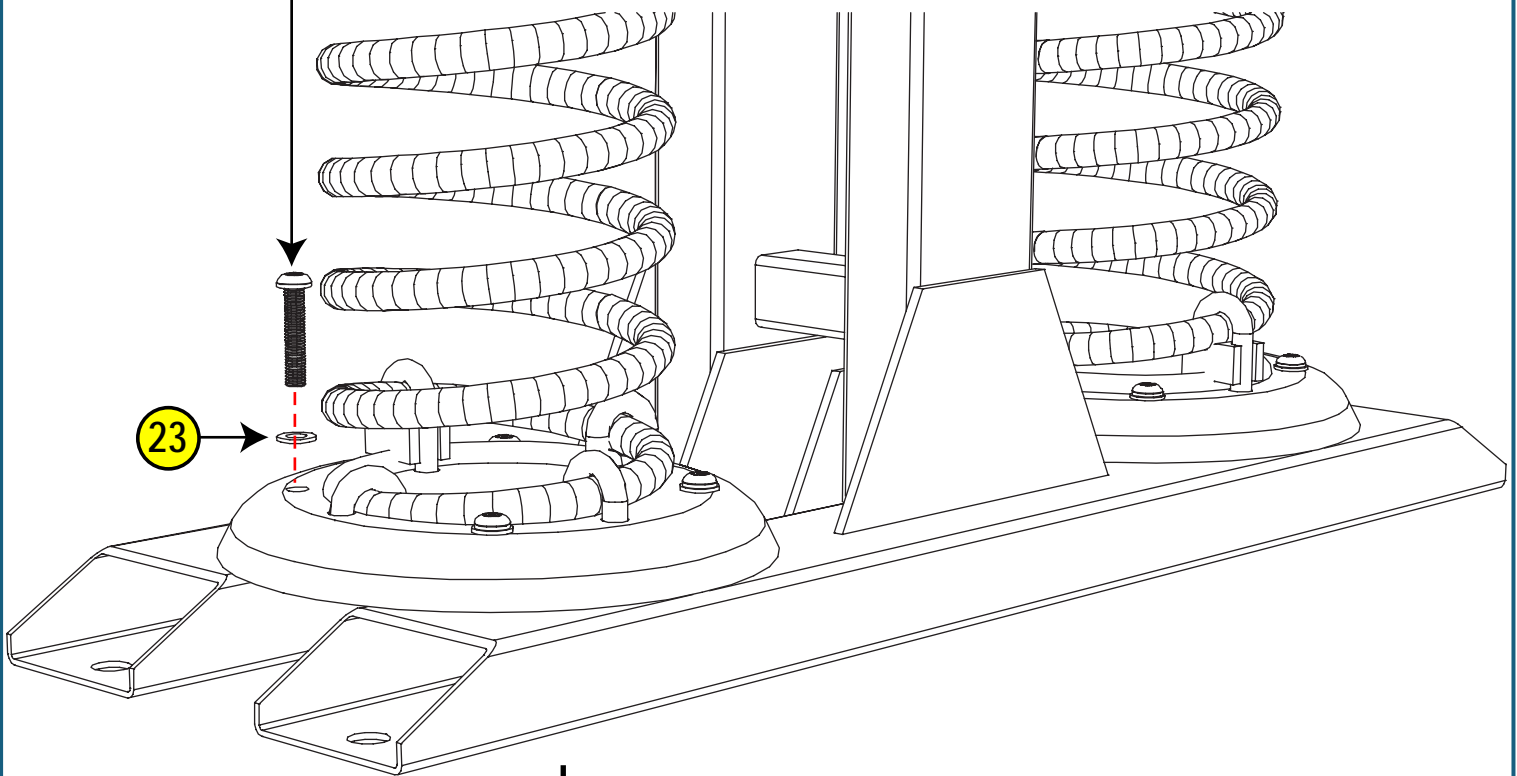




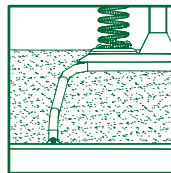
Step 1-A

17 x8

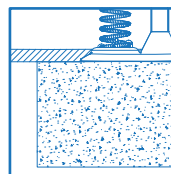
23

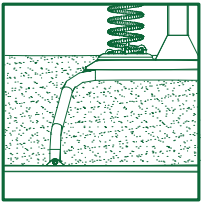


Step 1-B



Step 5

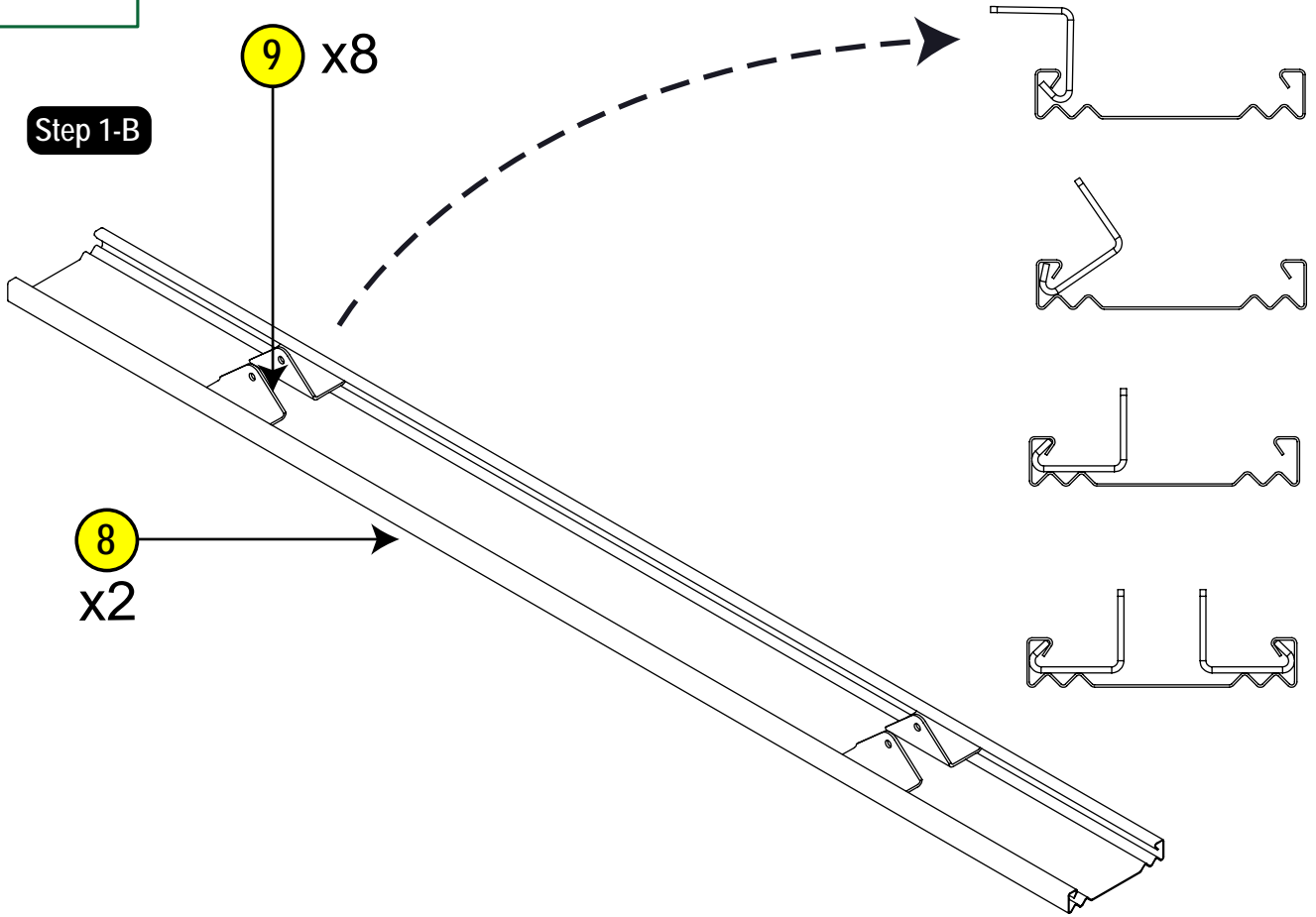




Step 1-B

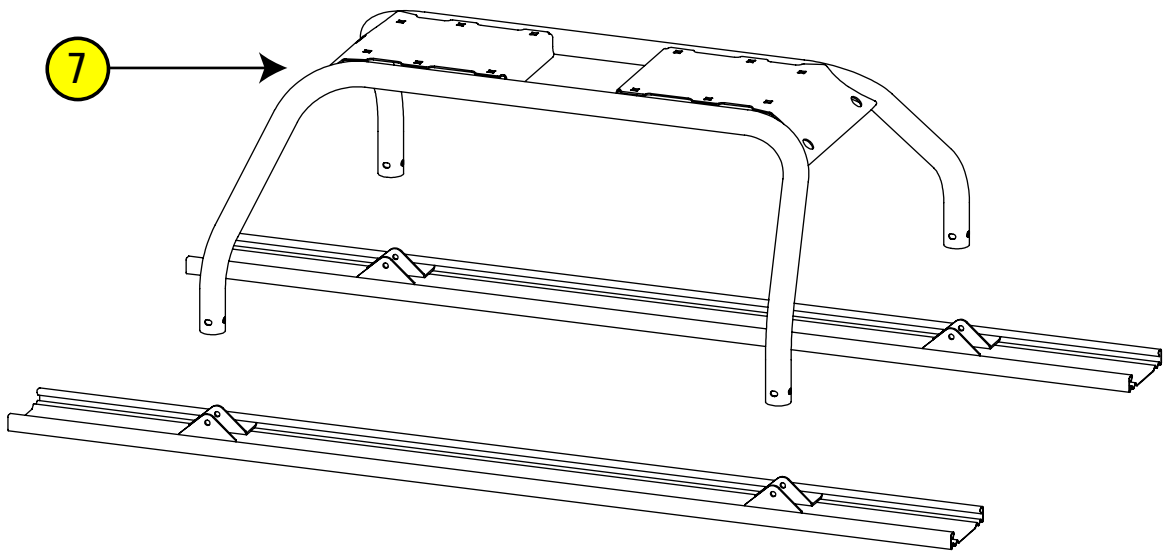
9 x8

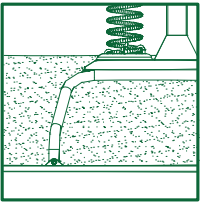
8 x2



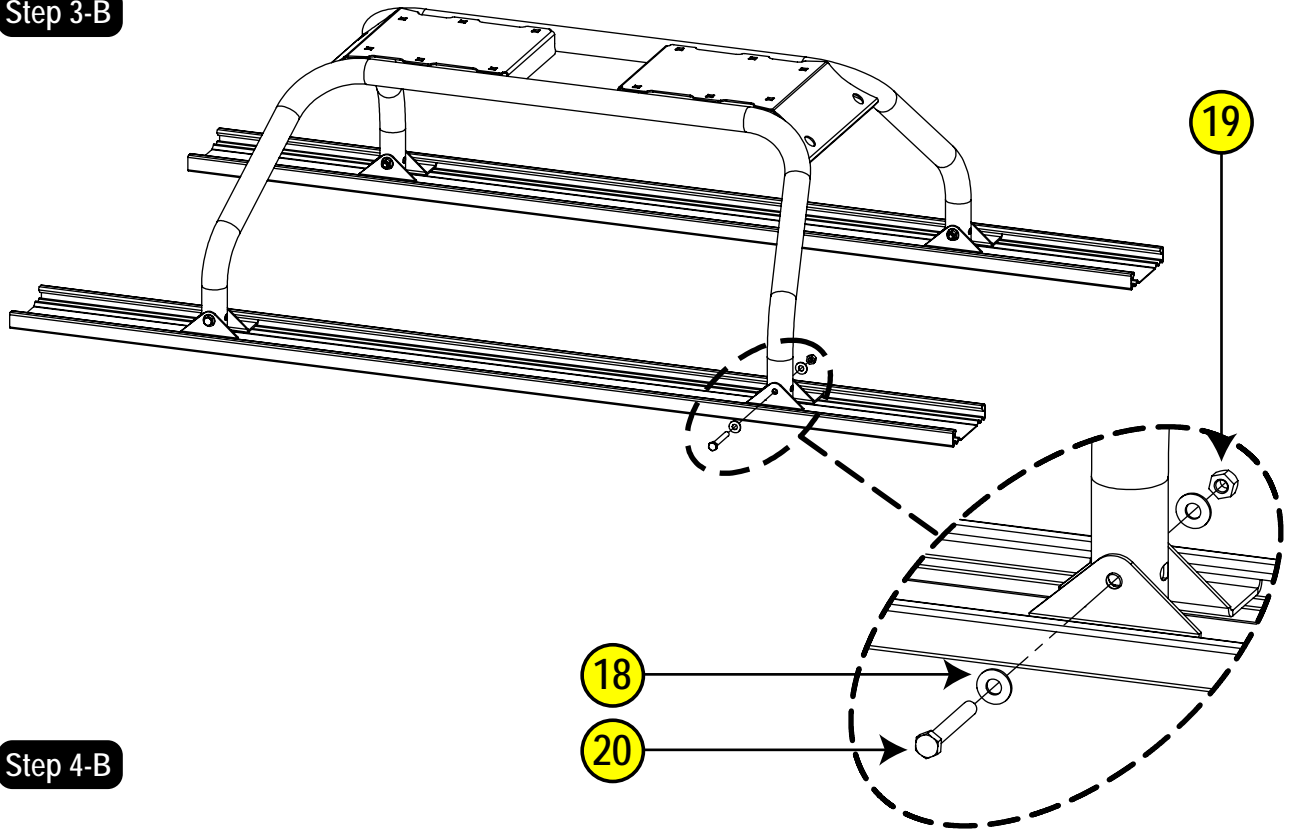
Step 2-B

7

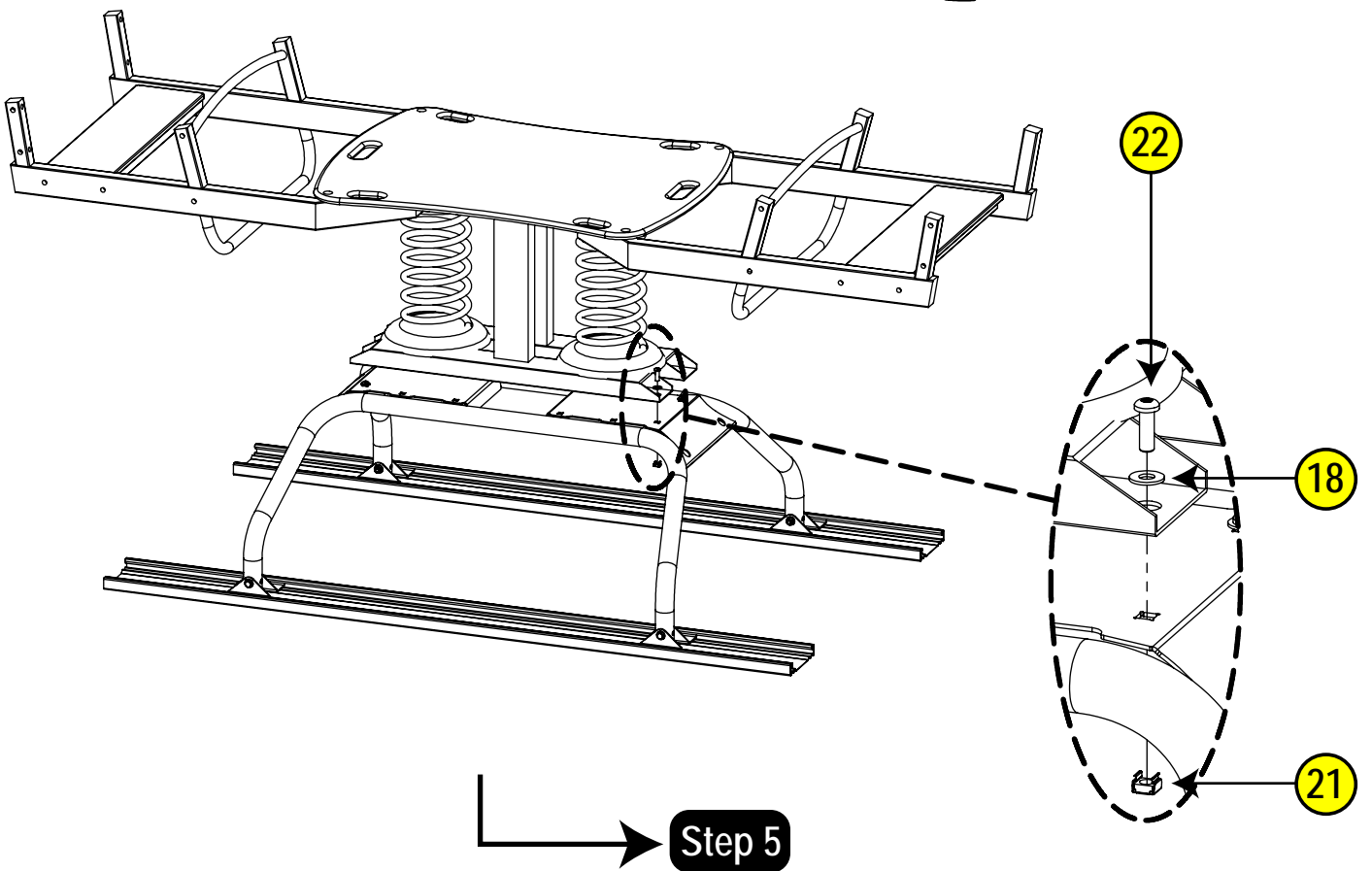


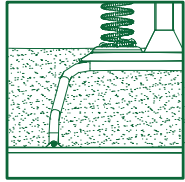
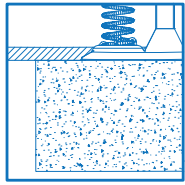
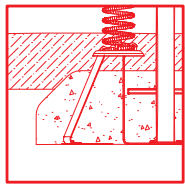


**Step 3-B**

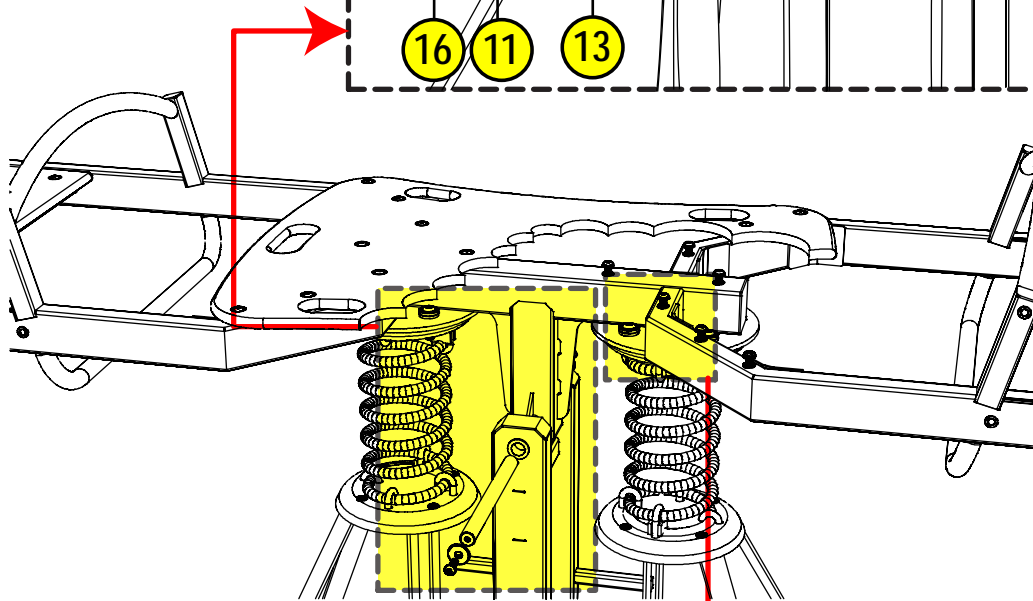
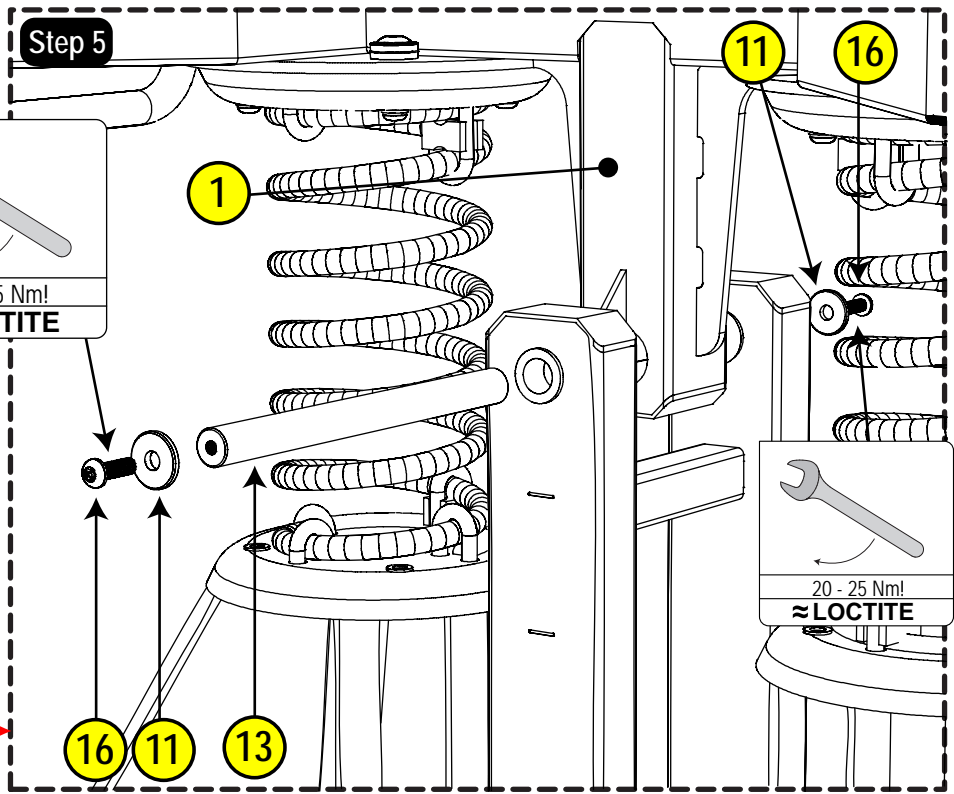
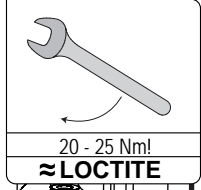
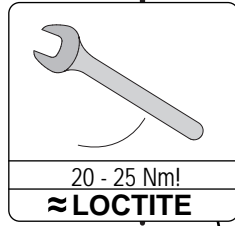


**Step 4-B**

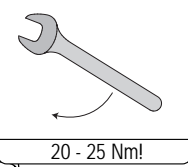
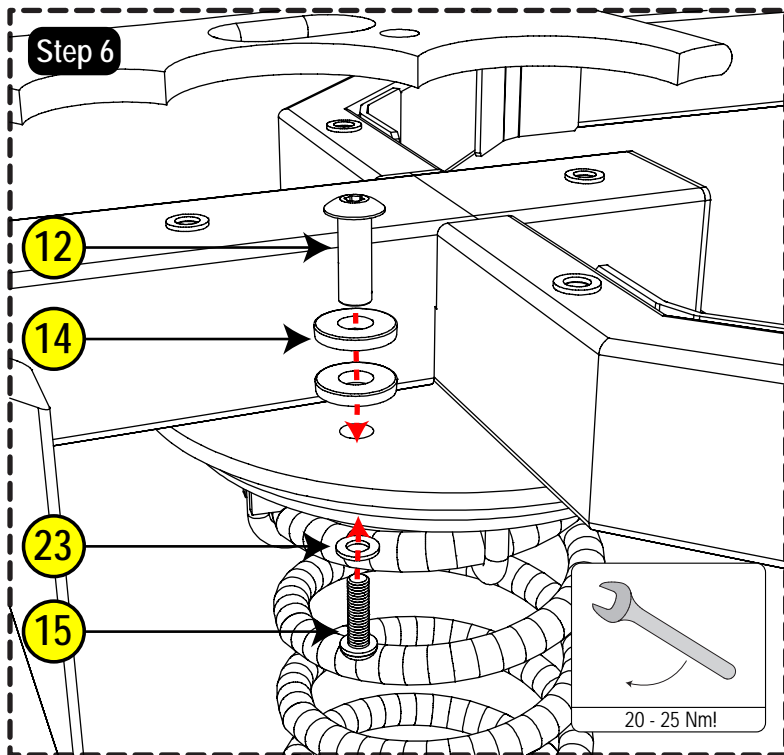




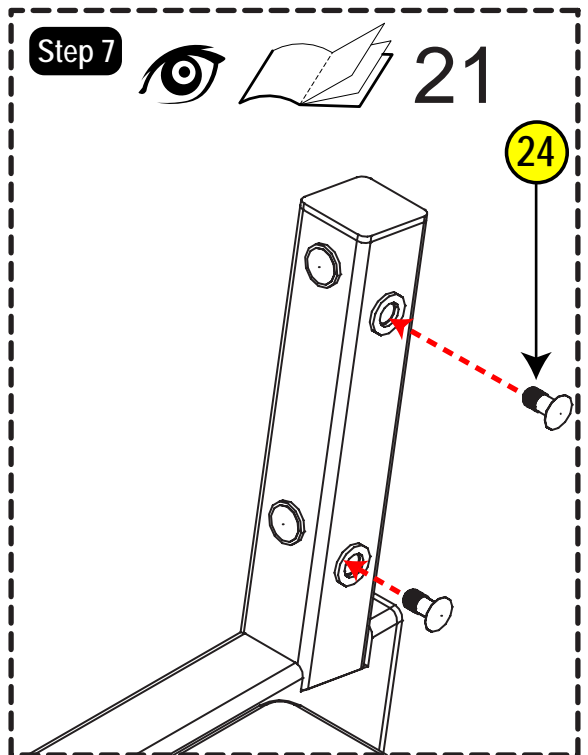
Step 5




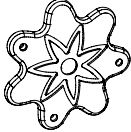

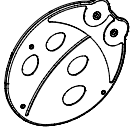
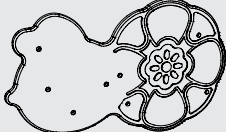
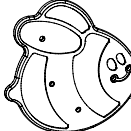

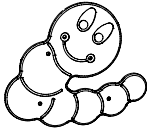
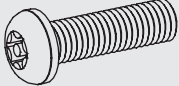
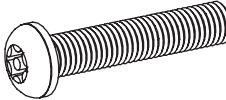
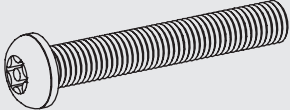


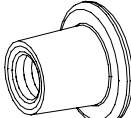
Step 6

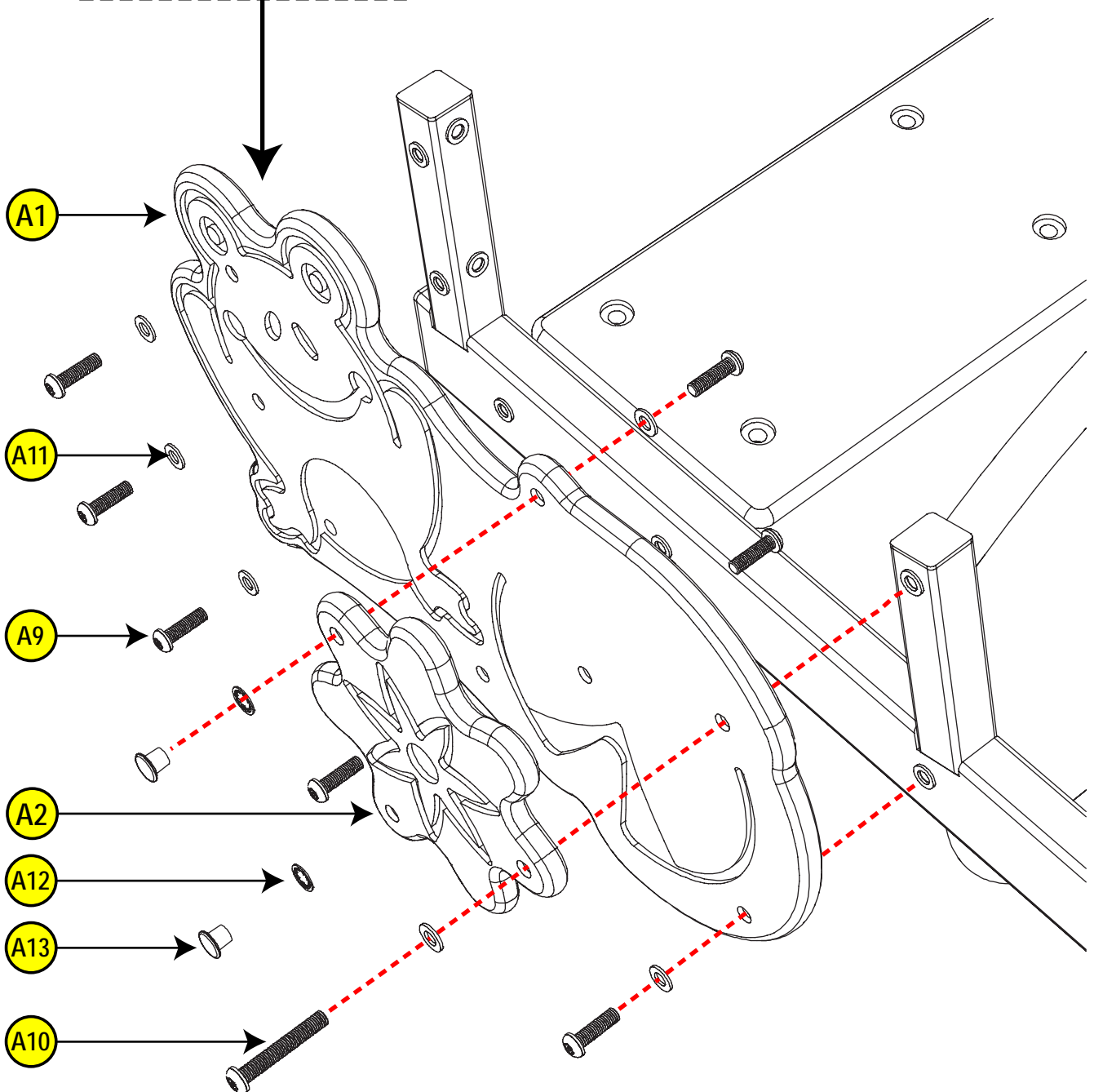
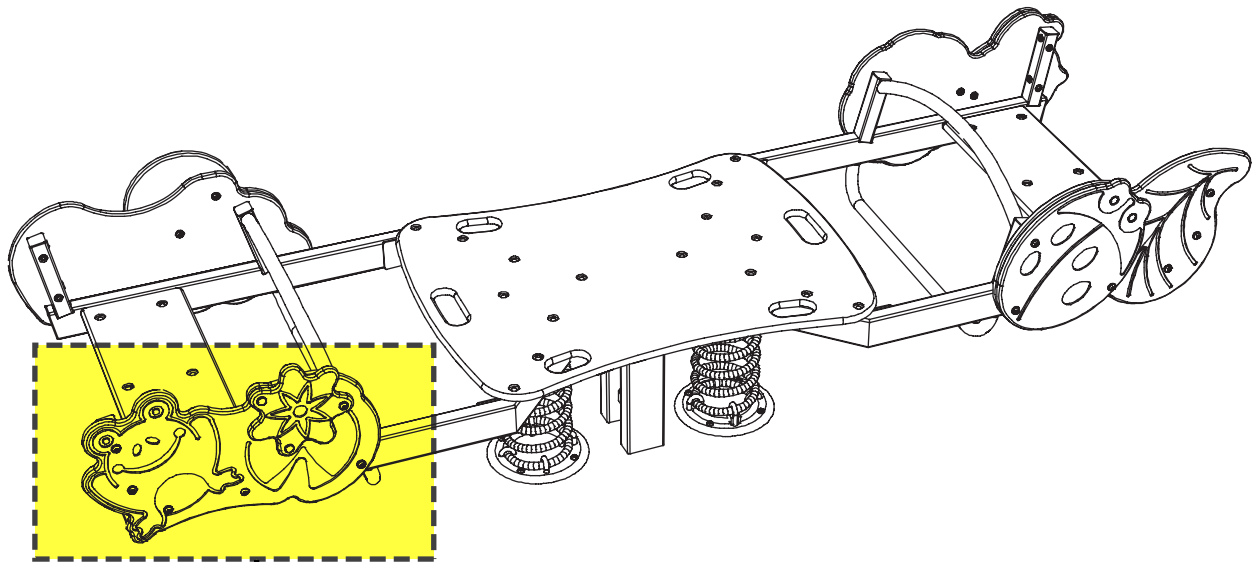


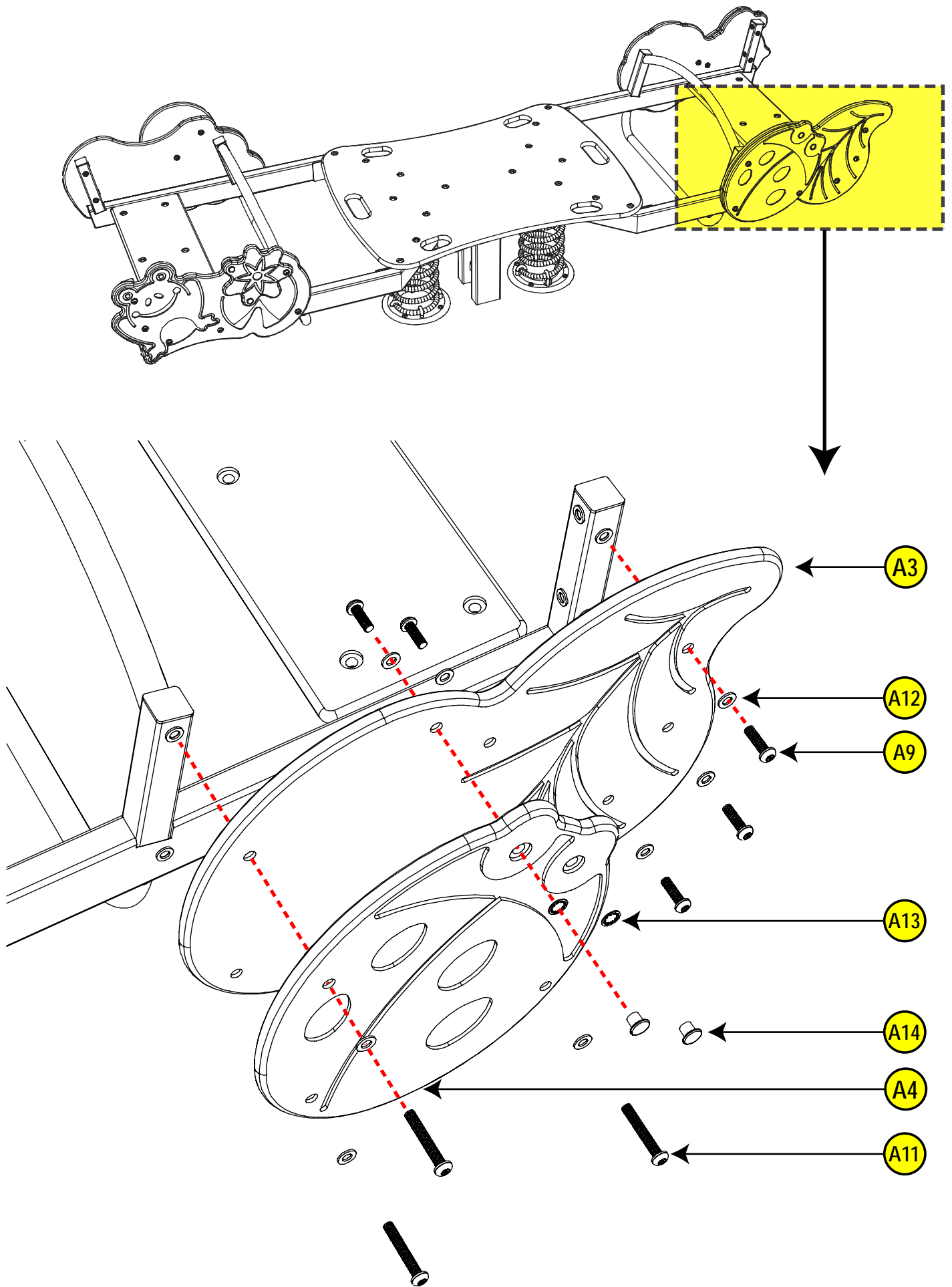
Step 7



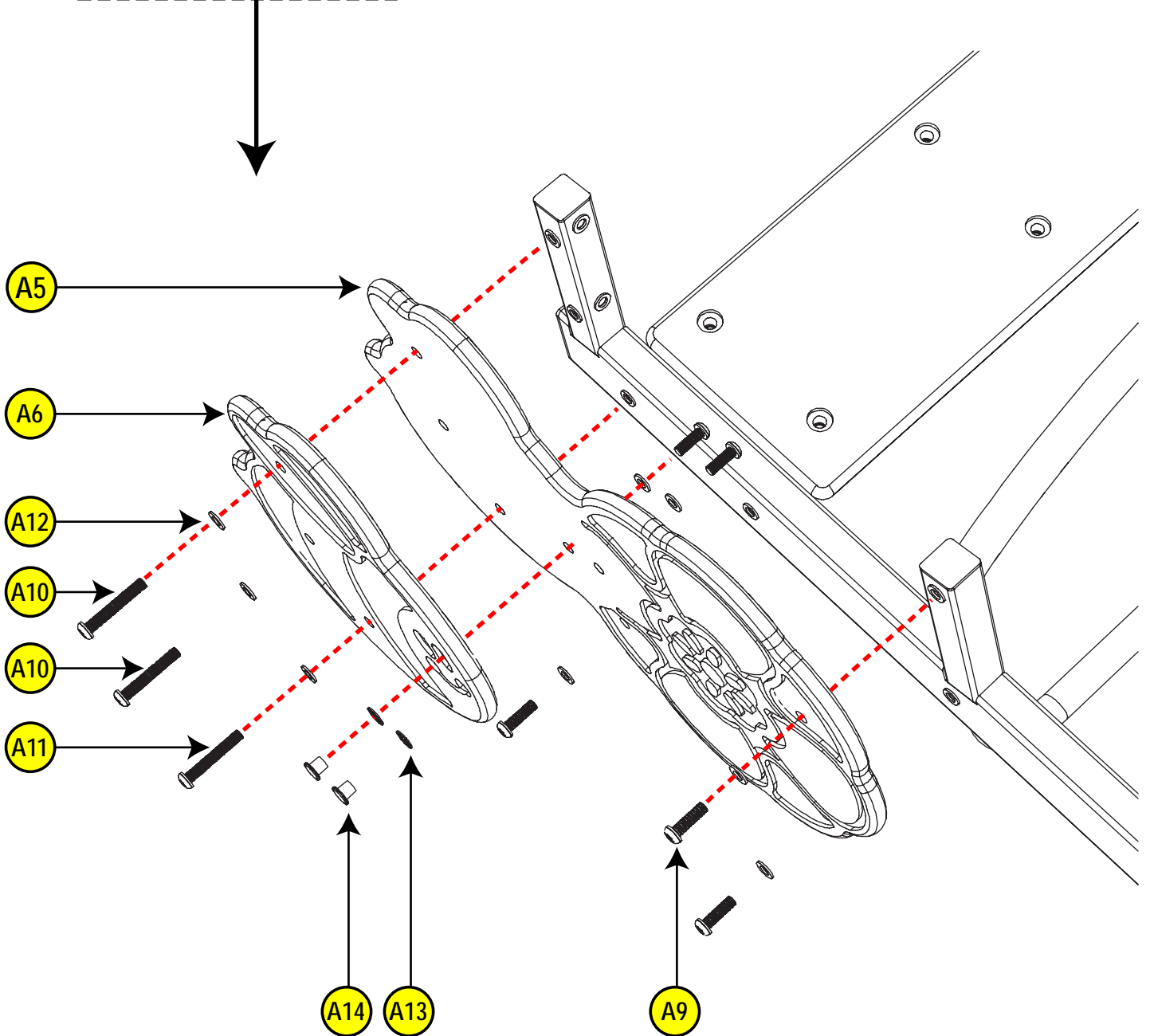
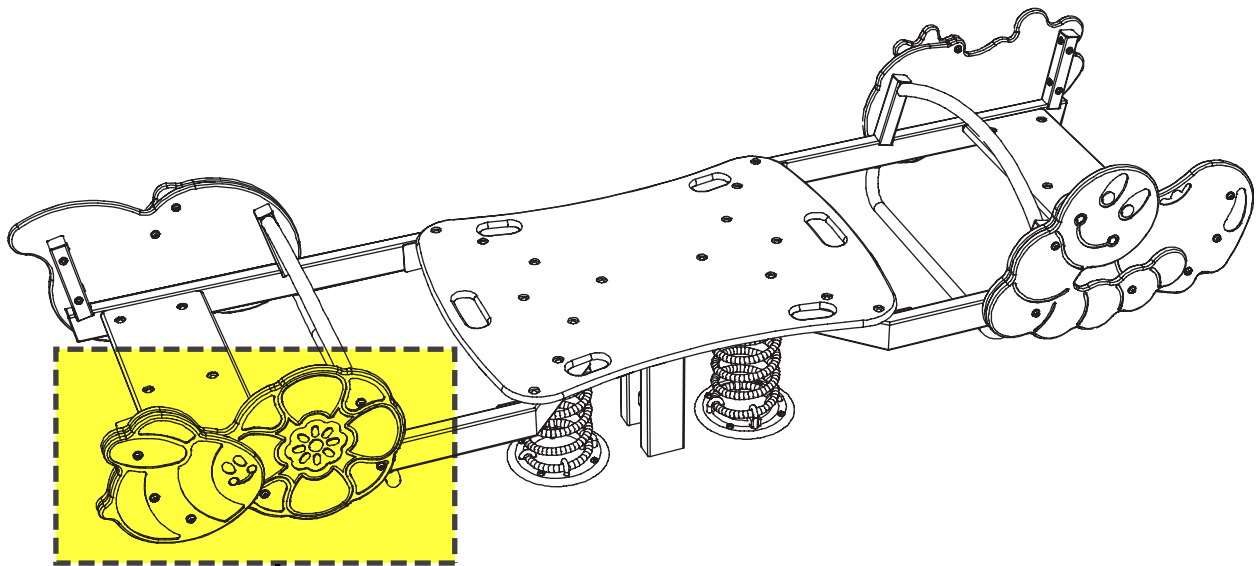
# Appendix A: 86401003

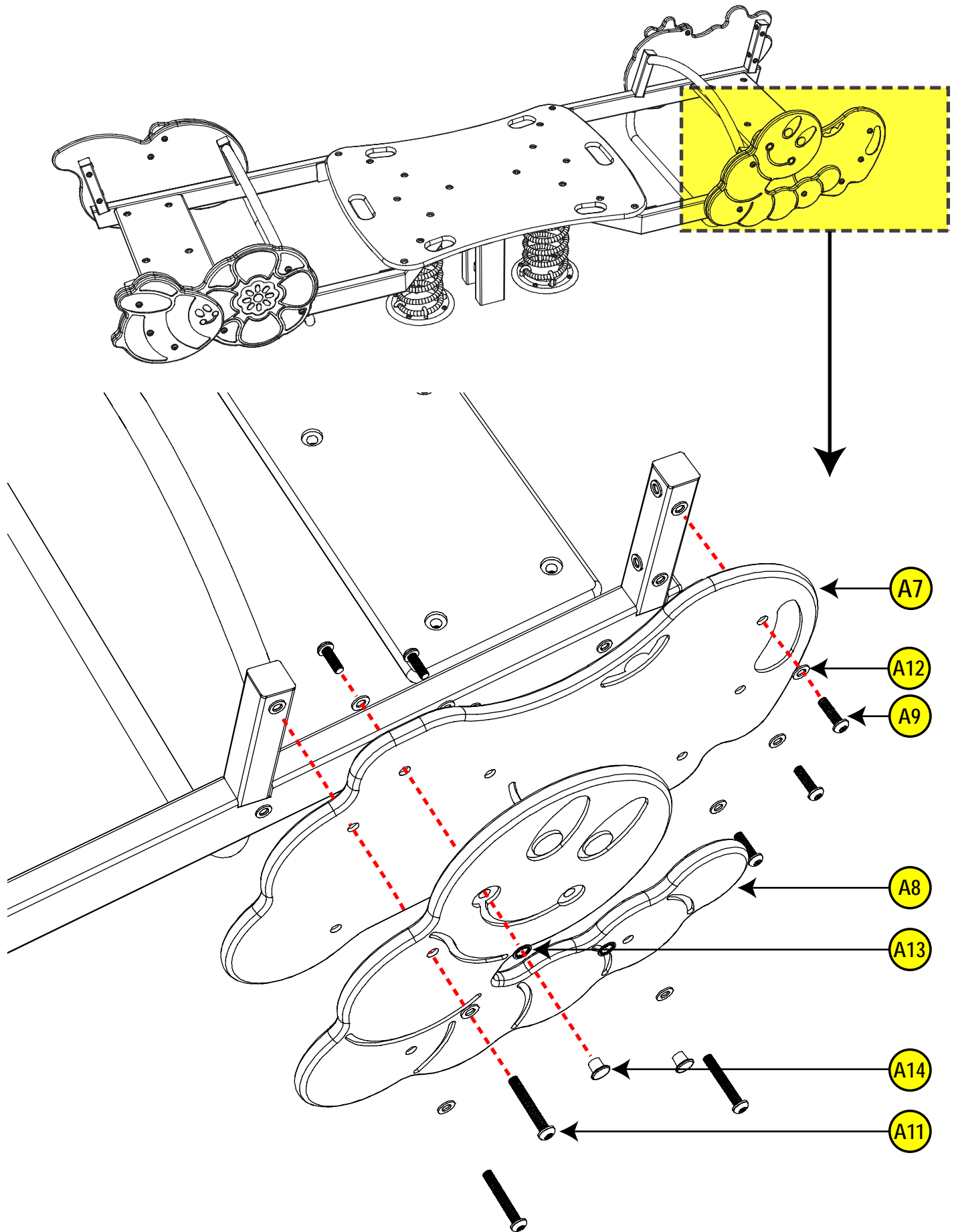
ITEM	REF	PART	QTY.	Kg.
A1	86402004		1	3.4
A2	86402005		1	0.6
A3	86402006		1	3.9
A4	86402007		1	2.02
A5	86402008		1	3.6
A6	86402009		1	1.5
A7	86402010		1	3.7
A8	86402011		1	2.75
A9	10121035	 M10 X 35	22	0.032
A10	10121050	 M10 X 50	2	0.035
A11	10131065	 M10 X 65	8	0.039
A12	10291000	 M10 - 11 X 21 X 1	32	0.002
A13	10391200	 M12 - 14 X 21 X 2	8	0.001
A14	10931000-S		8	0.012



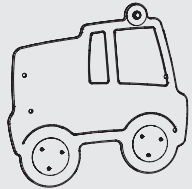
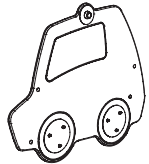
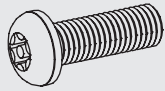

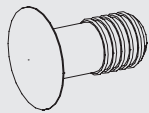


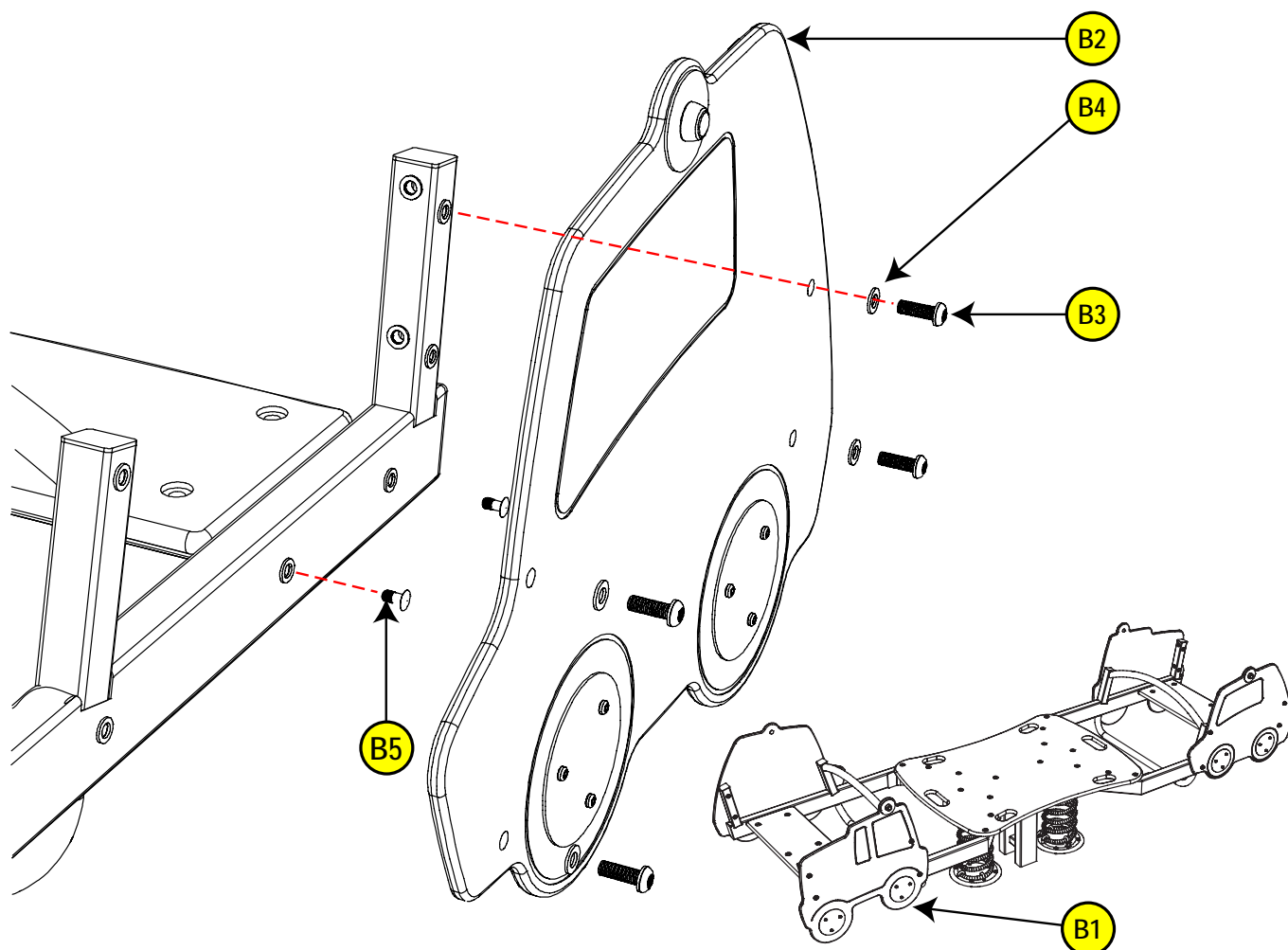








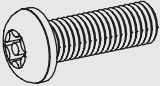

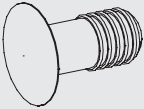


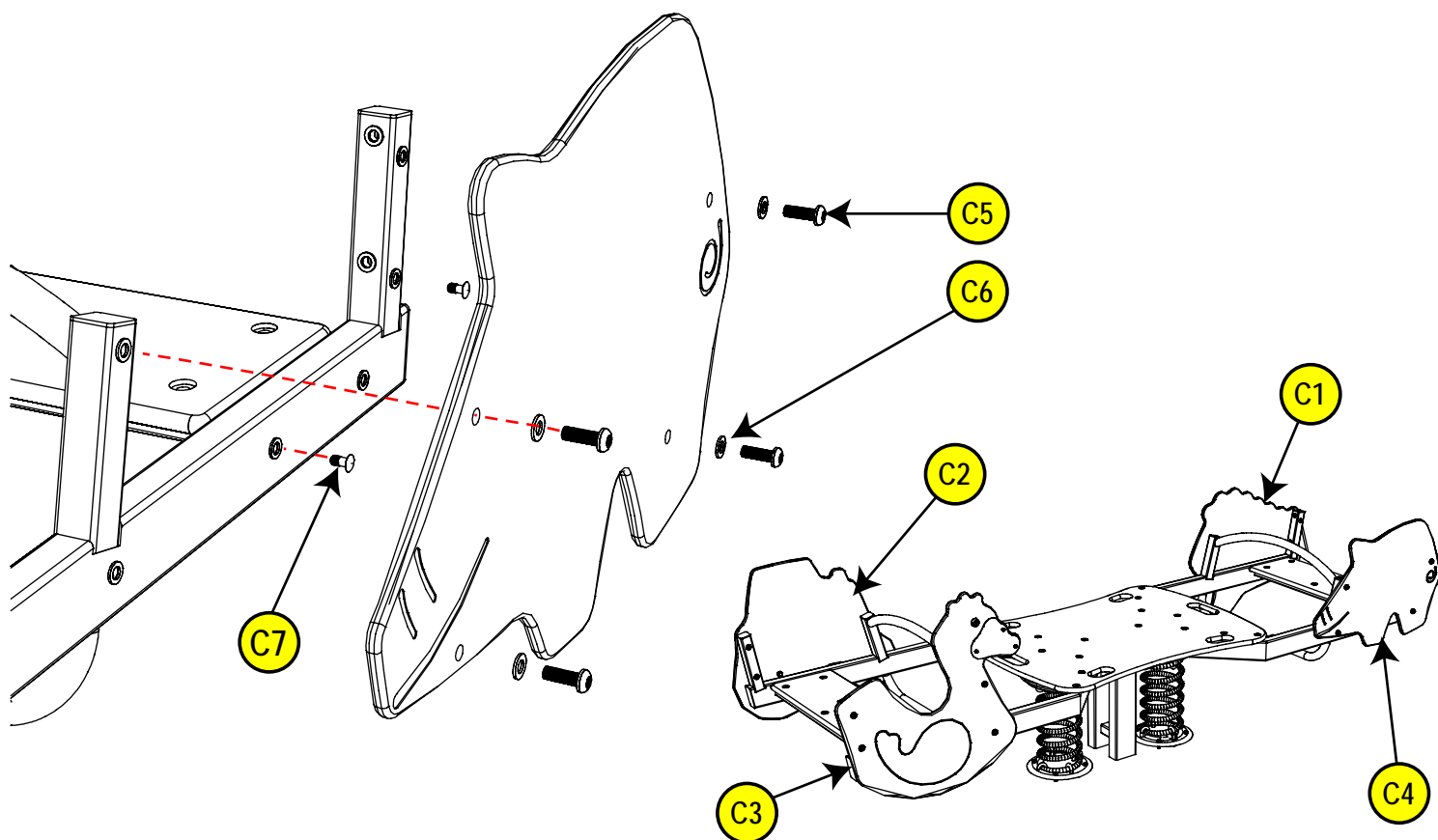
# Appendix B: 8050885

ITEM	REF	PART	QTY.	Kg.
B1	8045061		2	4.46
B2	8045066		2	4.66
B3	10121030	 M10 x 30	24	0.028
B4	10291000	 M10 - 11 x 21 x 1	24	0.002
B5	19024501		8	0.001

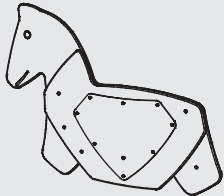
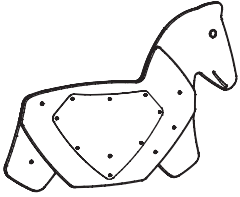
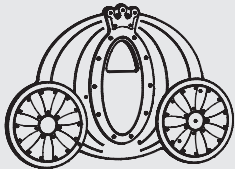
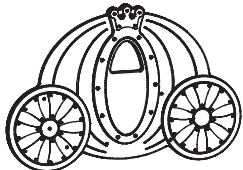
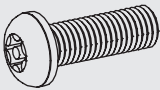
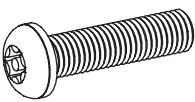



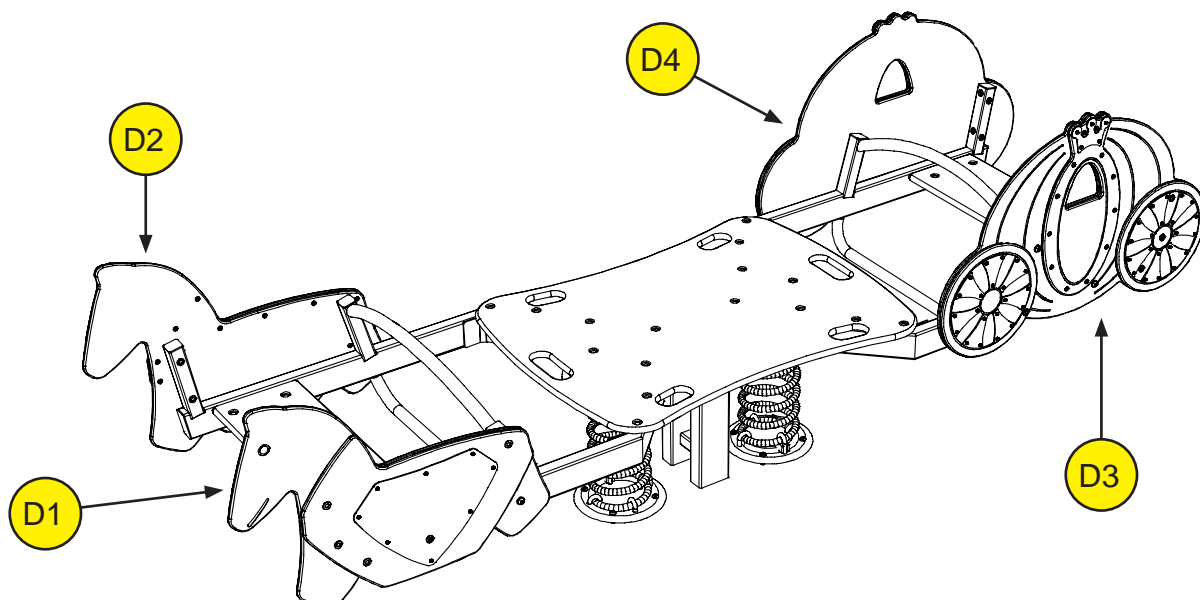
# Appendix C: 8050884

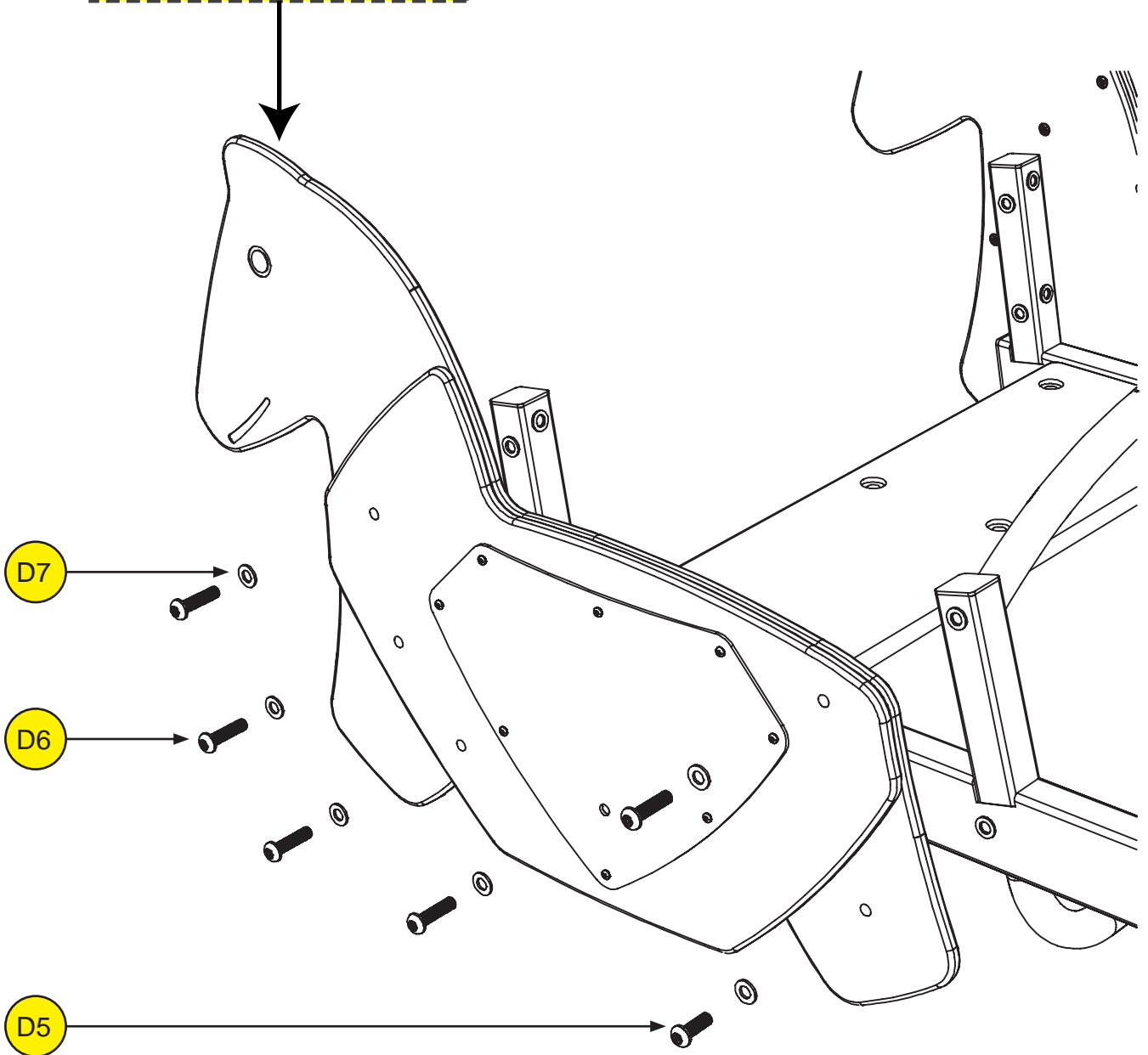
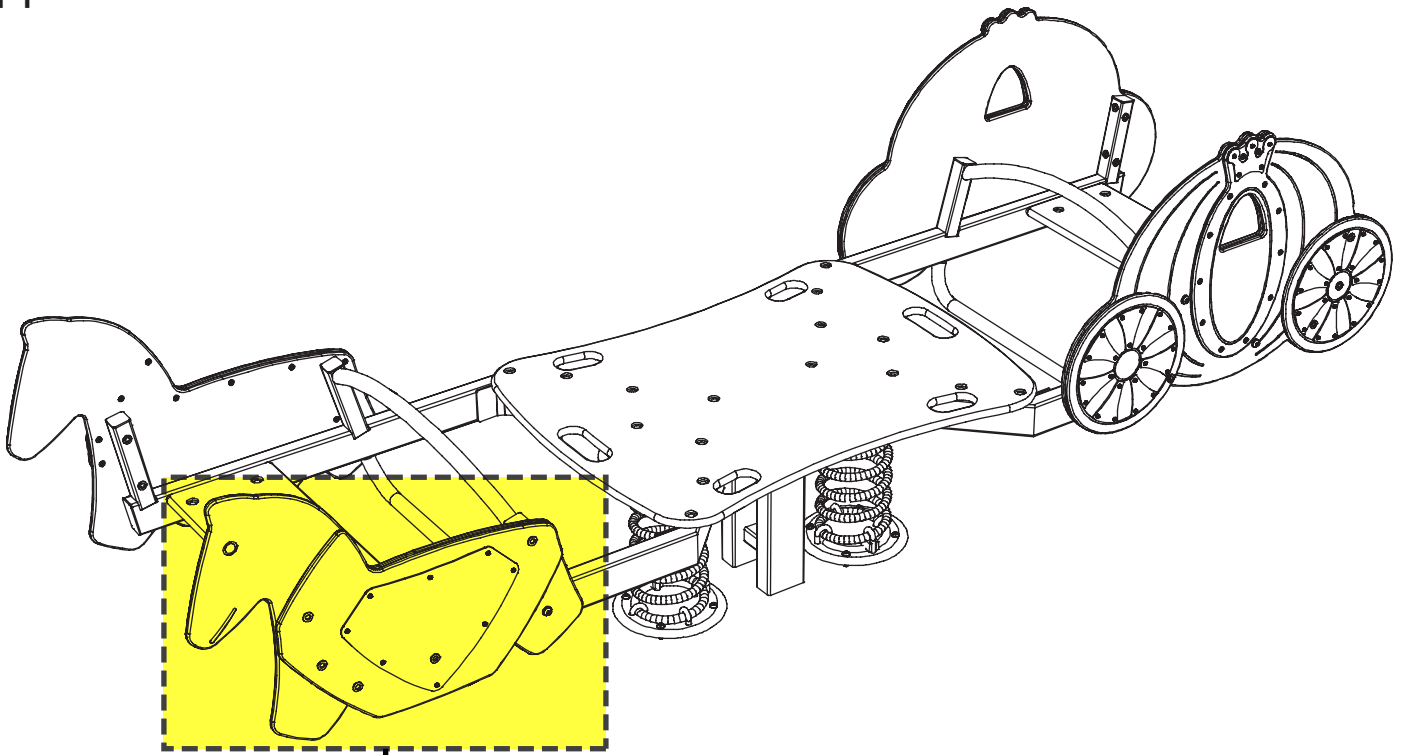
ITEM	REF	PART	QTY.	Kg.
C1	8045046		1	4.47
C2	8045050		1	4.58
C3	8045055		1	4.60
C4	8045053		1	4.14
C5	10121030	 M10 x 30	24	0.028
C6	10291000	 M10 - 11 x 21 x 1	24	0.002
C7	19024501		8	0.001

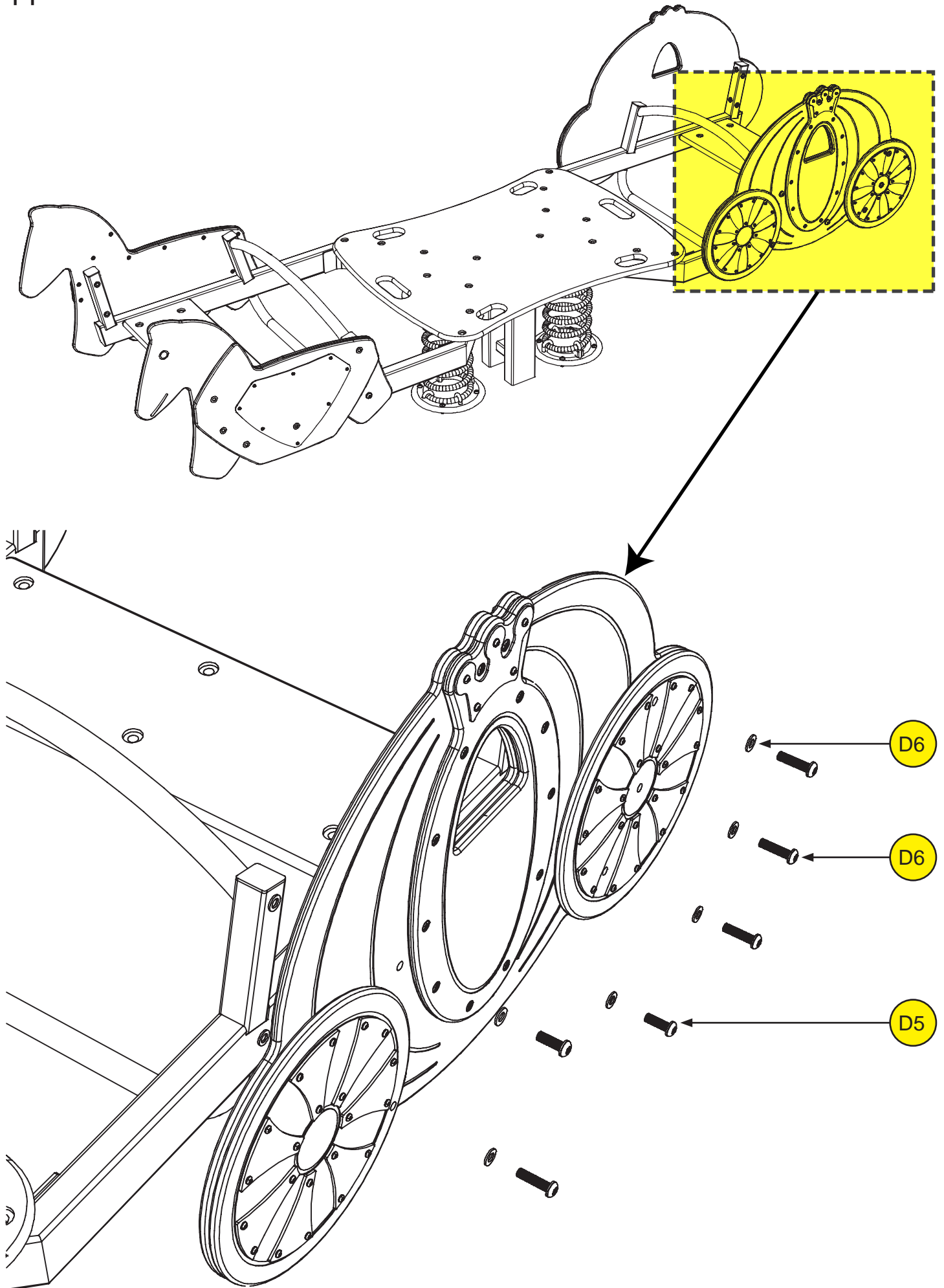


# Appendix D: 8056656

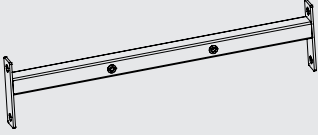
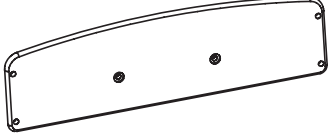
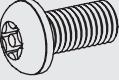
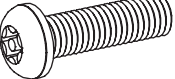

ITEM	REF	PART	QTY.	Kg.
D1	8056310		1	9.20
D2	8056311		1	9.20
D3	8056307		1	13.48
D4	8056309		1	13.48
D5	10121030	 M10 x 30	6	0.028
D6	10121040	 M10 X 40	18	0.032
D7	10291000	 M10 - 11 x 21 x 1	24	0.002

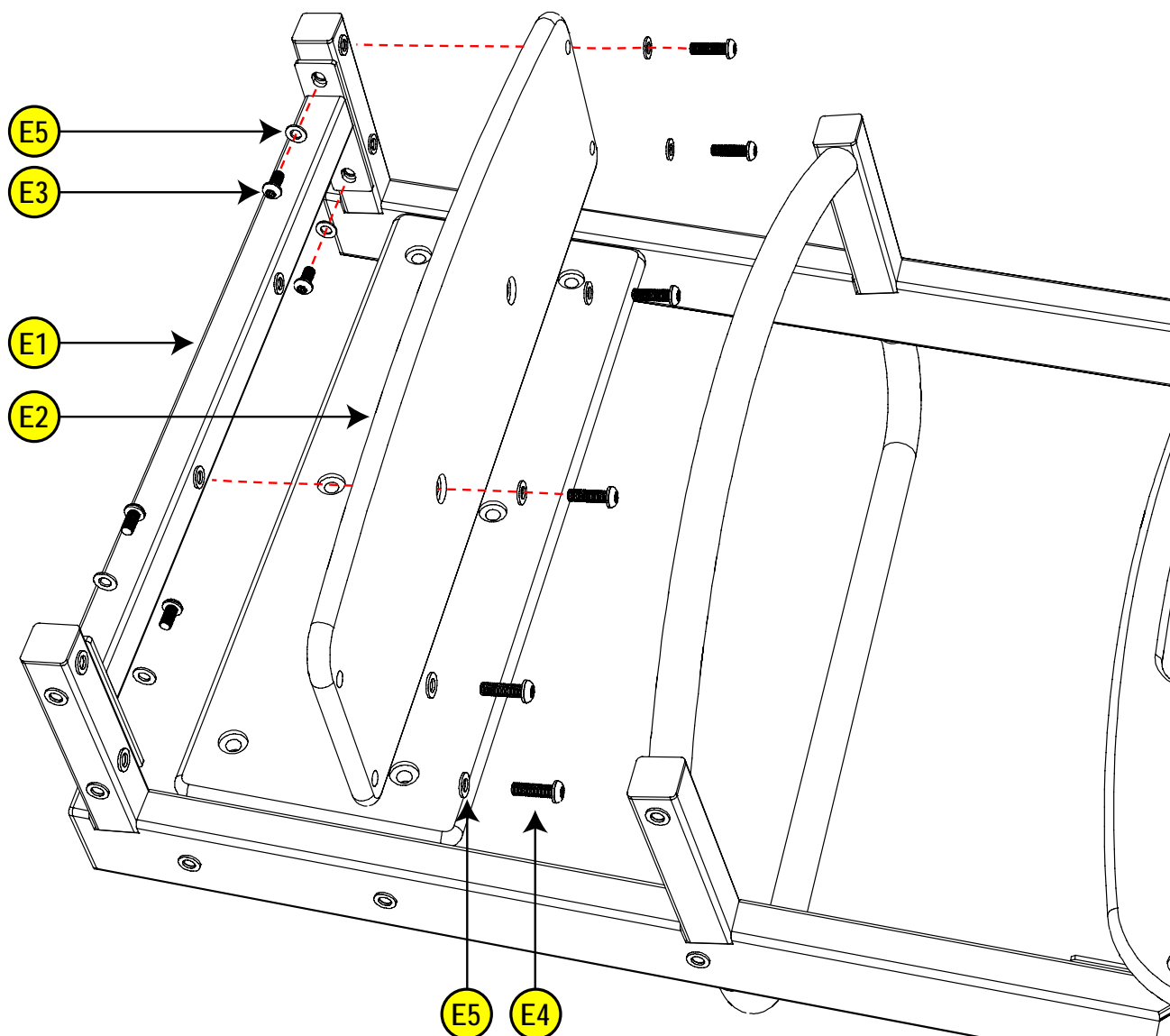






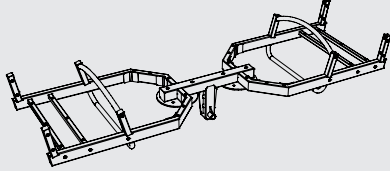
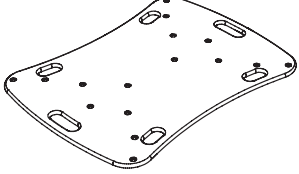
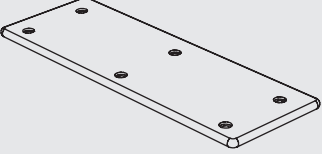
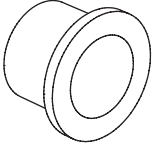
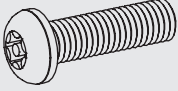

# Appendix E: SPMBACK/8044148

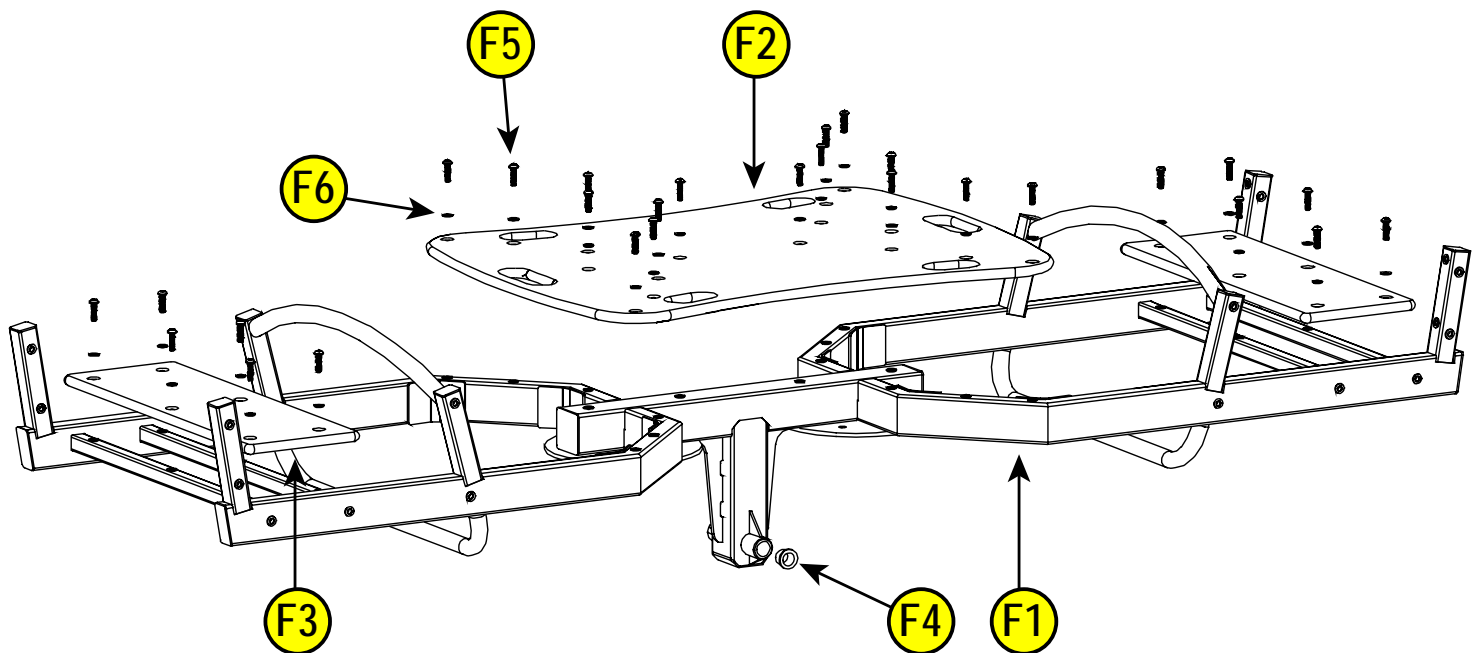
ITEM	REF	PART	QTY.	Kg.
E1	86403002		1	2.56
E2	86402003		1	3.15
E3	10121020	 M10 x 20	4	0.028
E4	10121035	 M10 x 35	6	0.032
E5	10291000	 M10 - 11 x 21 x 1	10	0.002



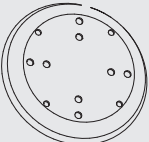
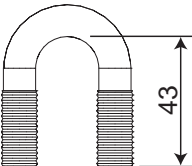
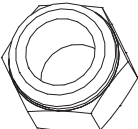
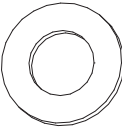
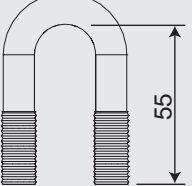
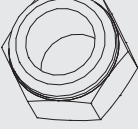
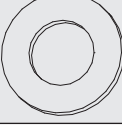
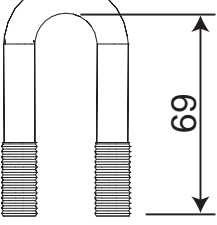
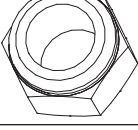
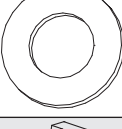

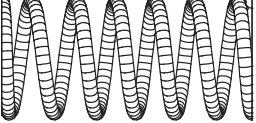


# Appendix F: 86401002

ITEM	REF	PART	QTY.	Kg.
F1	86403004		1	72
F2	86402001		1	12.5
F3	86402002		2	3
F4	15033025		2	0.047
F5	10121035	 M10 X 35	28	0.032
F6	10291000	 M10 - 11 x 21 x 1	28	0.002

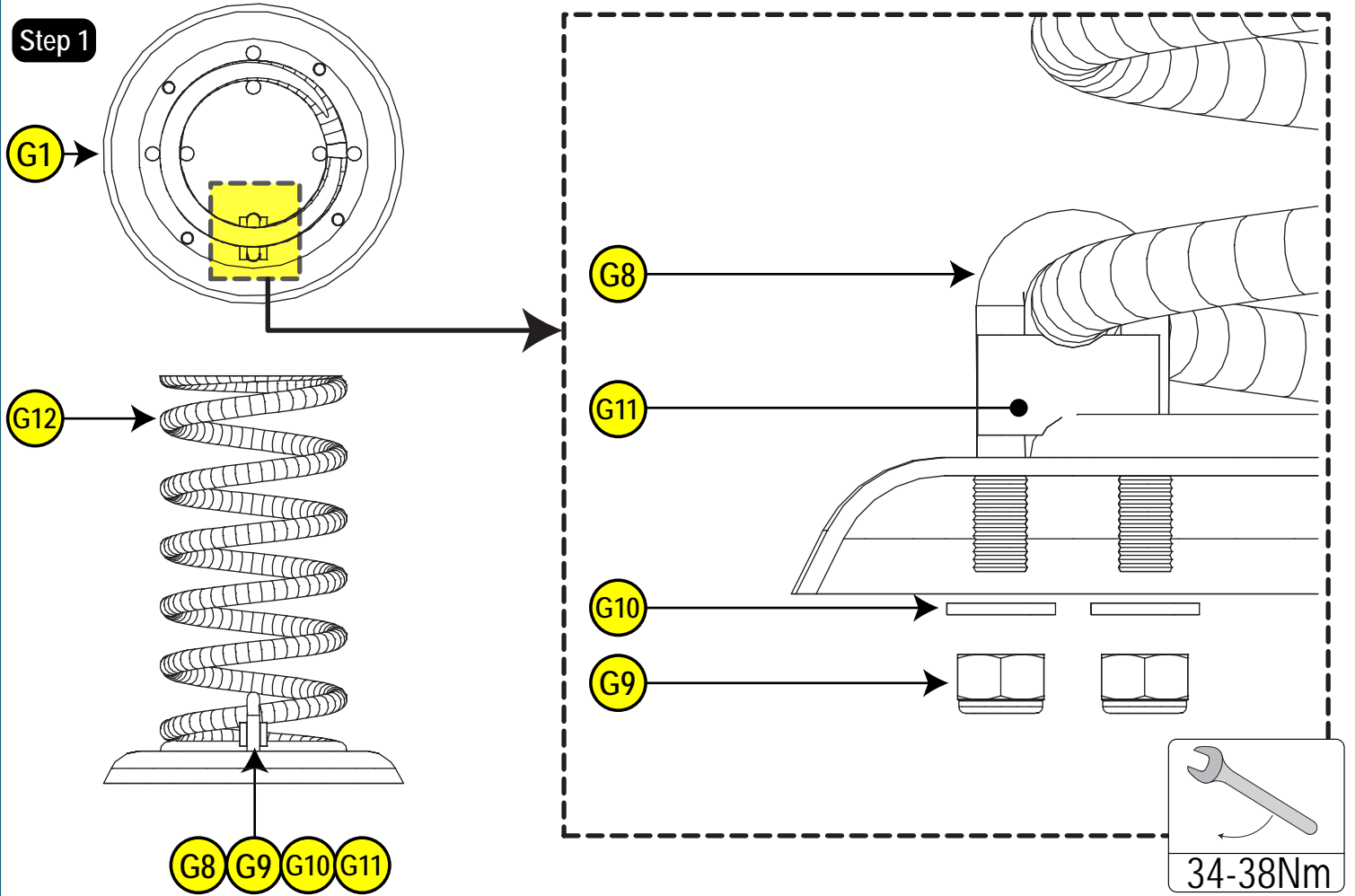


# Appendix G: 56029999

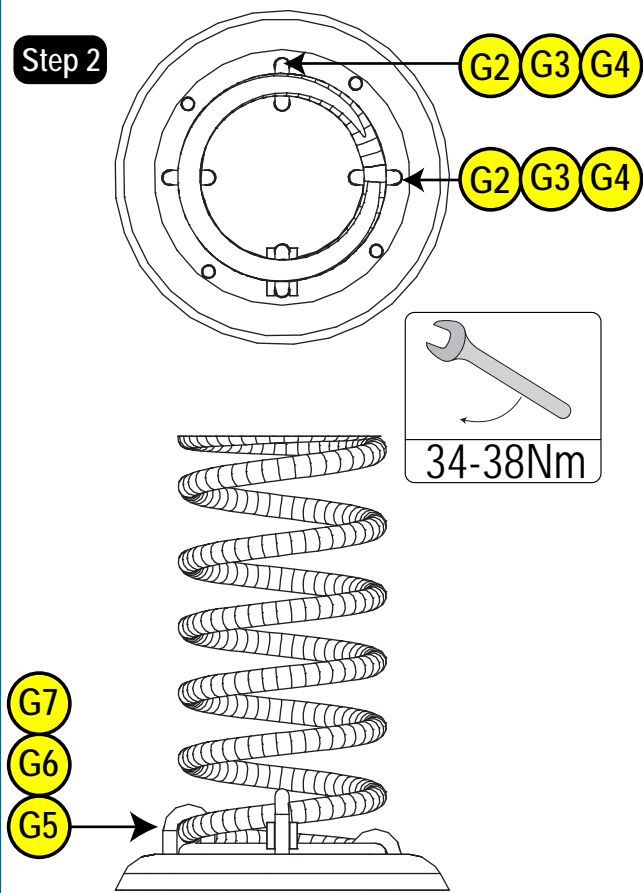
ITEM	REF	PART	QTY.	Kg.
G1	86009003		2	2.5
G2	86009006A		4	0.08
G3			8	0.01
G4			8	0.003
G5	86009006B		2	0.1
G6			4	0.01
G7			4	0.003
G8	86009006C		2	0.12
G9			4	0.01
G10			4	0.003
G11	86009007		2	0.001
G12	86009005		1	8

# Appendix F: 56029999

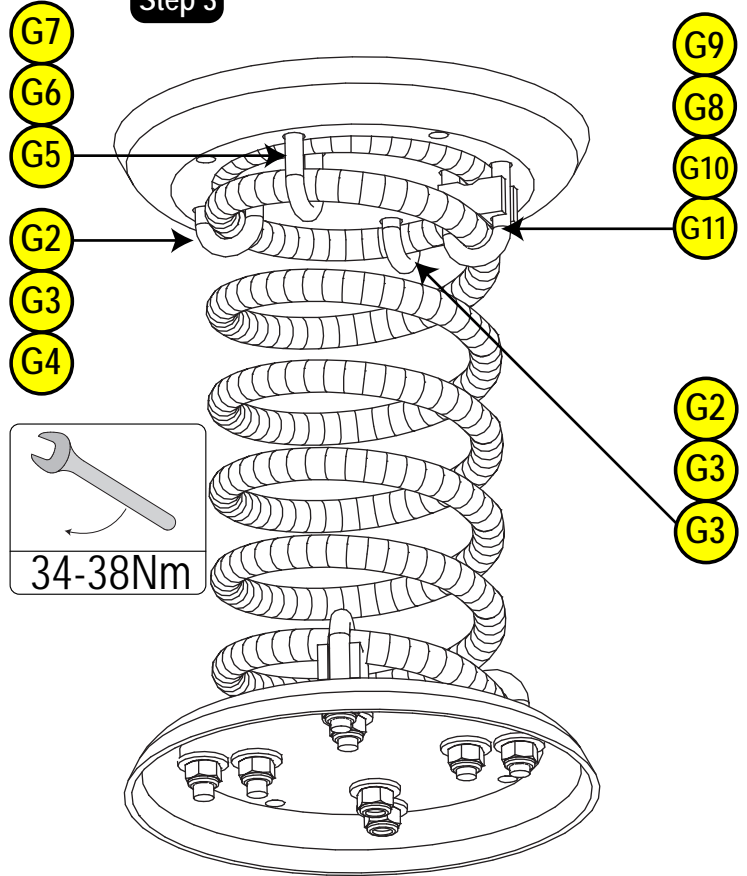
## Step 1



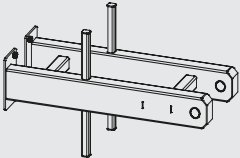
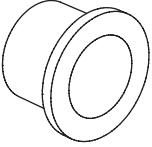
## Step 2

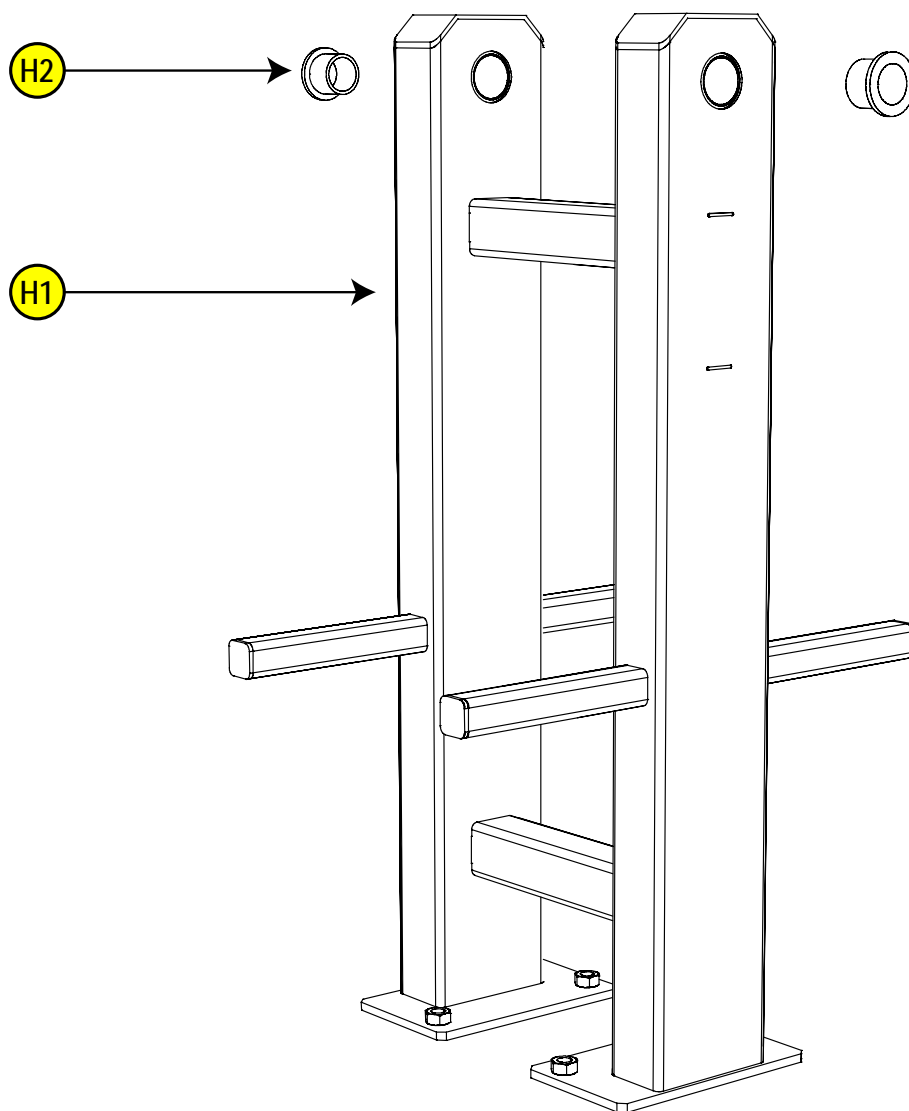


## Step 3

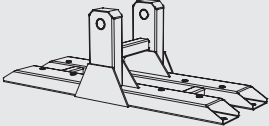
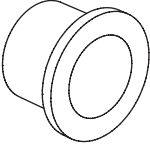


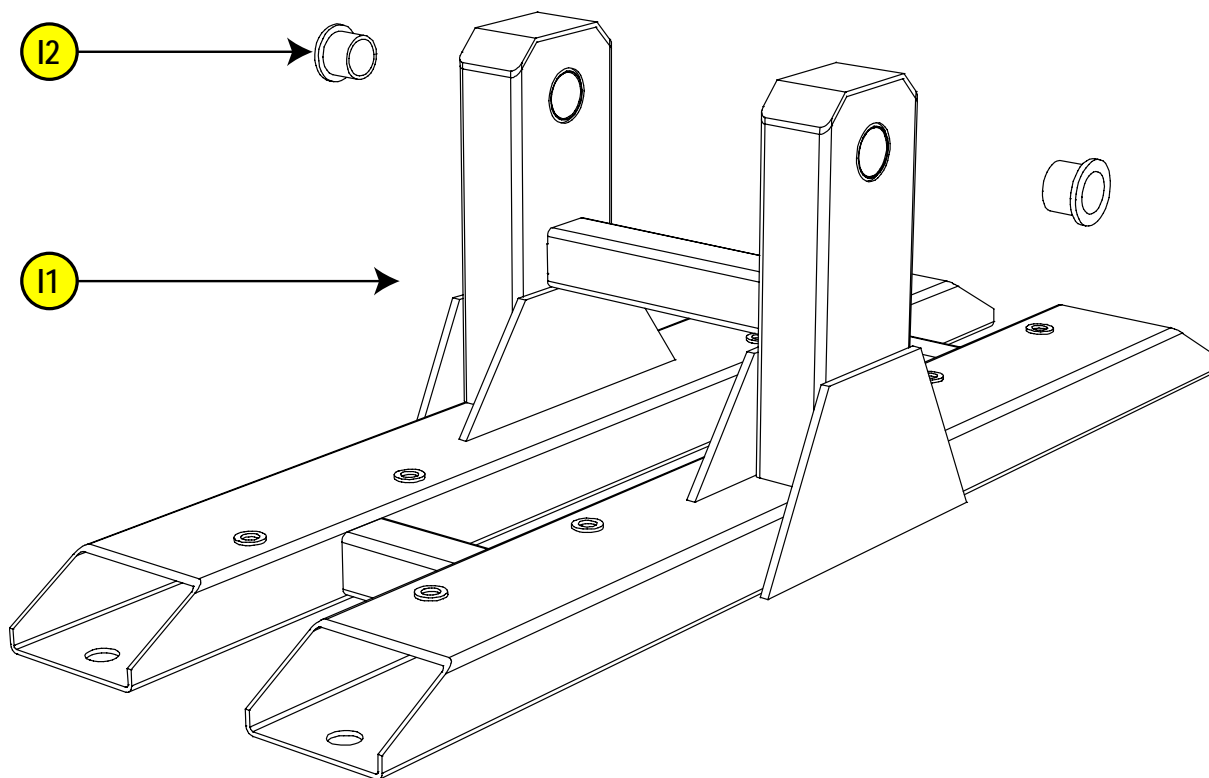
# Appendix H: 86401005

ITEM	REF	PART	QTY.	Kg.
H1	86403005		1	15
H2	15033025		2	0.047

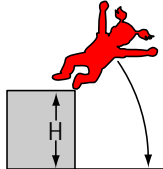


# Appendix I: 86401006

ITEM	REF	PART	QTY.	Kg.
I1	86403006		1	25
I2	15033025		2	0.047



# Appendix J



EN1176  
TYPE 1 & 2 - H=0.7m  
TYPE 3 & 4 - H=0.8m



**L1 = L2**  
**W1 = W2**

