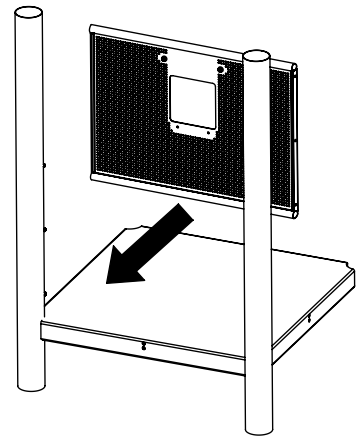
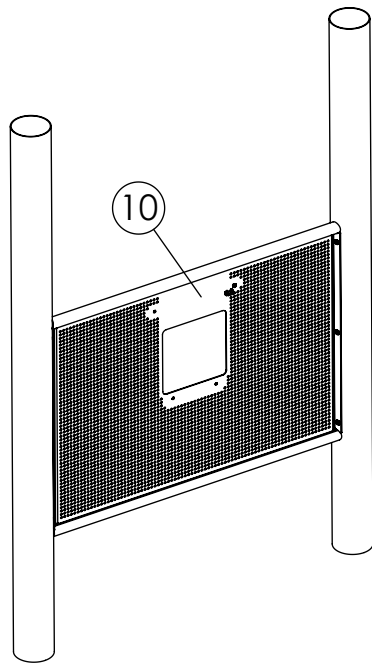


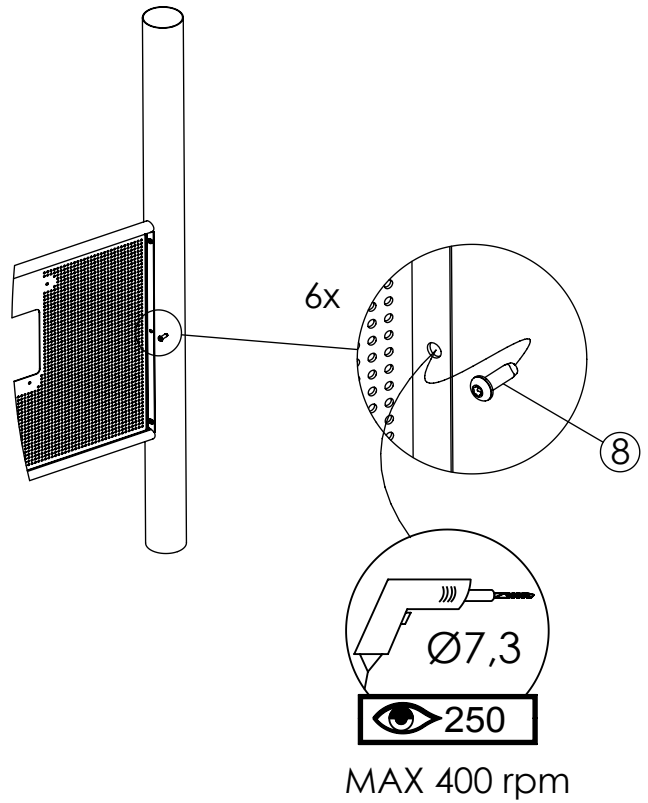
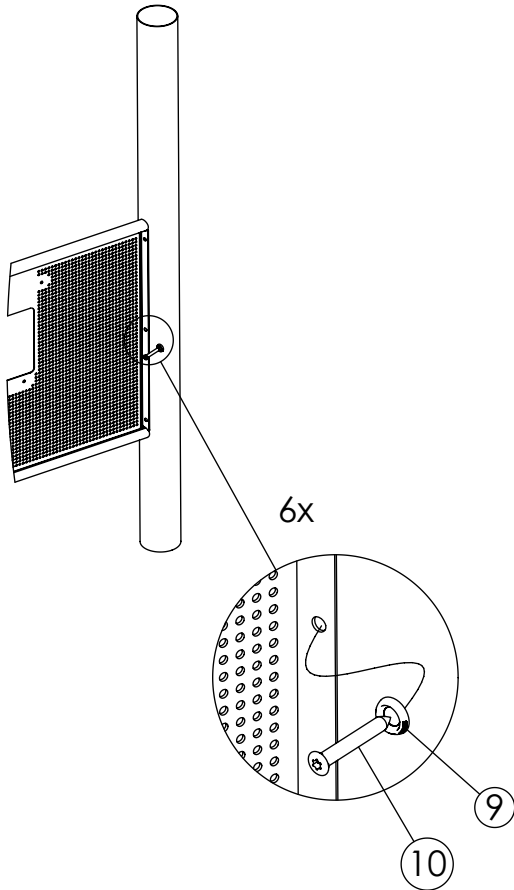
NR.	Description MA	Item Number	Qty
1	518x180 mm	8043254	1
2	46x46x40 mm	8043151	2
3	MVBF M6x20 mm	8008568	2
4	Cap 6 Ø6,5x21 mm	8005951	2
5	FZB Ø6,4x14x1,5 mm	8008848	2
6	M6LA2M M6 mm	8008794	2
7	Cover M6, Ø15x10mm	8005952 (261801)	2

<h1>HAGS</h1> <p>Sand hopper 450 801 10 1 (3)</p>	ANEBY, SWEDEN +46(0)380-47300 www.hags.com	
	<p> TJ MN 2017-11-28 1 </p>	



2A WOODEN POST

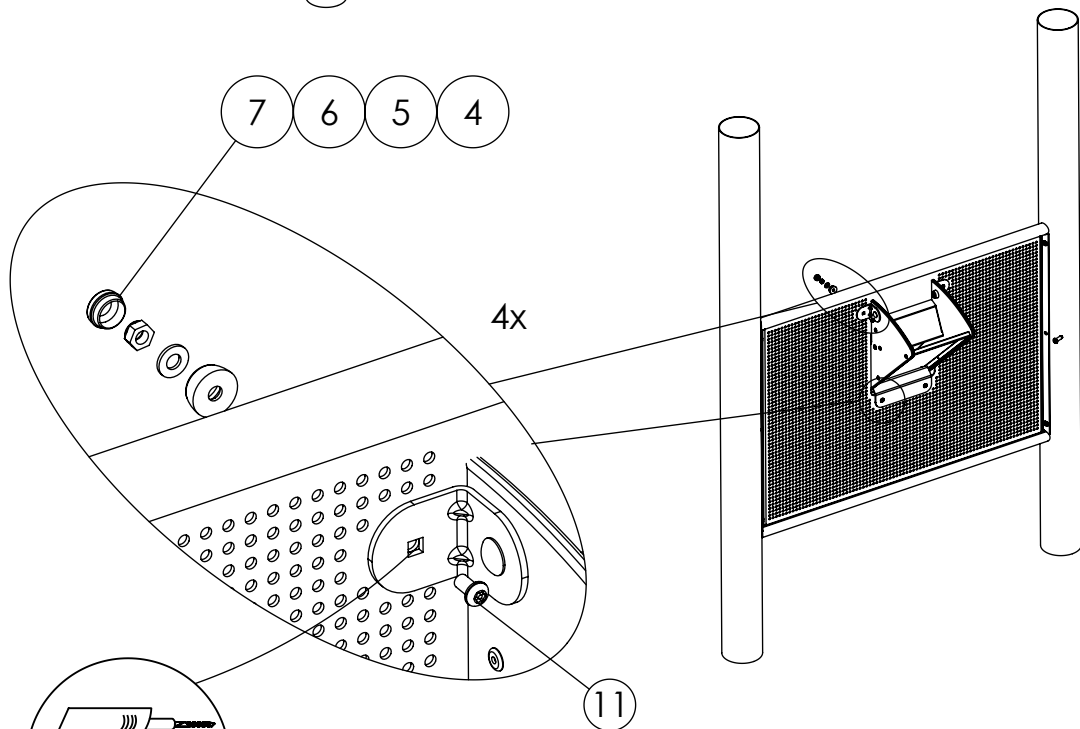
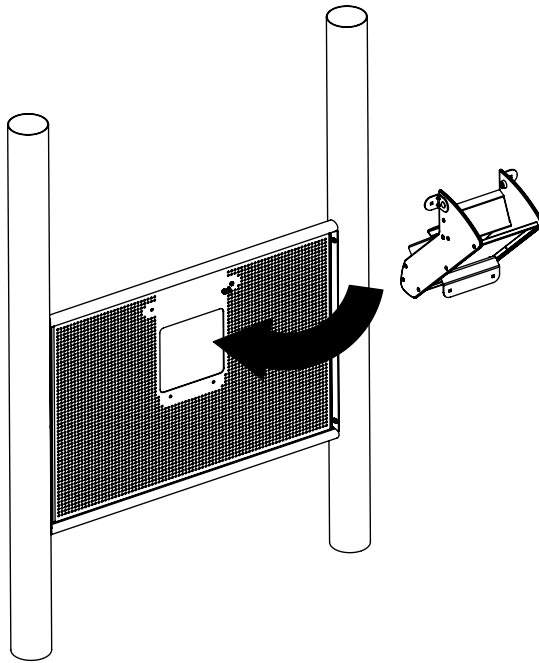
2B STEEL POST



NR.	Description MA	Item Number	Qty
8	Screw, thr-forming M8x25-8.8-(ISO7380)	8008506	6
9	Ø21.4 x Ø11 x 4,7 mm	8035288	6
10	Screw, wood, TKFT-8x60-8.8	8008646	6

HAGS		ANEBY, SWEDEN +46(0)380-47300 www.hags.com	
Sand hopper			
450 801 10			
2 (3)			
	TJ		MN 2017-11-28 1

3



Ø6,5
 250
 MAX 400 rpm

NR.	Description MA	Item Number	Qty
11	Screw, safety, ISO7380-Modif-M6x12-A2.70	8008668	4
4	Cap 6 Ø6,5x21 mm	8005951	4
5	FZB Ø6,4x14x1,5 mm	8008848	4
6	M6LA2M M6 mm	8008794	4
7	Cover M6, Ø15x10mm	8005952 (261801)	4

HAGS ANEBY, SWEDEN
 +46(0)380-47300
 www.hags.com

**Sand hopper
 450 801 10
 3 (3)**

Admin ToB 2017-11-28 1