
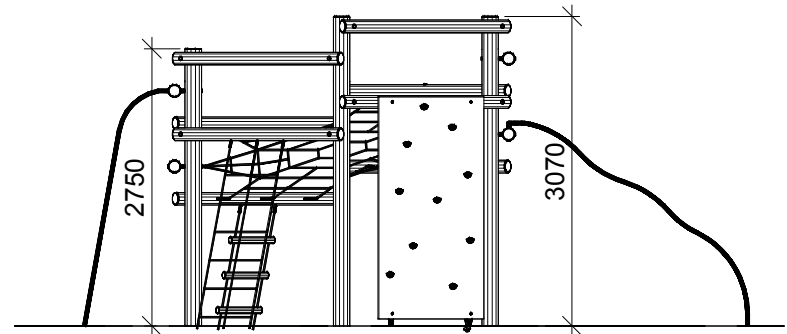
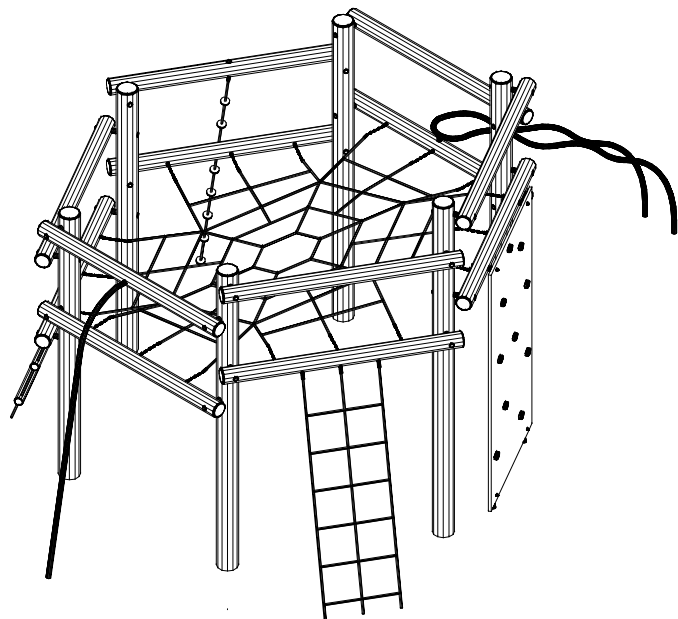


NORLEG	
Robinia klatresystem 6	
LE 20400	
11.02.2015	REV. -

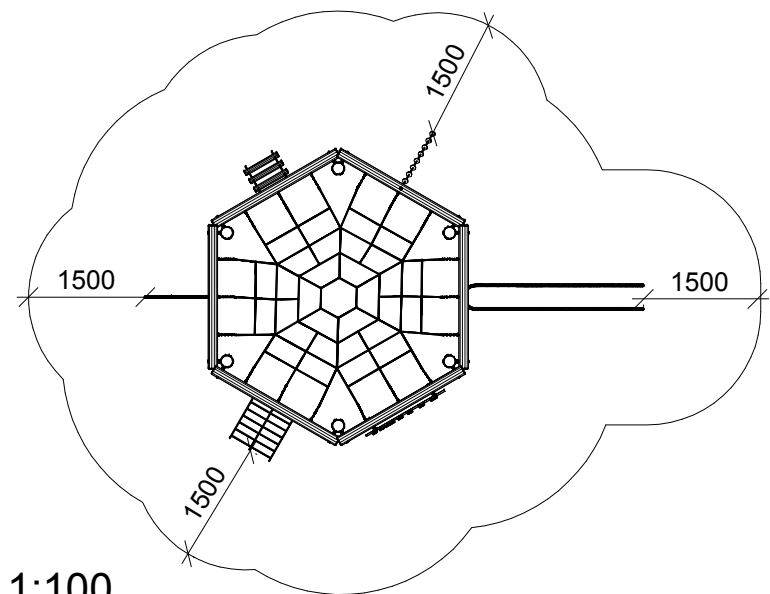
< 2300



≥ EN 1176




1:75



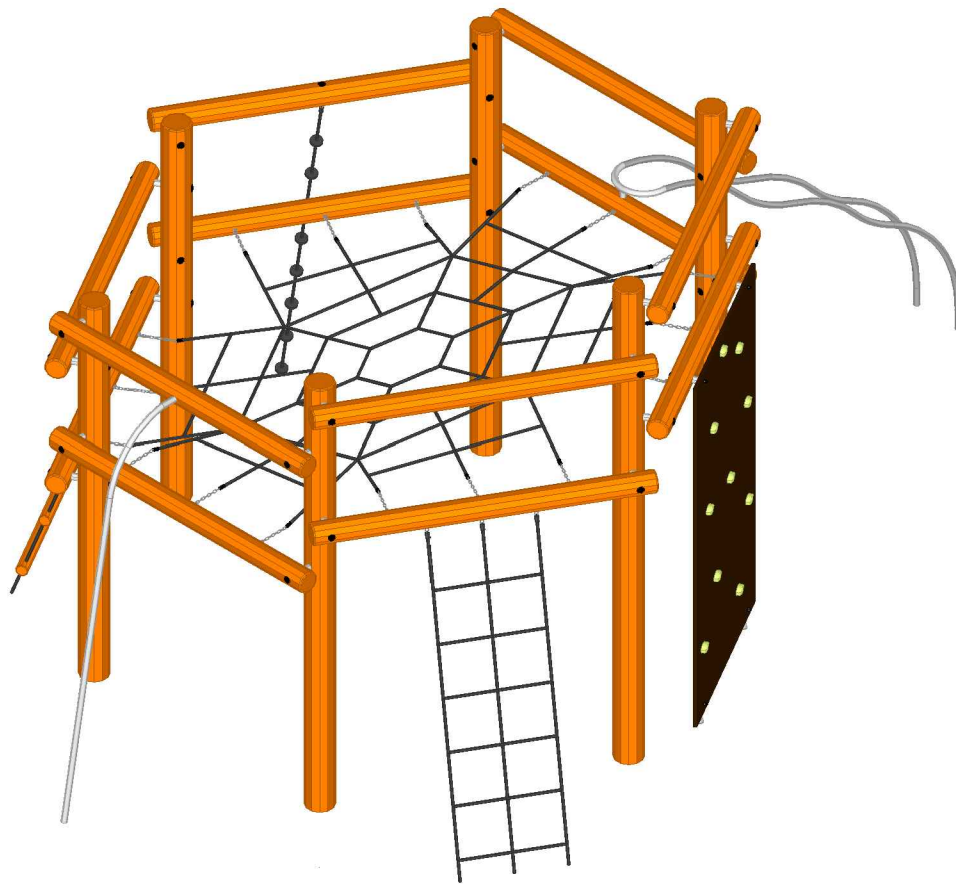
1:100

NORLEG	
Robinia klatresystem 6	
LE 20400	
11.02.2015	REV. -

< 2300




≥ EN 1176



This drawing is the property of NORLEG and pursuant to current legislation may not be copied, transferred to or used by any third party. Should this drawing be used, a fee of 10% of the assumed contract price will be charged.

NORLEG - Mont.	
Robinia klatresystem 6	
LE 20400	
11.02.2015	REV. -

< 2300



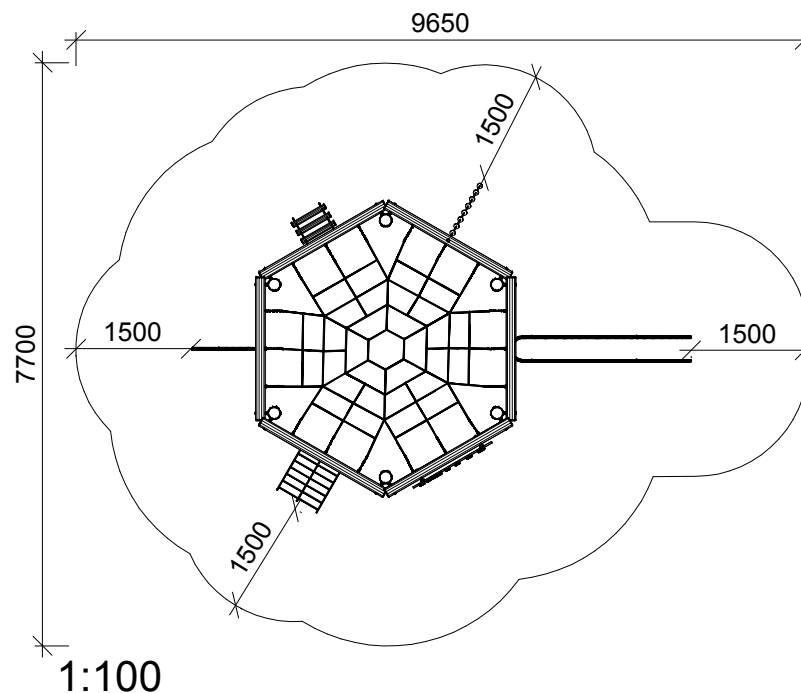
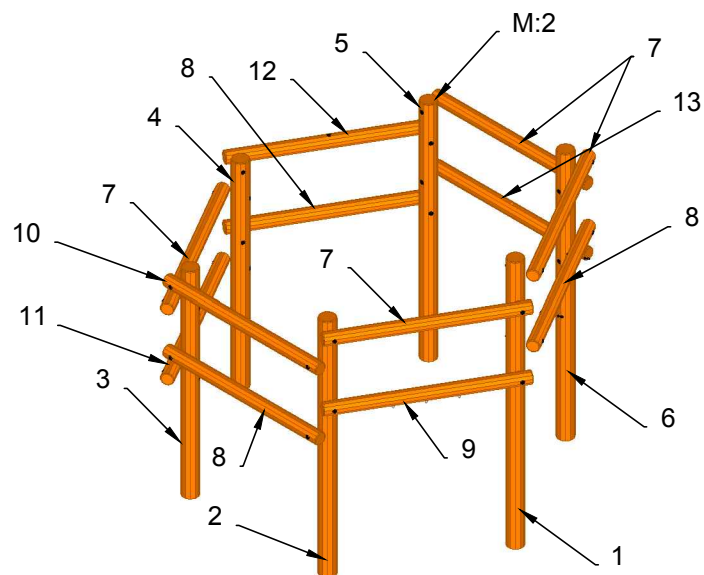
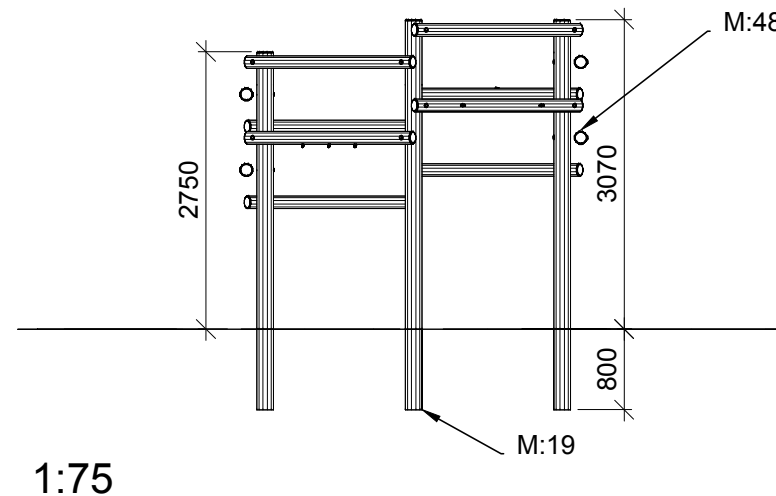
≥ EN 1176

Mont.p. nr.

2
19
48

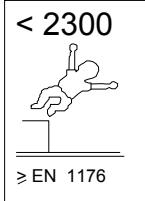
Parts list		
Mrk.	QTY	Part.no
1	1	160-180-3870
2	1	160-180-3550
3	1	160-180-3230
4	1	160-180-3230
5	1	160-180-3550
6	1	160-180-3870
7	4	120-140-1900

Parts list		
Mrk.	QTY	Part.no
8	3	120-140-1900
9	1	120-140-1900
10	1	120-140-1900
11	1	120-140-1900
12	1	120-140-1900
13	1	120-140-1900



This drawing is the property of NORLEG and pursuant to current legislation may not be copied, transferred to or used by any third party. Should this drawing be used, a fee of 10% of the assumed contract price will be charged.

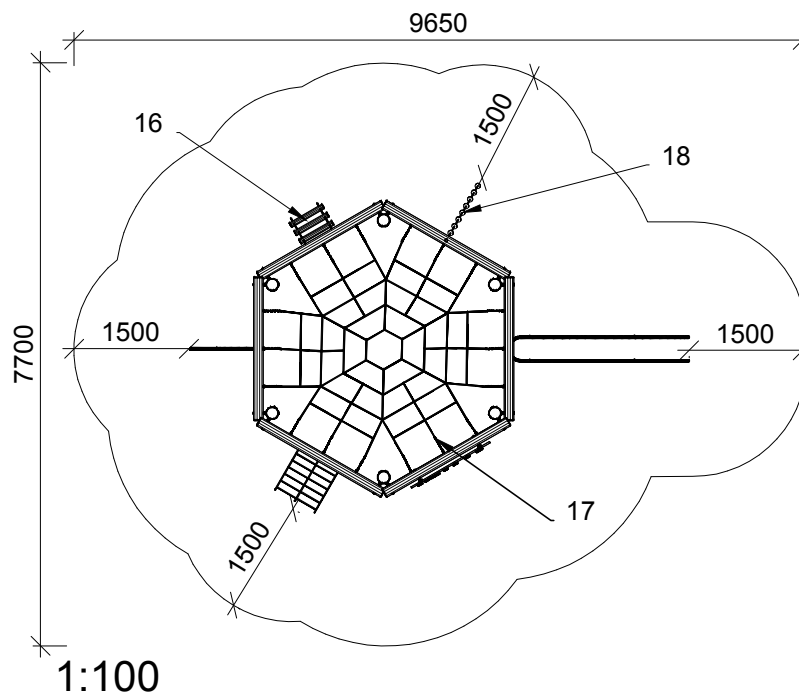
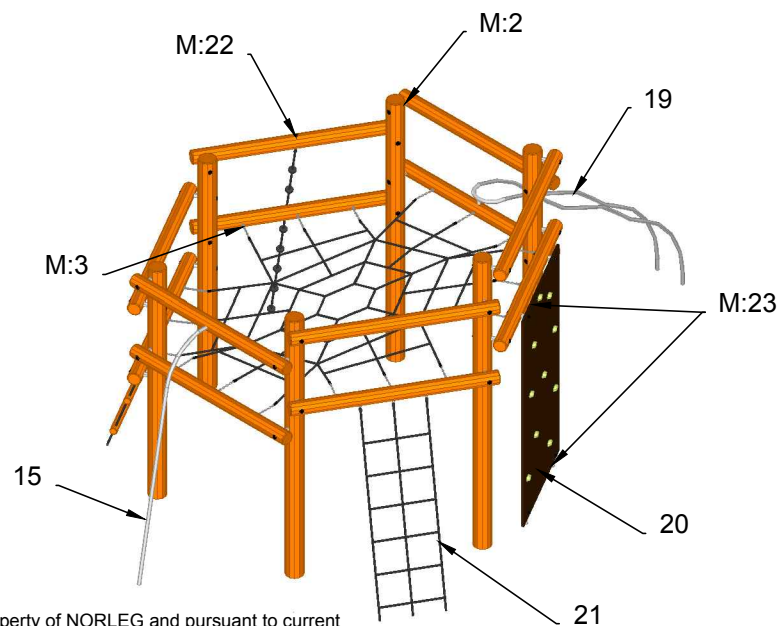
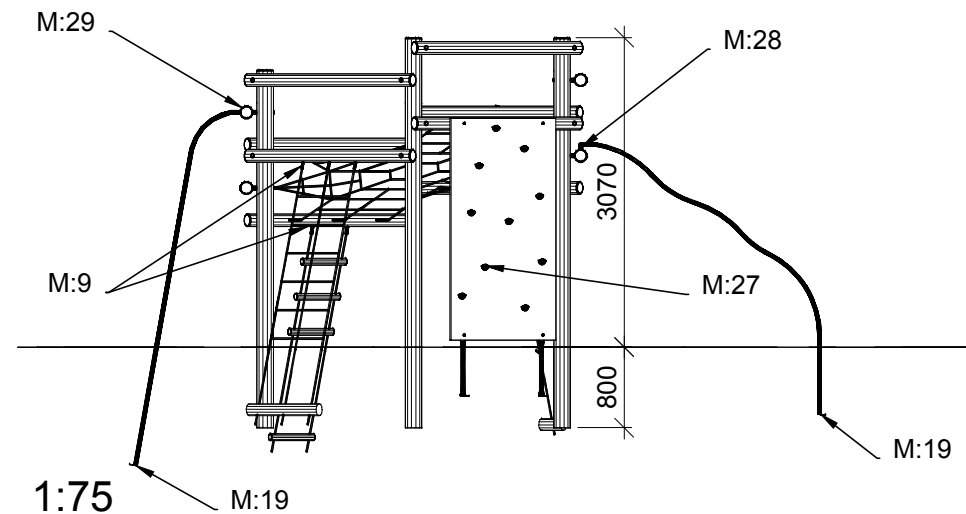
NORLEG - Mont.	
Robinia klatresystem 6	
LE 20400	
11.02.2015	REV. -



Mont.p. nr.

- 3
- 9
- 19
- 22
- 23
- 27
- 28
- 29

Parts list		
Mrk.	QTY	Part.no
15	1	LE 20370
16	1	LE 20364
17	1	LE 26000
18	1	LE 26026
19	1	LE 20372
20	1	LE 20360
21	1	LE 26022



This drawing is the property of NORLEG and pursuant to current legislation may not be copied, transferred to or used by any third party. Should this drawing be used, a fee of 10% of the assumed contract price will be charged.