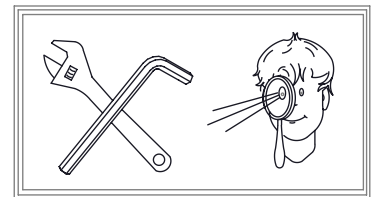


1h

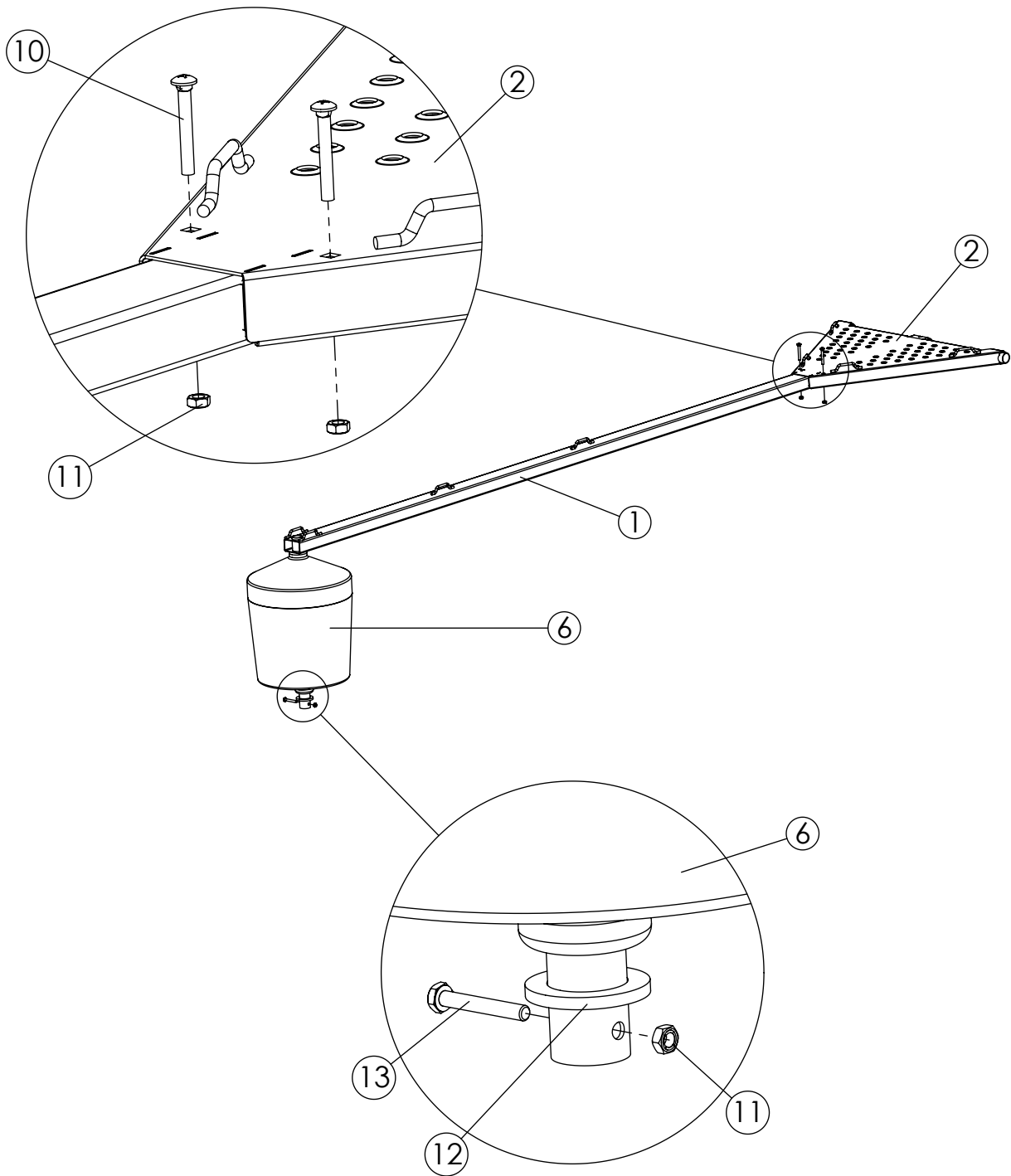


Varje säsong  
Every season  
Jedes Jahr  
Chaque saison

NR.	Description MA	Item Number	QTY
1	Beam 4500 mm	8035403	1
2	1090x820 mm	8038060	1
3	171x140x124 mm	8038078	3
4	Ø51x30 mm	8038088	6
5	Ø20x110 mm	8038052	3
6	Float Ø500x700 mm (100l)	8034165	1
7	195x45x4 mm	8038083	1
8	M6S M12x130 mm	8008425	3
9	Lock Nut M12	8008797	3
10	MVBF M10x80 mm	8038094	2
11	Lock Nut M10	8038112	3
12	Ø52x80x8 mm	8038080	1
13	M6S M10x70 mm	8008385	1
14	Bridge	-	1

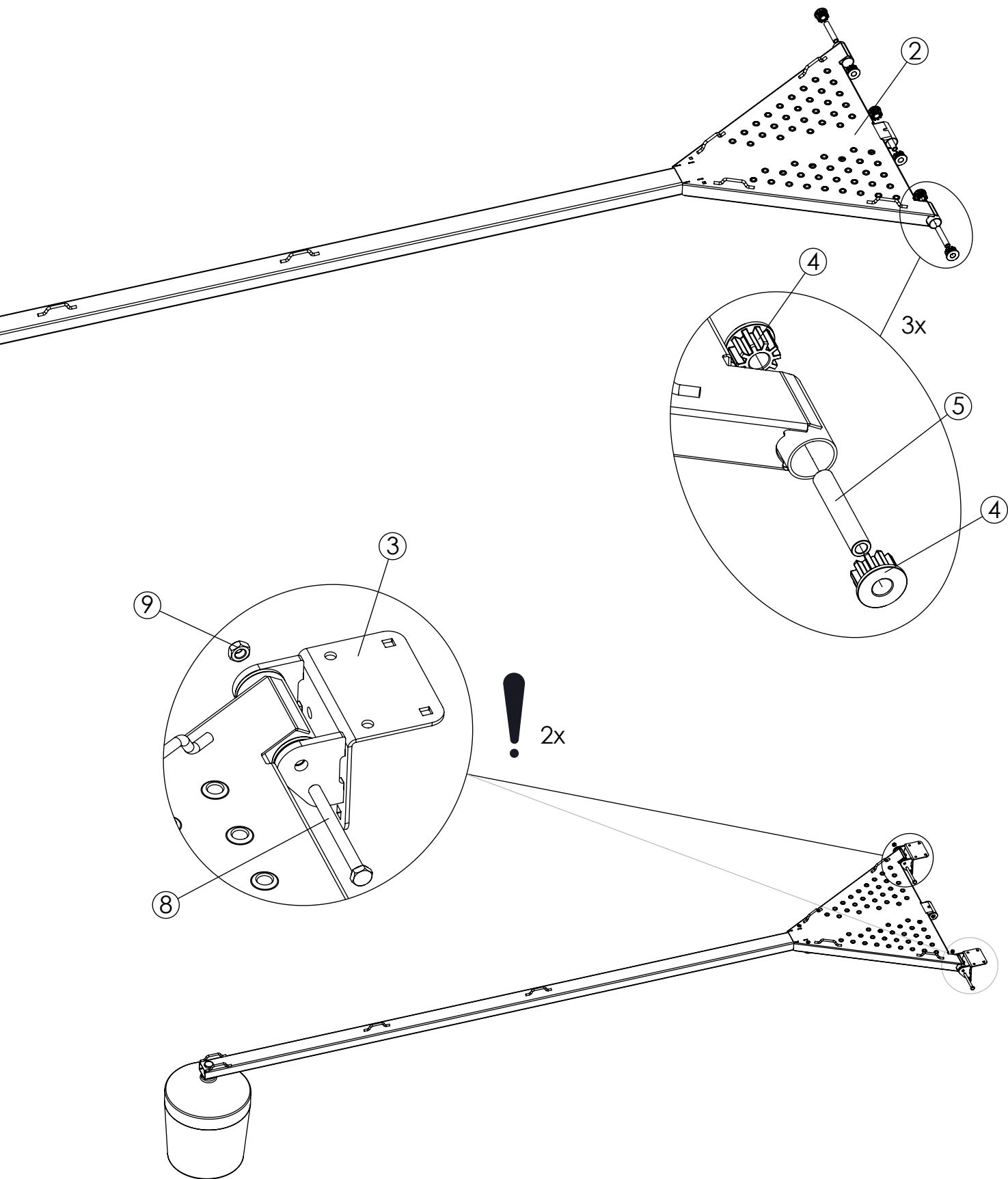
**HAGS** ANEBY,  
SWEDEN  
+46(0)380-  
47300  
www.hags.com

**Y-Beam 4,5m**  
**MASW29217**  
**1 ( 4 )**



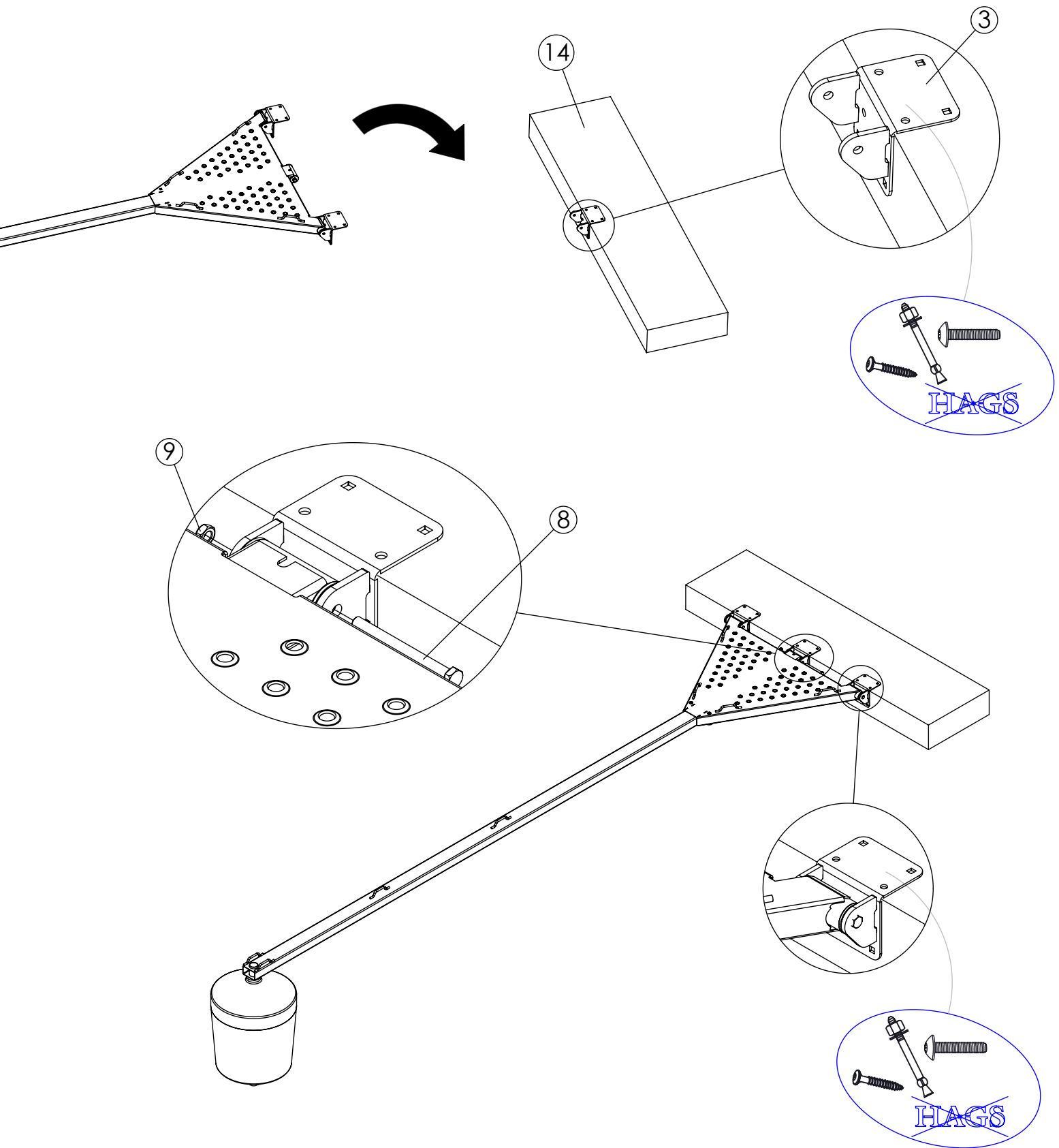
NR.	Description MA	Item Number	QTY
1	Beam 4500 mm	8035403	1
2	1090x820 mm	8038060	1
6	Float Ø500x700 mm (100l)	8034165	1
10	MVBF M10x80 mm	8038094	2
11	Lock Nut M10	8038112	3
12	Ø52x80x8 mm	8038080	1
13	M6S M10x70 mm	8008385	1

<b>HAGS</b>		ANEBY, SWEDEN +46(0)380- 47300 www.hags.com	
<b>Y-Beam 4,5m MASW29217 2 ( 4)</b>			
	TJ		JT 2013-06-03 2



NR.	Description MA	Item Number	QTY
2	1090x820 mm	8038060	1
3	171x140x124 mm	8038078	2
4	Ø51x30 mm	8038088	6
5	Ø20x110 mm	8038052	3
8	M6S M12x130 mm	8008425	2
9	Lock Nut M12	8008797	2

<b>HAGS</b>		ANEBY, SWEDEN +46(0)380- 47300 www.hags.com	
<b>Y-Beam 4,5m MASW29217 3 ( 4 )</b>			
	TJ		JT
			2013-06-03
			2



NR.	Description MA	Item Number	QTY
3	171x140x124 mm	8038078	1
8	M6S M12x130 mm	8008425	1
9	Lock Nut M12	8008797	1
14	Bridge	-	1

# HAGS

ANEBY, SWEDEN  
+46(0)380-47300  
www.hags.com

**Y-Beam 4,5m**  
**MASW29217**  
**4 ( 4 )**

TJ
 JT
 2013-06-03
 2