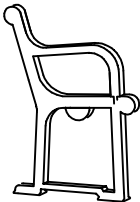


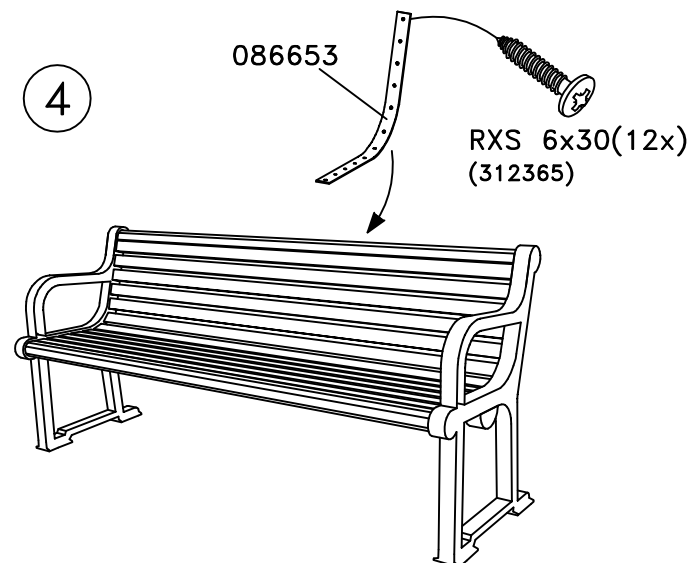
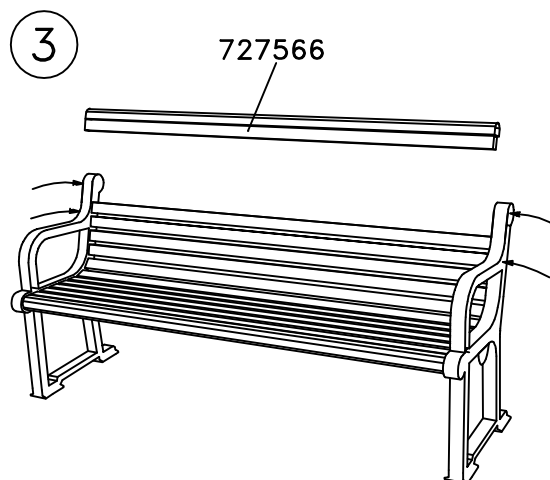
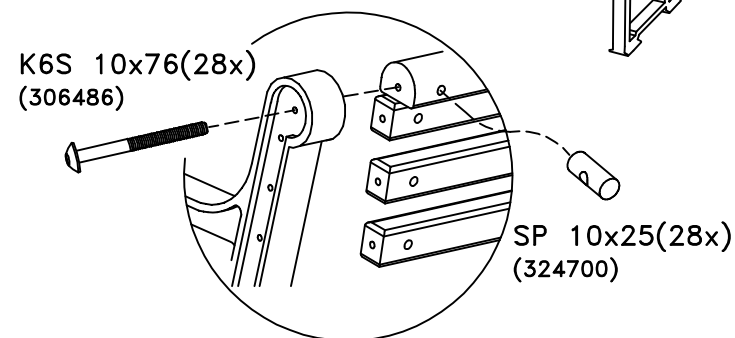
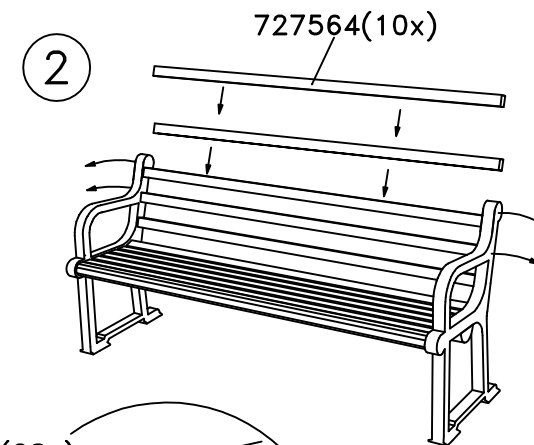
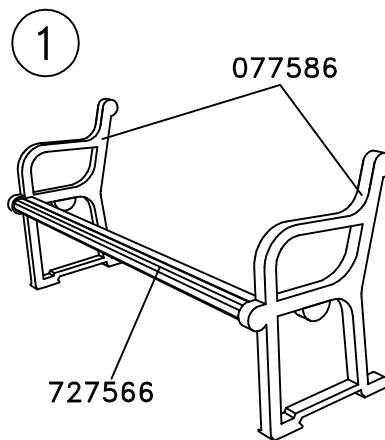
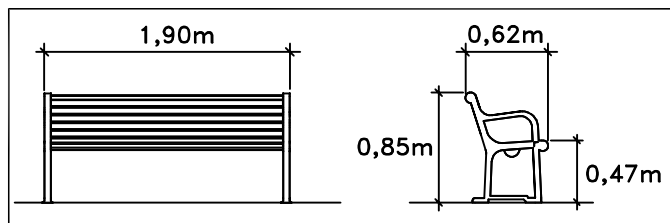


TYPE	HAGS.NO
	077586 (2x)
 L=1,76m	727566 (2x)
 L=1,76m	727564 (10x)



**HAGS** ANEBY, SWEDEN  
+46(0)380-47300  
www.hags.com

177586

MC ACJ 2006-04-21 1