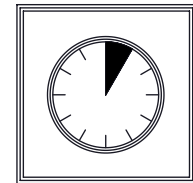
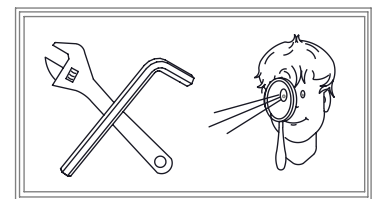


NR.	Description MA	Item Number	QTY
1	Beam 4500 mm	8035403	1
2	1090x820 mm	8038060	1
3	1100x350 mm	8038074	1
4	Ø51x30 mm	8038088	6
5	Ø20x110 mm	8038052	3
6	Float Ø500x700 mm (100l)	8034165	1
7	195x45x4 mm	8038083	1
8	M6S M12x130 mm	8008425	3
9	Lock Nut M12	8008797	3
10	MVBF M10x80 mm	8038094	2
11	Lock Nut M10	8038112	6
12	Ø52x80x8 mm	8038080	1
13	M6S M10x70 mm	8008385	1
14	113x50x50 mm	8038085	3
15	M6S M10x130 mm	8008397	3
16	Washer Ø56x5 mm	8039848	3
17	140x90x75 mm	8024505	6
18	Bolt Hex. 5/8" - 11x2"	8019400	6
19	Bridge	-	1



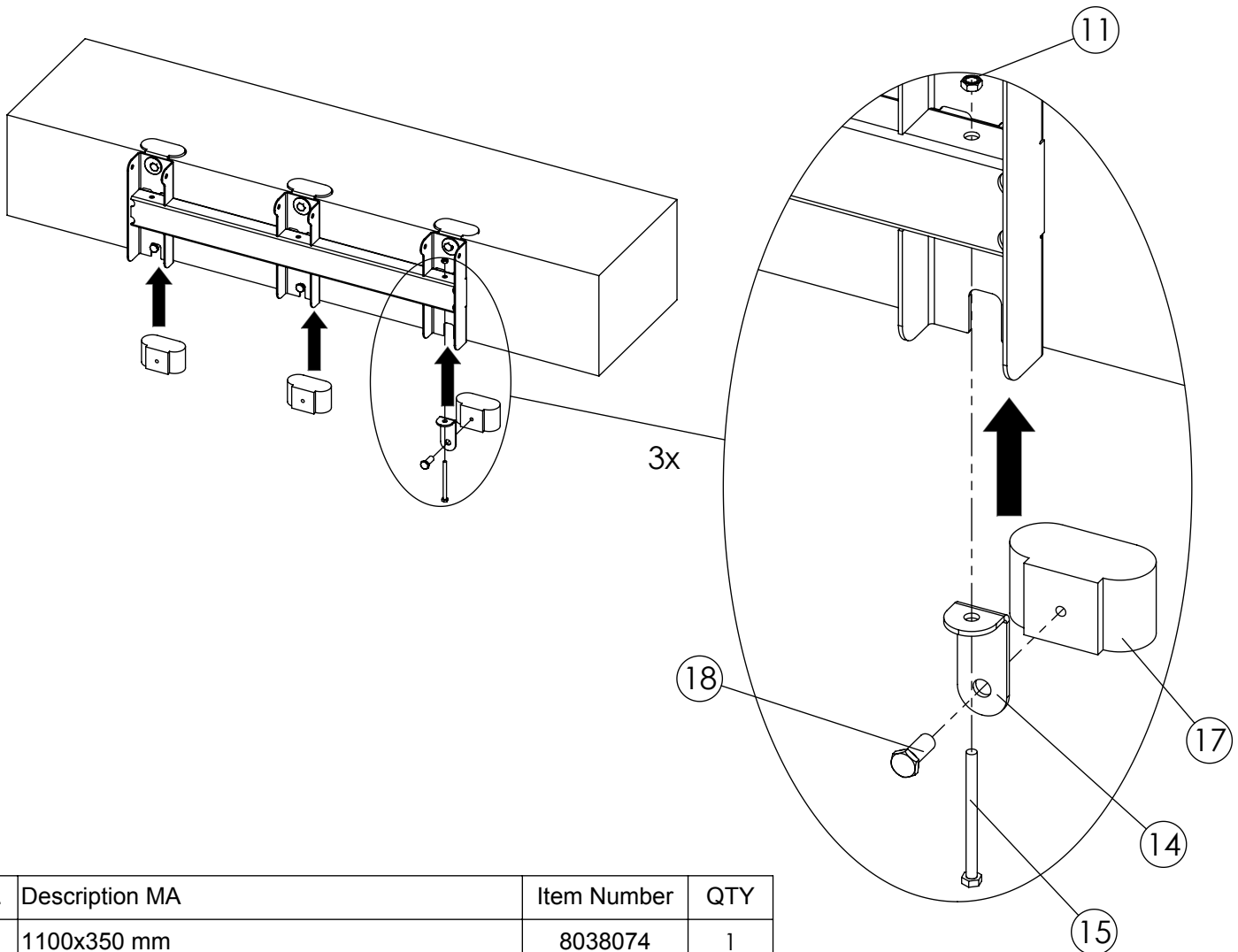
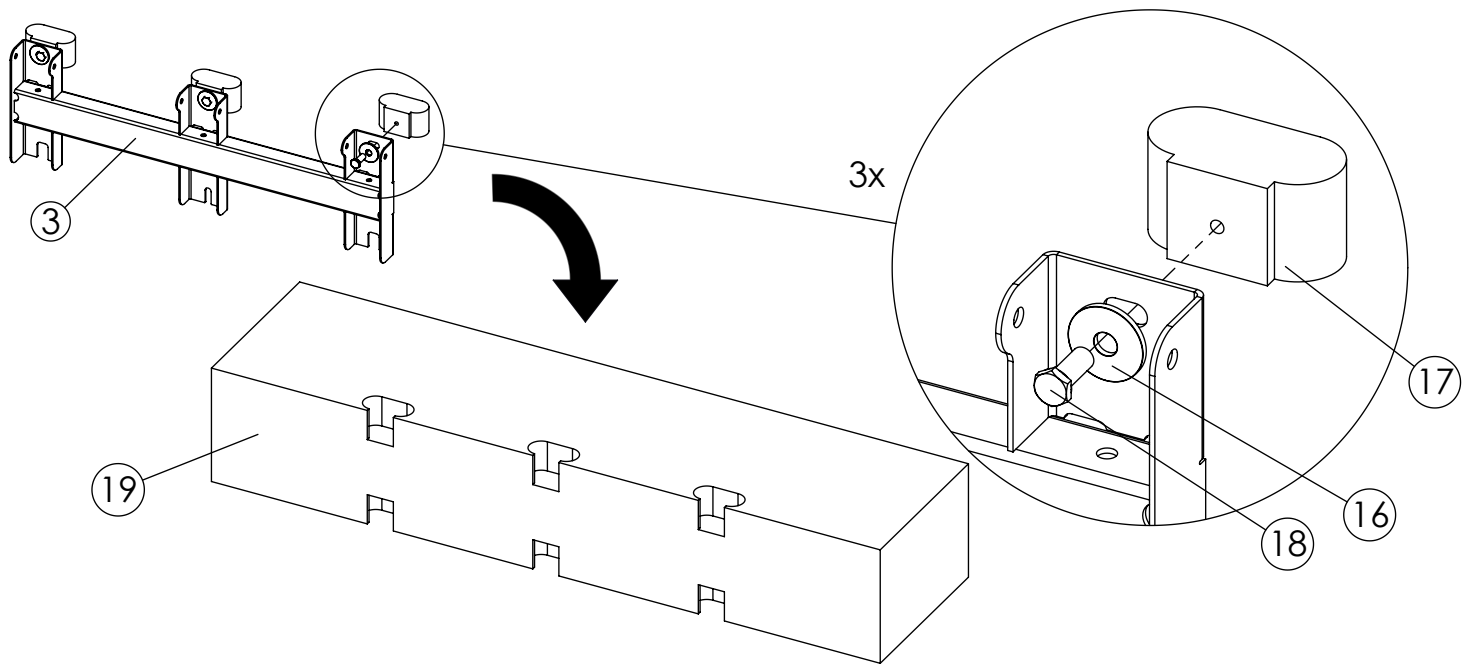
1h



Varje säsong
Every season
Jedes Jahr
Chaque saison

HAGS ANEBY,
SWEDEN
+46(0)380-
47300
www.hags.co
m

Y-Beam 4,5m
MASW29196
1 (5)

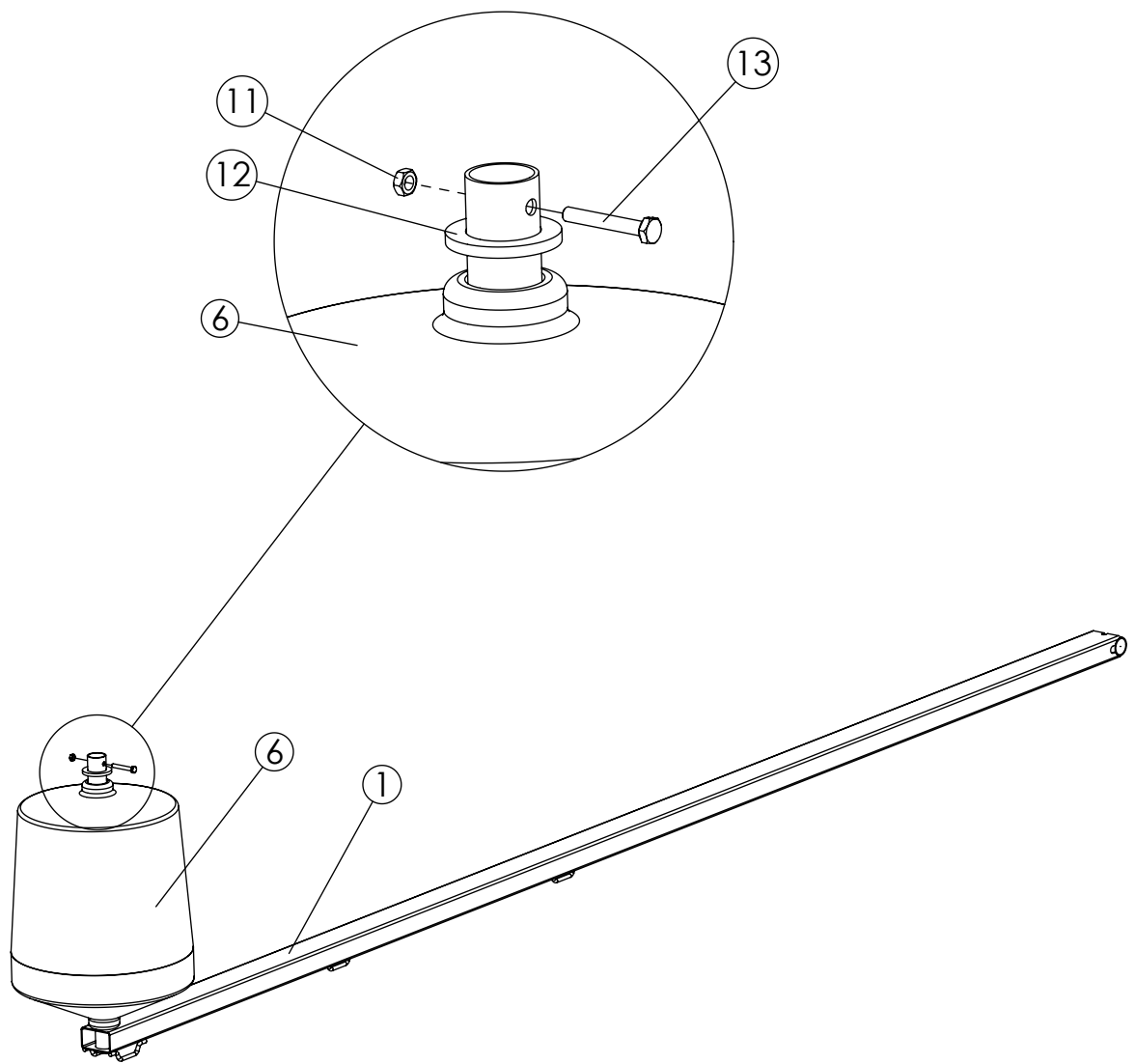


NR.	Description MA	Item Number	QTY
3	1100x350 mm	8038074	1
11	Lock Nut M10	8038112	3
14	113x50x50 mm	8038085	3
15	M6S M10x130 mm	8008397	3
16	Washer Ø56x5 mm	8039848	3
17	140x90x75 mm	8024505	6
18	Bolt Hex. 5/8" - 11x2"	8019400	6
19	Bridge	-	1

HAGS ANEBY, SWEDEN
+46(0)380-47300
www.hags.com

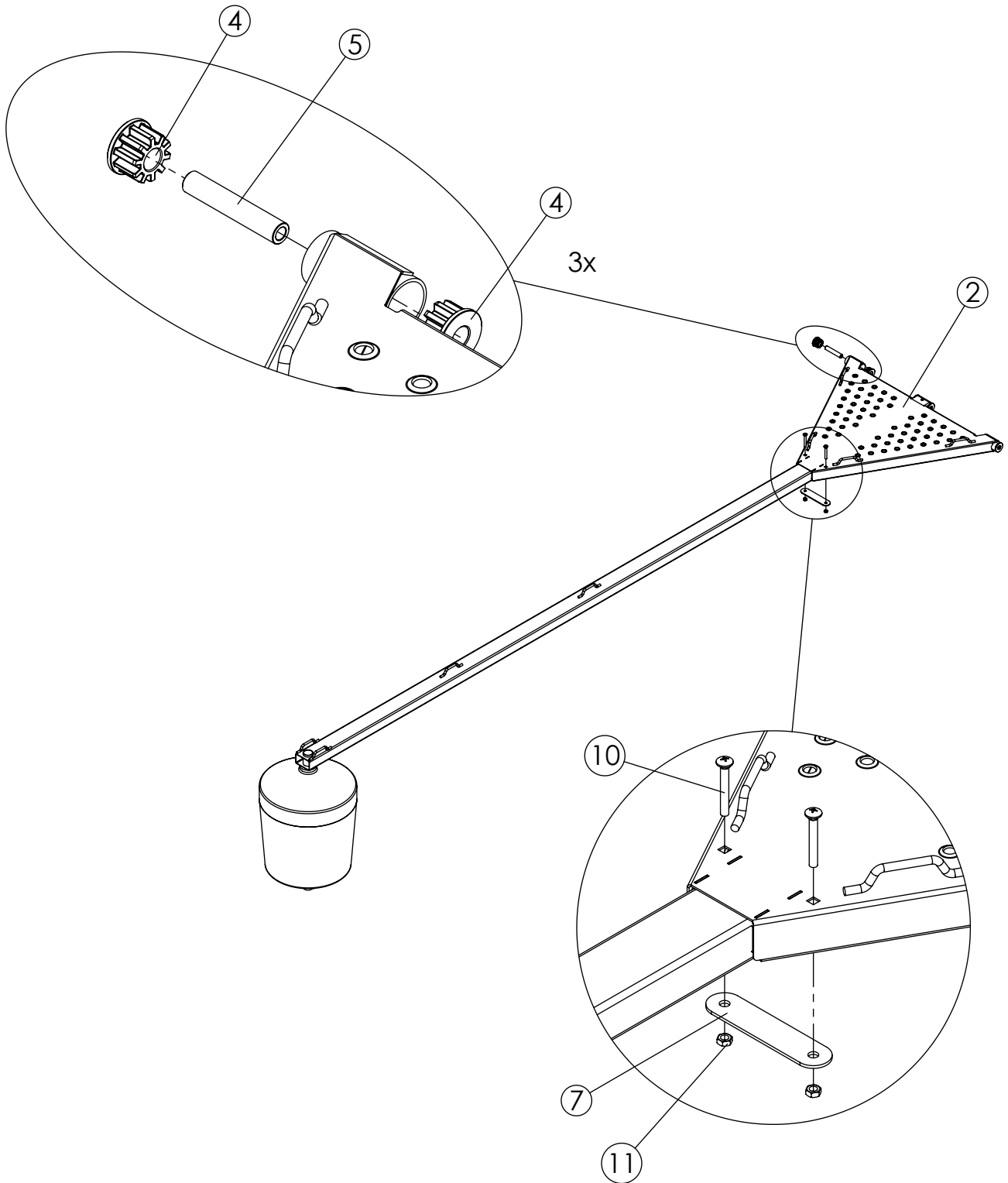
**Y-Beam 4,5m
MASW29196
2 (5)**

TJ JT 2013-07-03 2



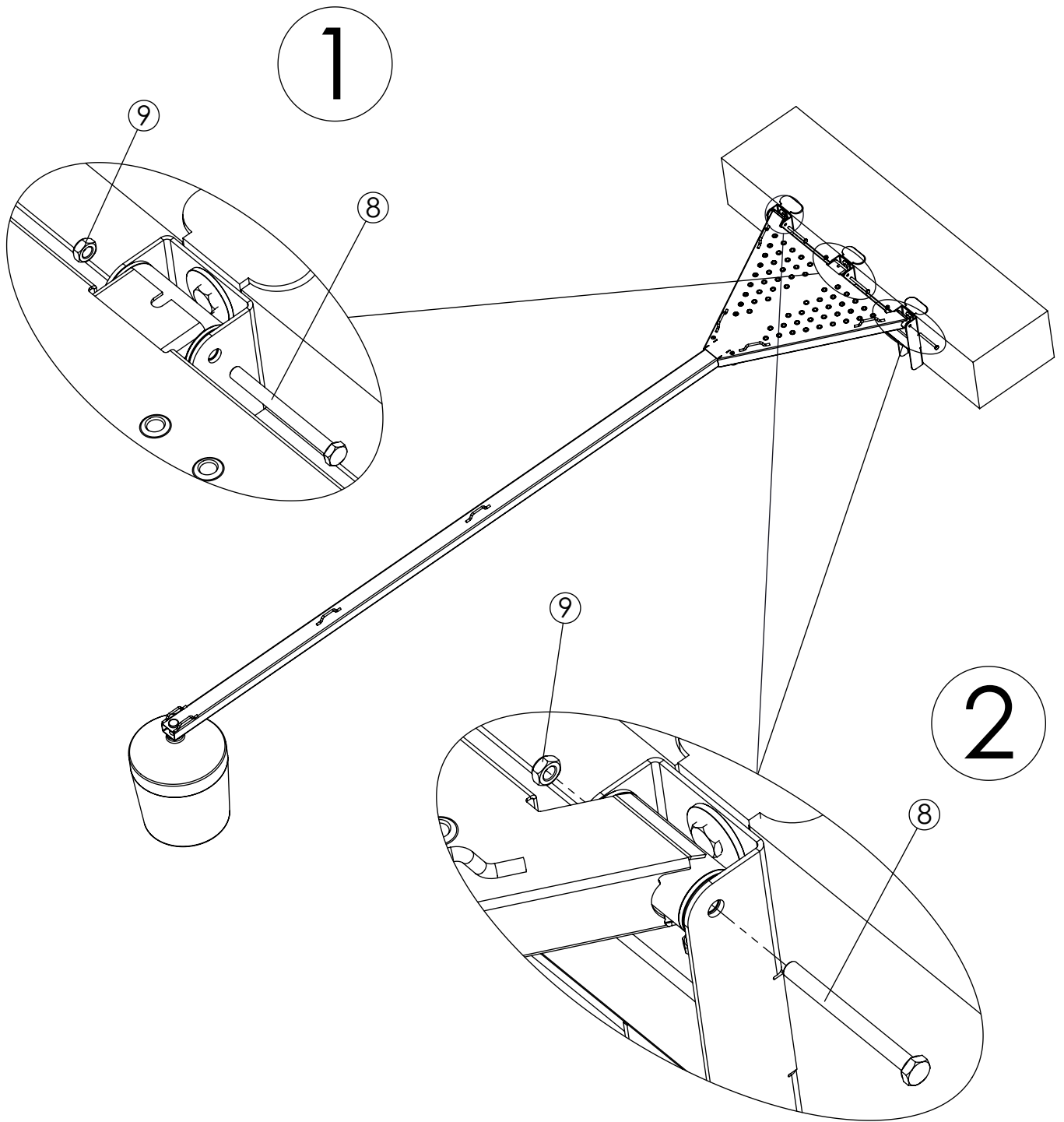
NR.	Description MA	Item Number	QTY
1	Beam 4500 mm	8035403	1
6	Float Ø500x700 mm (100l)	8034165	1
11	Lock Nut M10	8038112	1
12	Ø52x80x8 mm	8038080	1
13	M6S M10x70 mm	8008385	1

<h1>HAGS</h1> <p>ANEBY, SWEDEN +46(0)380-47300 www.hags.com</p>			
		<p>Y-Beam 4,5m MASW29196 3 (5)</p>	
TJ	JT	2013-07-03	2



NR.	Description MA	Item Number	QTY
2	1090x820 mm	8038060	1
4	Ø51x30 mm	8038088	6
5	Ø20x110 mm	8038052	3
7	195x45x4 mm	8038083	1
10	MVBF M10x80 mm	8038094	2
11	Lock Nut M10	8038112	2

HAGS		ANEBY, SWEDEN +46(0)380- 47300 www.hags.com	
Y-Beam 4,5m			
MASW29196			
4 (5)			
	TJ		JT
2013-07-03		2	



NR.	Description MA	Item Number	QTY
8	M6S M12x130 mm	8008425	3
9	Lock Nut M12	8008797	3

HAGS		ANEBY, SWEDEN +46(0)380- 47300 www.hags.com	
Y-Beam 4,5m		MASW29196	
5 (5)			
	TJ		JT
			2013-07-03
			2