

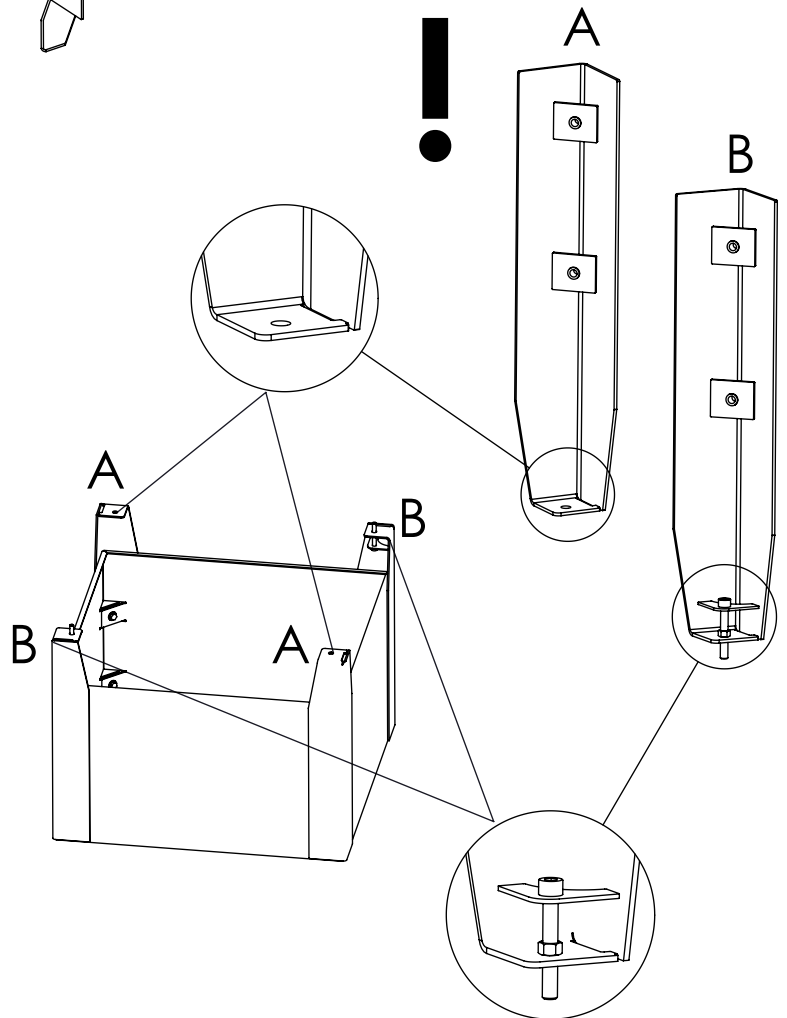
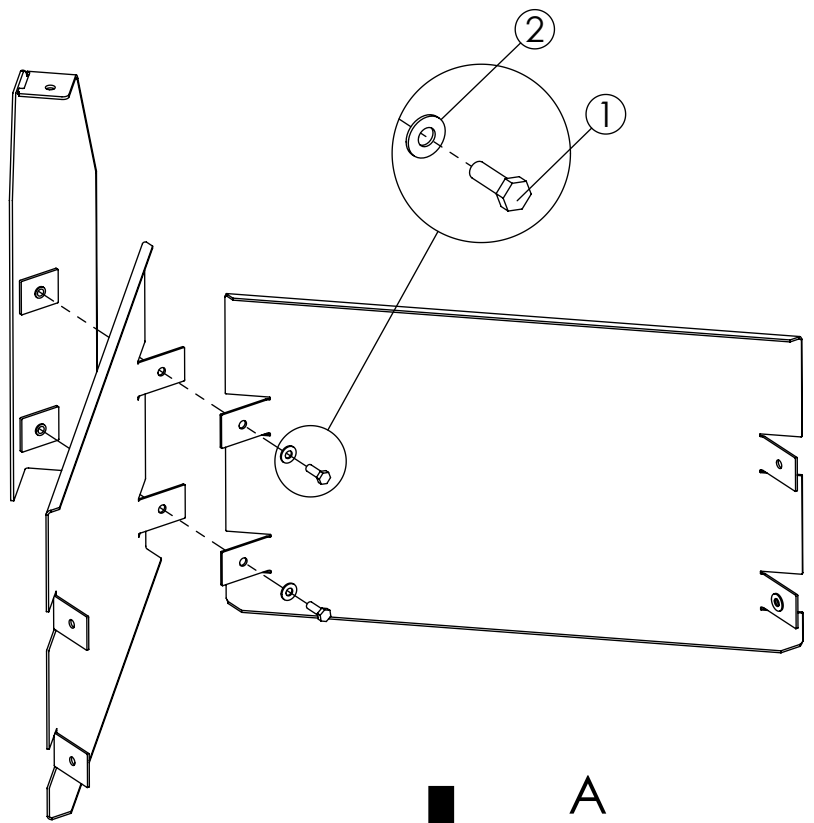
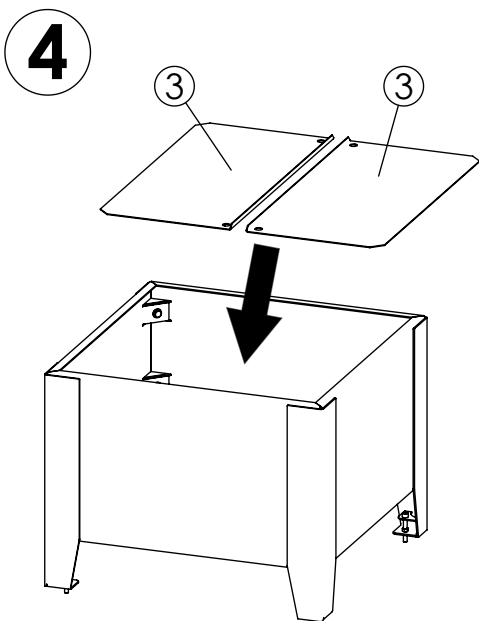
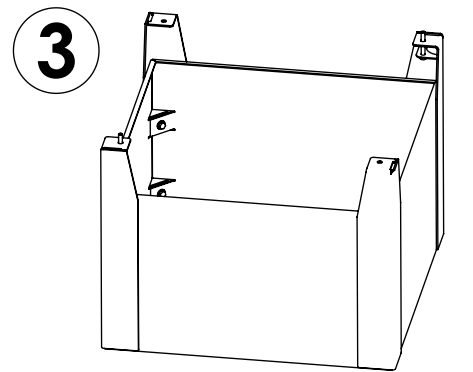
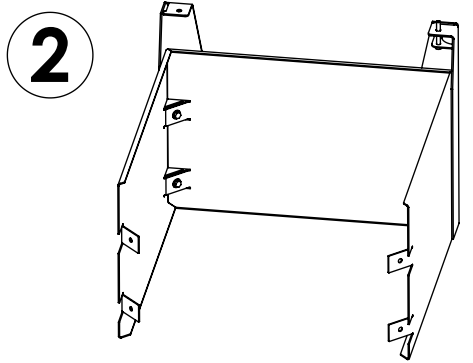
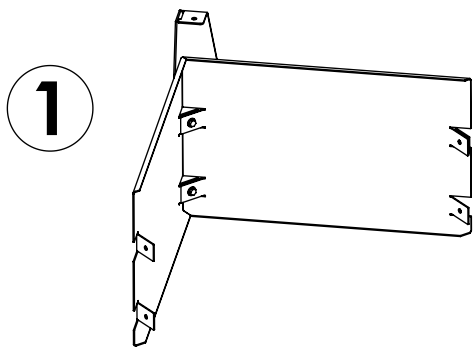
H=0,60m  
H=0,72m

NR.	Description MA	MA Number	QTY	QTY
1	M6S M10x30 mm	302 208	8	8
2	Ø11x24x2 mm	326 018	8	8
3	750x380mm	8034596	2	2
4	770x460 mm	8034796/8034805	4	4
5	Leg with fixing L=600mm	8034847/ 8034848	2	-
6	Leg L=600mm	8034847/ 8034848	2	-
7	Leg with fixing L=720mm	8034842/ 8034846	-	2
8	Leg L=720mm	8034842/ 8034846	-	2

**HAGS** ANEBY, SWEDEN  
+46(0)380-47300  
www.hags.com

Flox  
**MASW26150**  
1 ( 3 )

TJ OG 2012-08-27 0



NR.	Description MA	Item Nr	QTY
1	M6S M10x30 mm	302 208	8
2	Ø11x24x2 mm	326 018	8
3	750x380mm	8034596	2

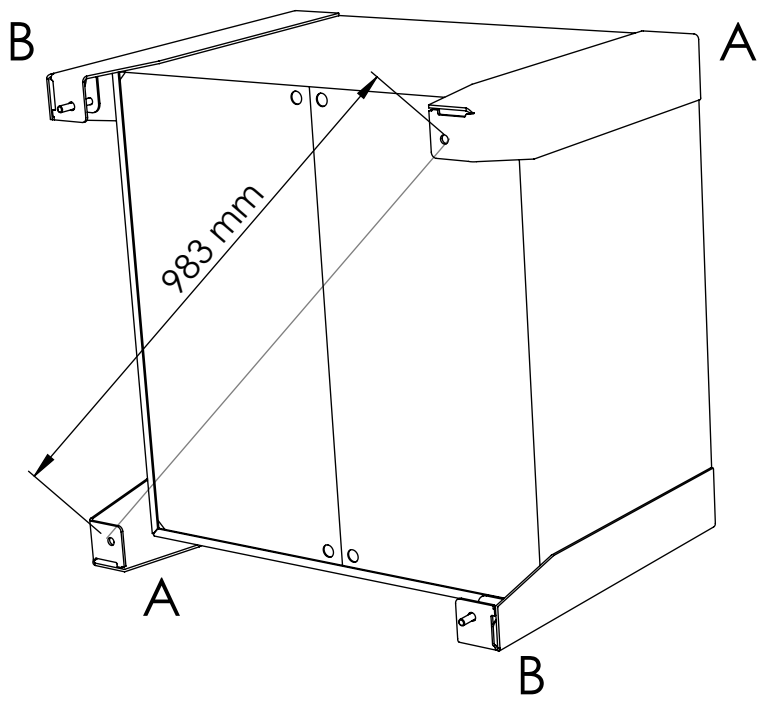
**HAGS** ANEBY, SWEDEN  
+46(0)380-47300  
www.hags.com

Flox  
**MASW26150**  
2 ( 3 )

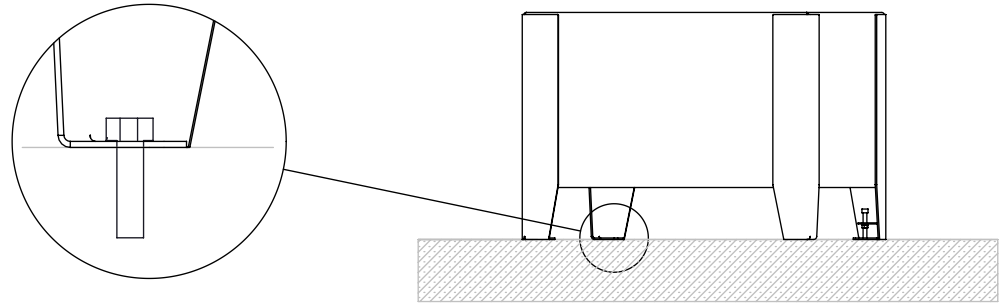




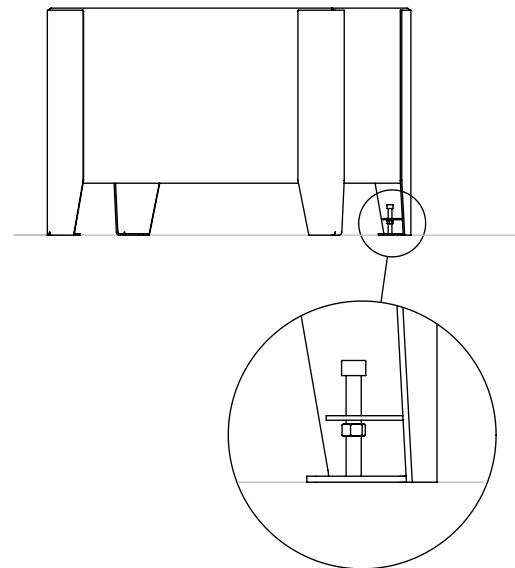
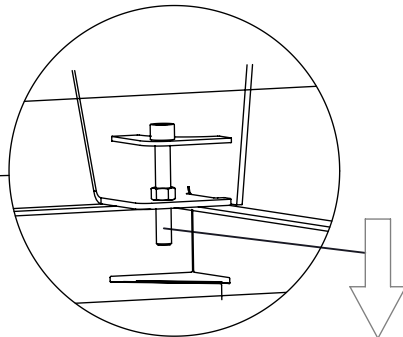
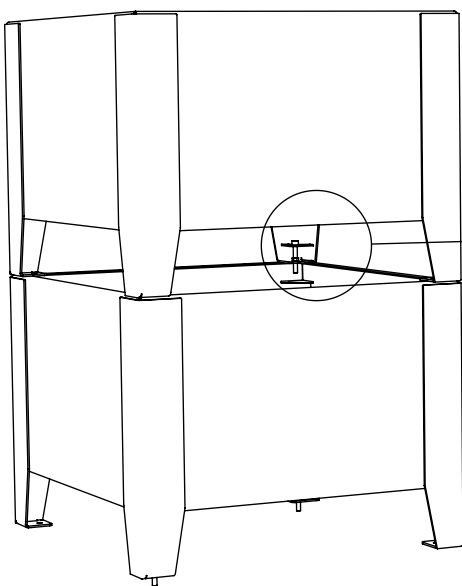
 2012-08-27 0



A



B



<b>HAGS</b>		ANEBY, SWEDEN	
		+46(0)380-47300	
		www.hags.com	
Flox			
<b>MASW26150</b>			
3 ( 3 )			
	TJ		OG
		2012-08-27	0