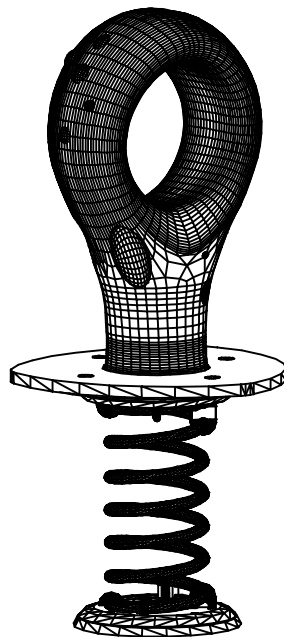
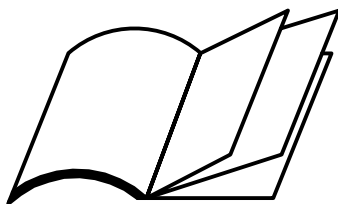


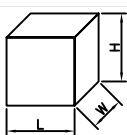
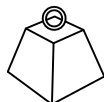

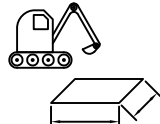
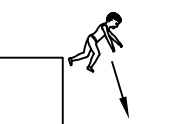

# HAGS

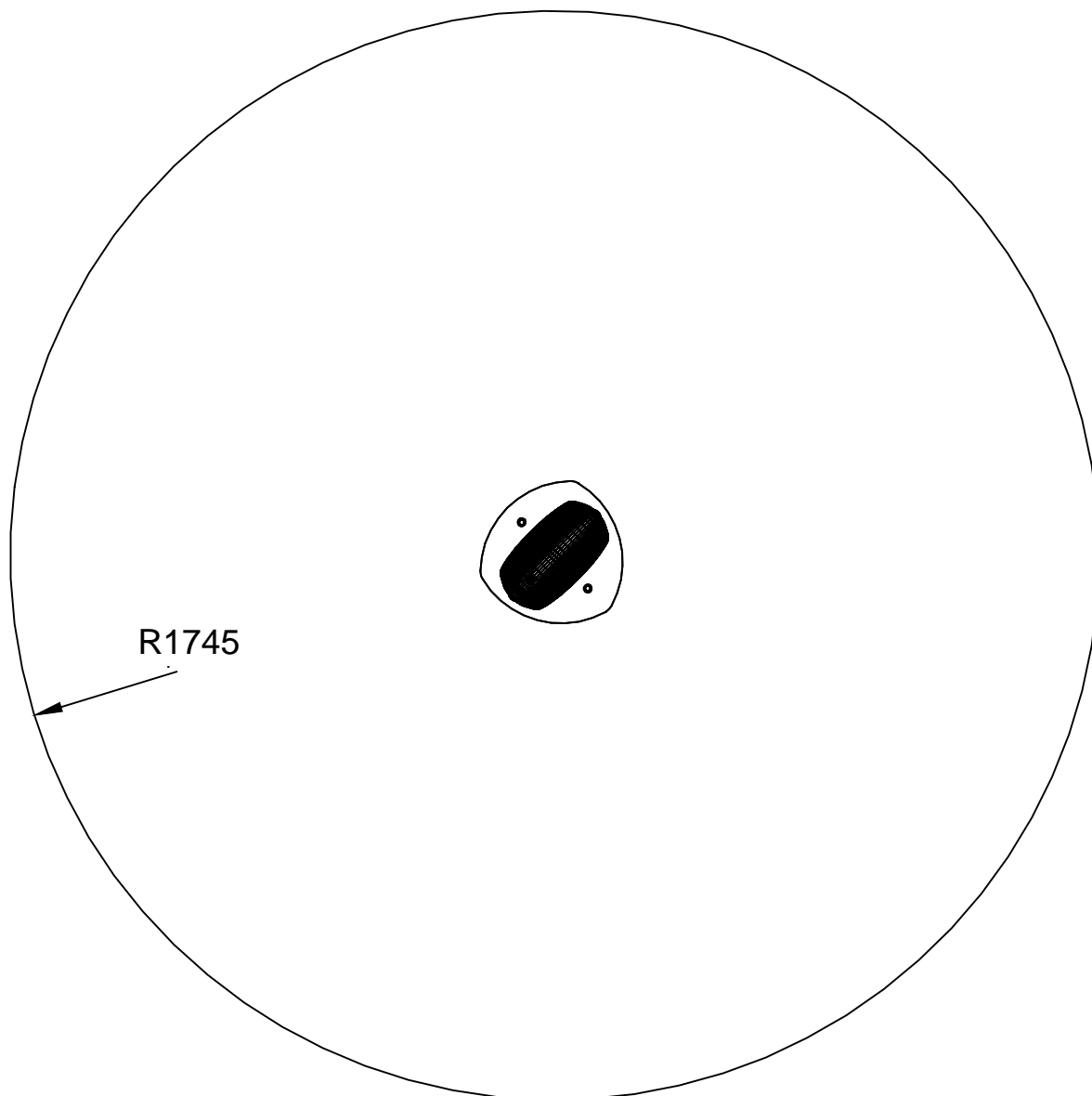
**ZINGO BOING**

**X-BSB & X-BSBD**

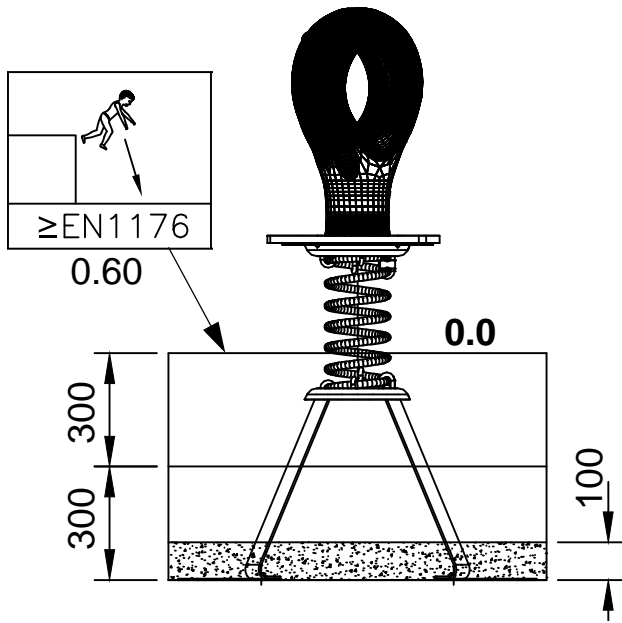
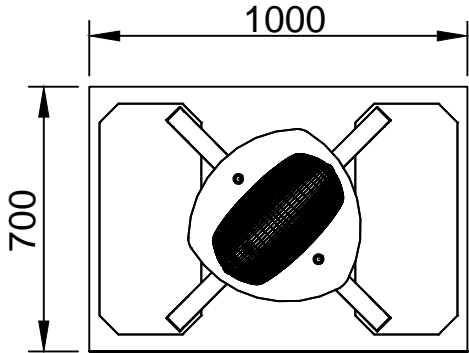
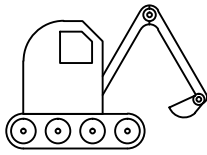




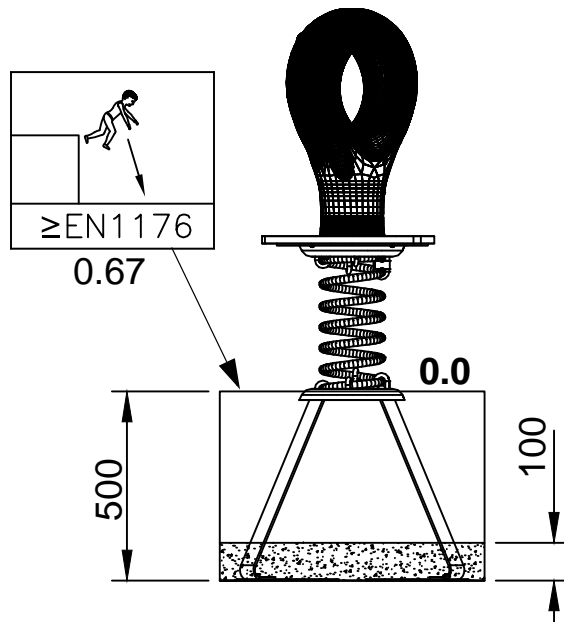
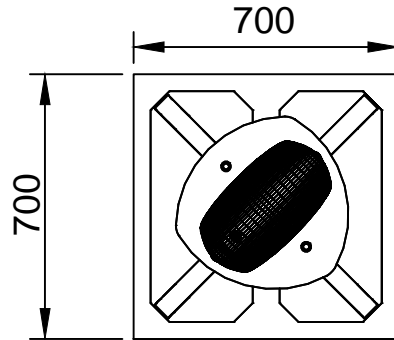
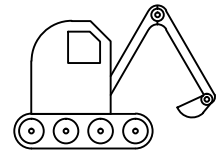
	 LxWxH (m)	 kg	 m <sup>3</sup>	 m	 ≥EN1176	 x 2 = T
<b>TYPE 1 / 2</b>	Ø0.49 x 1.00	34	0.07	Ø4	0.60m	T = 2h
<b>TYPE 3</b>			0.05		0.67m	

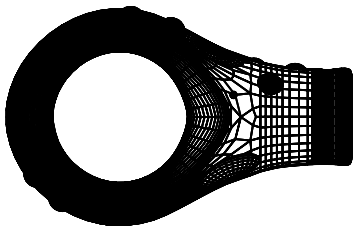
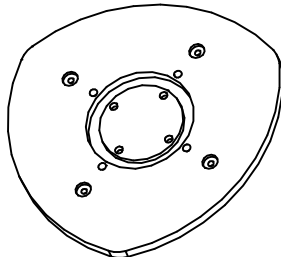


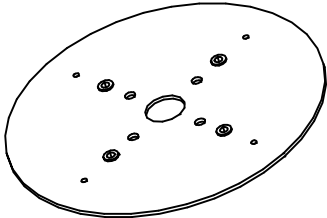
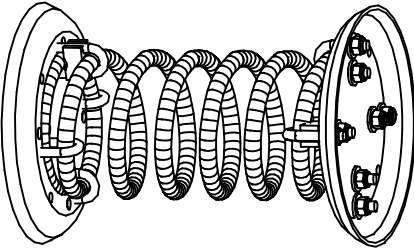
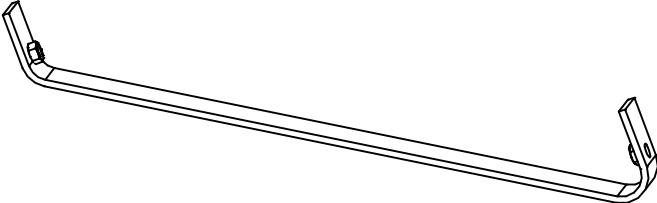
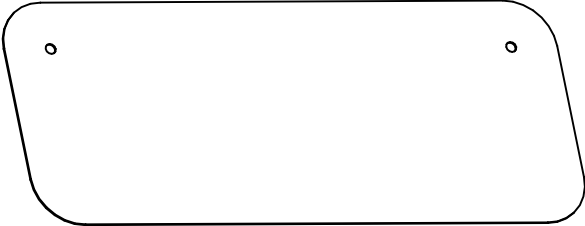
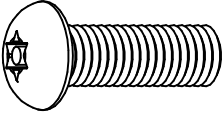
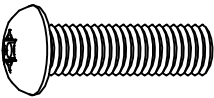

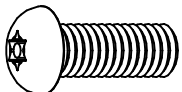
### TYPE 1/2

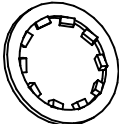
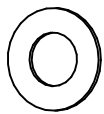
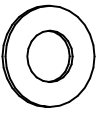
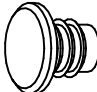
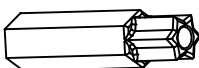



### TYPE 3

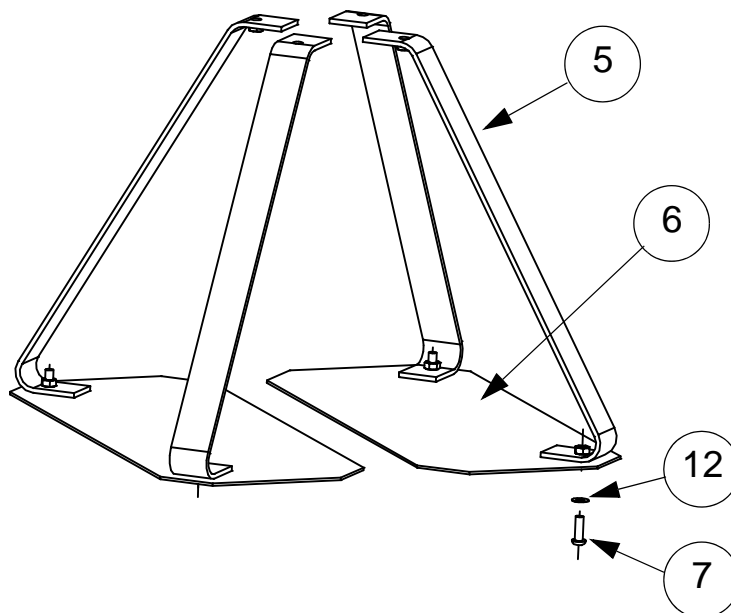


ITEM	REF		QTY.	kg.
1	55070030		1	3.00
2	56030020		1	2.50

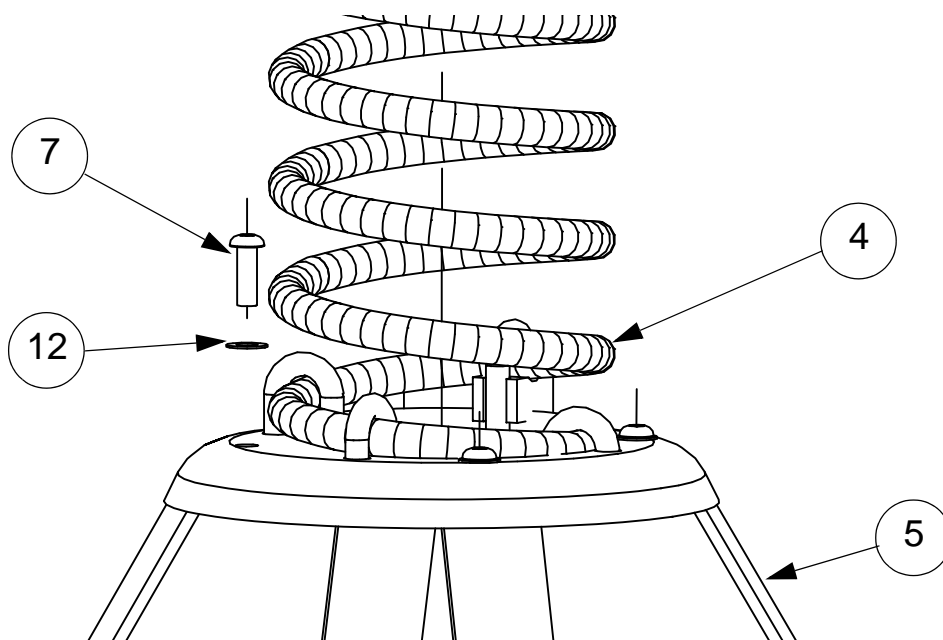
ITEM	CODE	DESCRIPTION	QTY.	WEIGHT kg.
3	56030010		1	5.00
4	56029999		1	23.0
5	86009002		4	2.50
6	86009001		2	2.50
7	10121030	 M10 X 30	8	0.028
8	10121035	 M10 X 35	4	0.032
9	10121065M	 M10 X 55	4	0.048
10	10120616	 M6 X 16	4	0.007

ITEM	CODE	DESCRIPTION	QTY.	WEIGHT kg.
11	10301000	 M10 12X18X1	4	0.002
12	10291000	 M10 11X21X1	12	0.002
13	10290600	 M6 6.4X12.6X1	4	0.001
14	10930600	 M6	4	0.006
15	10121000	 T45 M10	1	-
16	10120600	 T30 M6	1	-

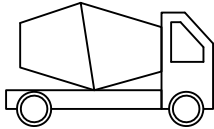
## STEP 1



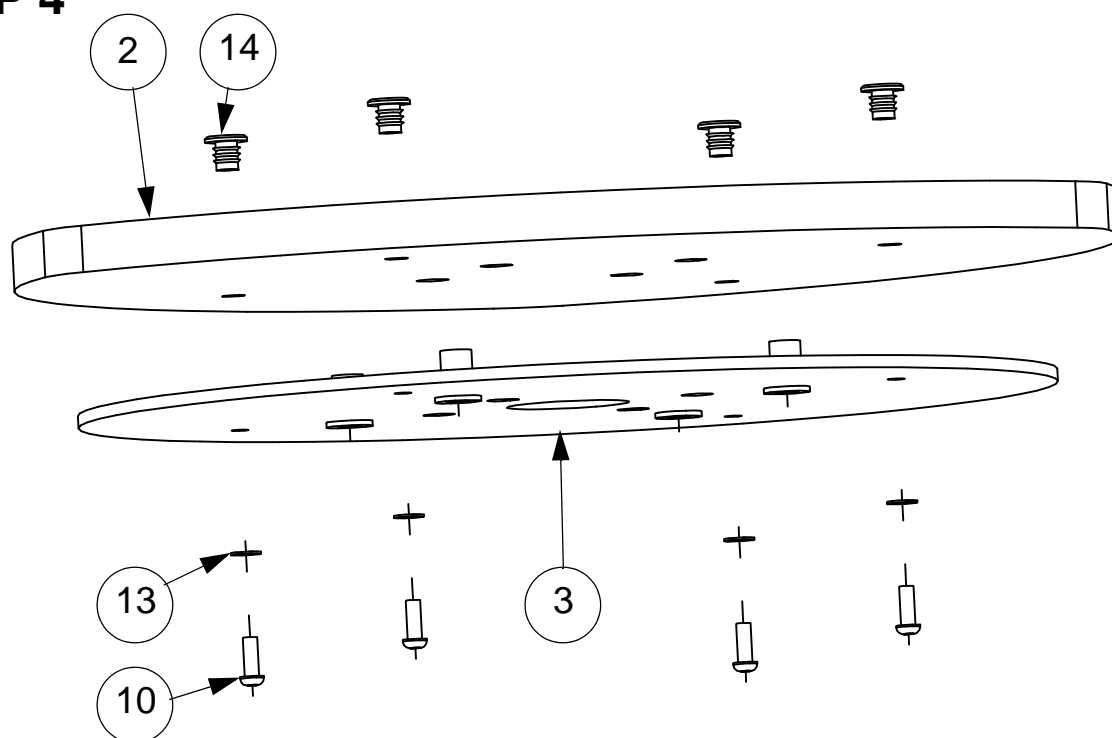
## STEP 2



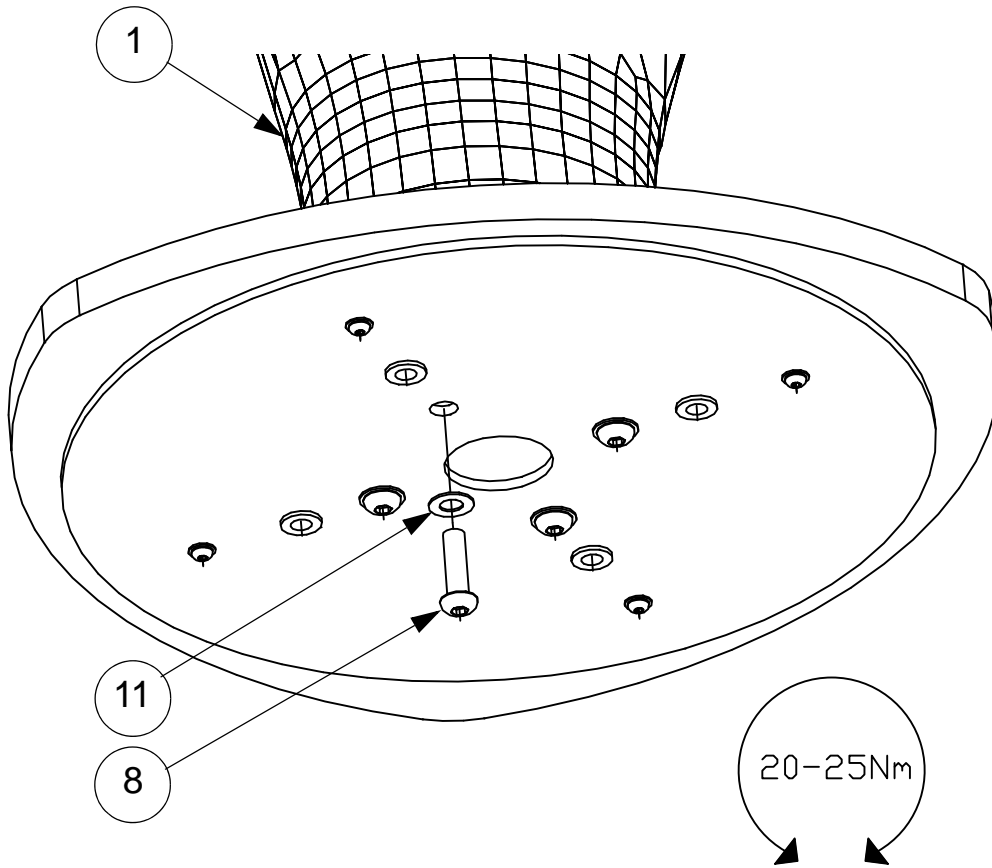
## STEP 3

	
S2 (50mm)	
≥C20-25	
🕒	7 x 24h
👁️	101

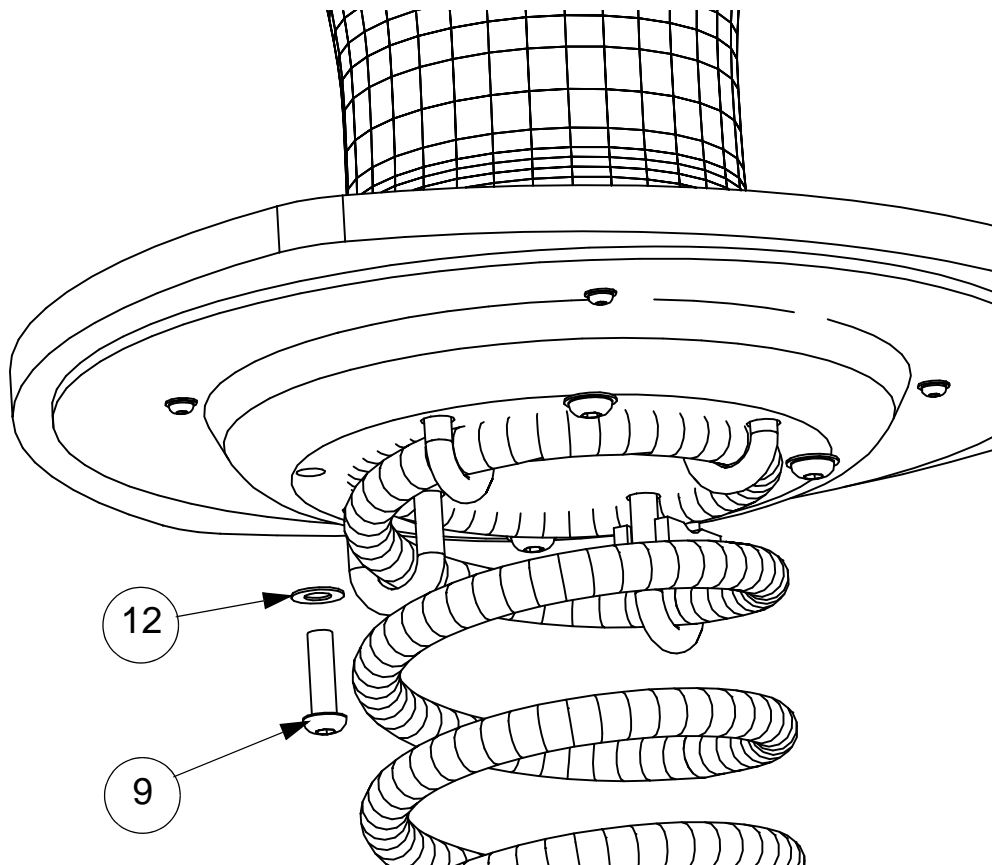
## STEP 4



# STEP 5



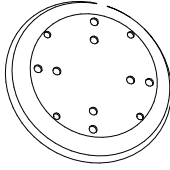
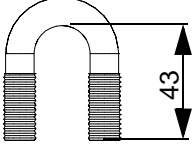

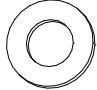
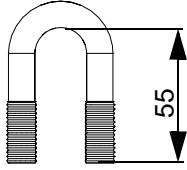
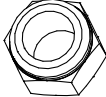
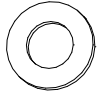
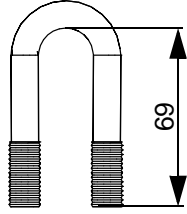
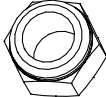
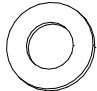
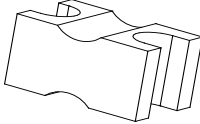
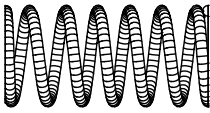
# STEP 6



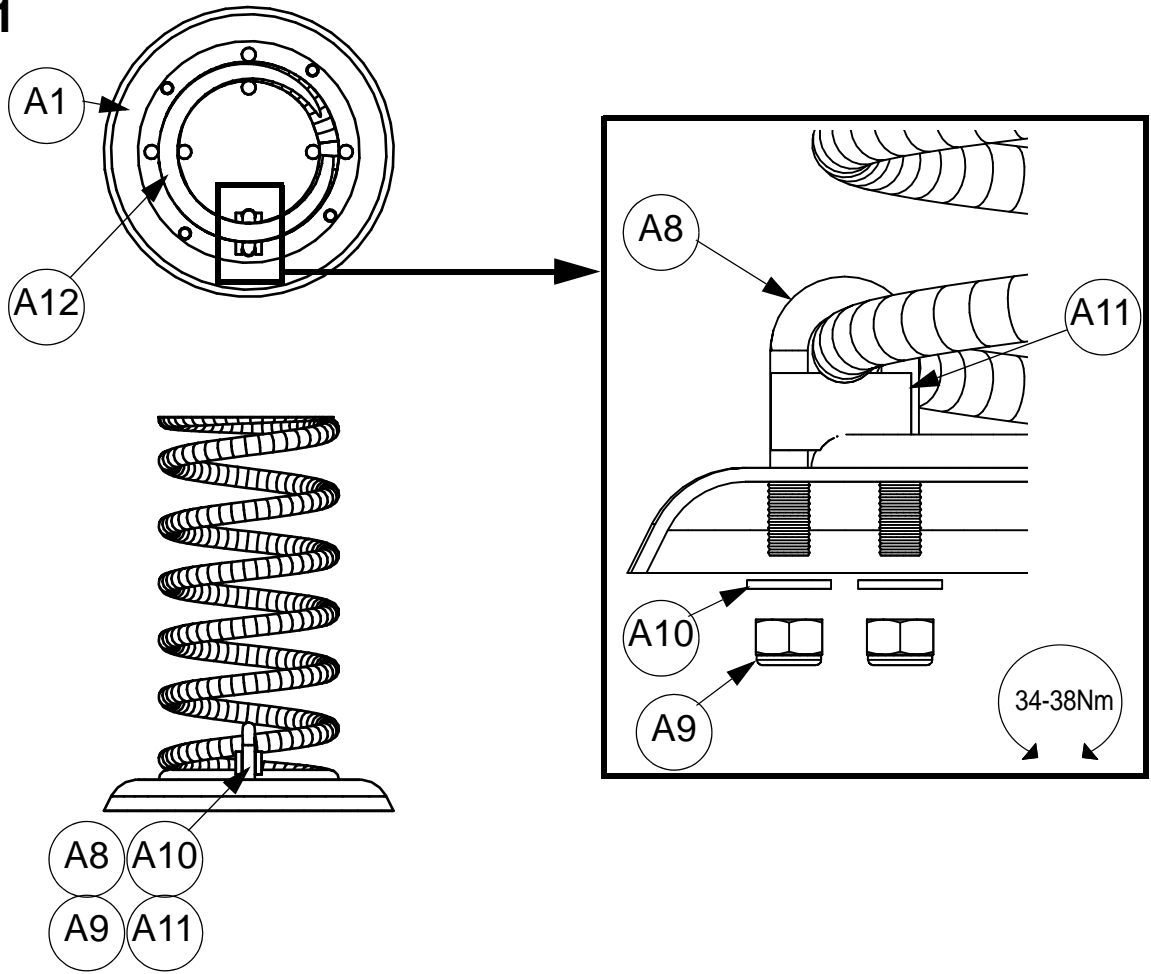


**Appendix A:**

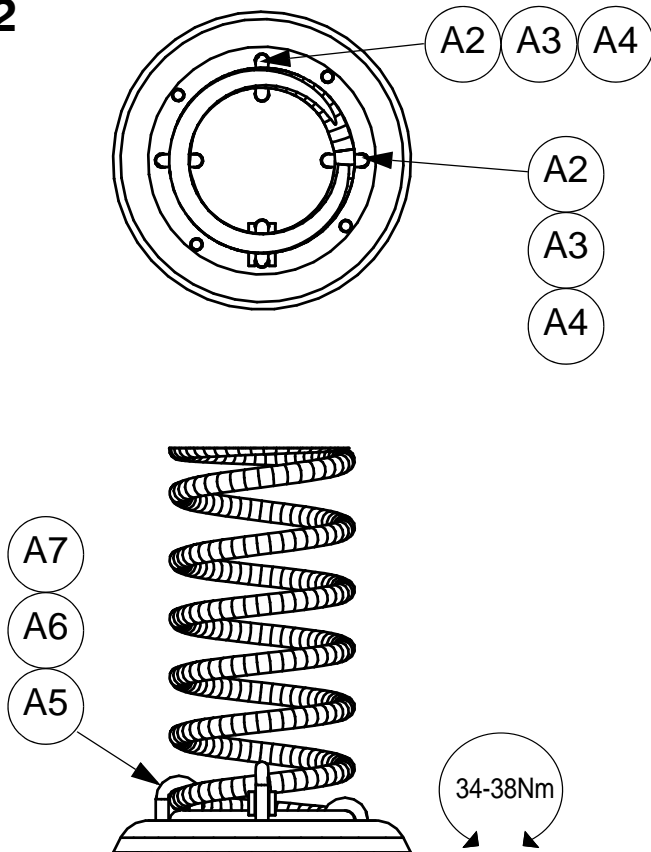
**REF 56029999**

ITEM	REF		QTY.	WEIGHT Kg.
A1	86009003		2	2.500
A2	86009006A		4	0.080
A3			8	0.010
A4			8	0.003
A5	86009006B		2	0.100
A6			4	0.010
A7			4	0.003
A8	86009006C		2	0.120
A9			4	0.010
A10			4	0.003
A11	86009007		2	0.001
A12	86009005		1	8.000

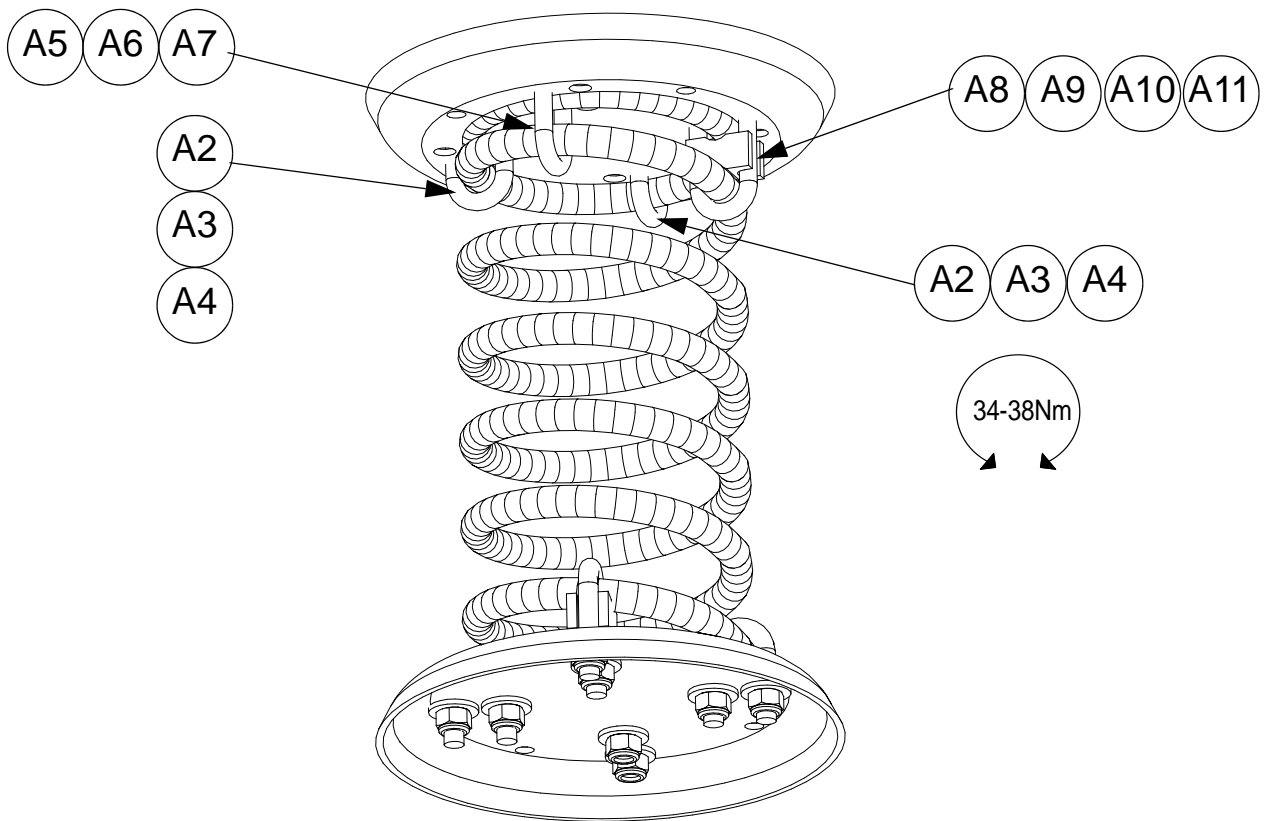
# STEP 1

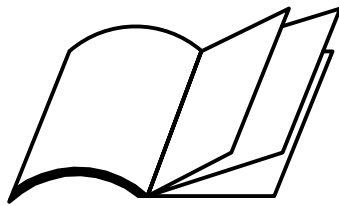


# STEP 2

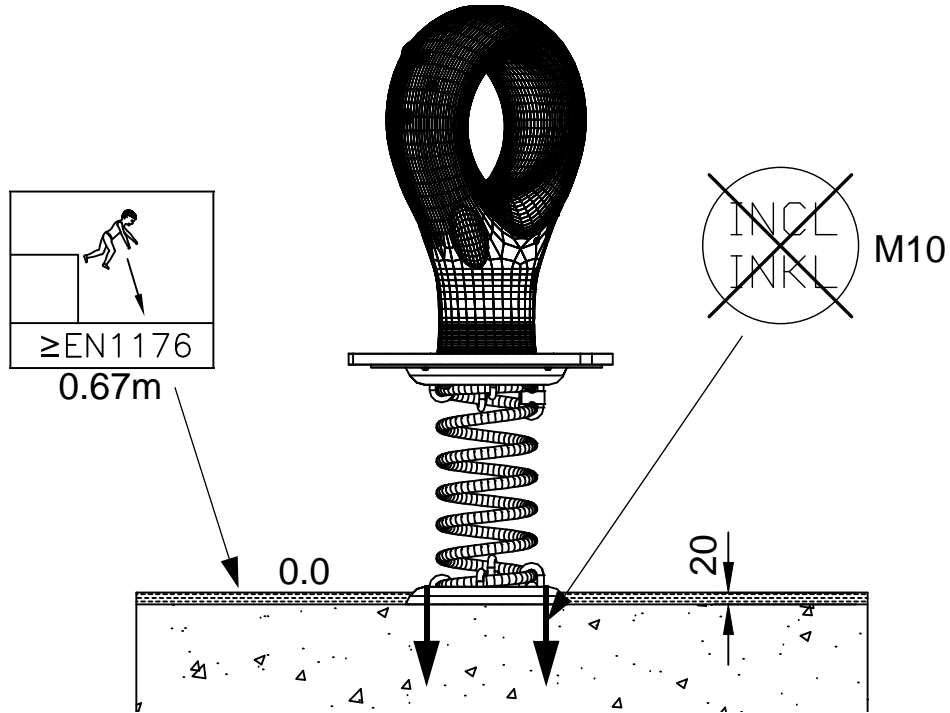


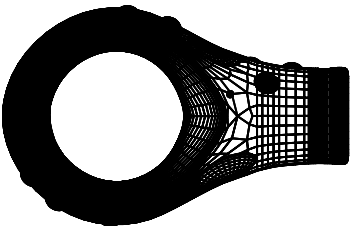
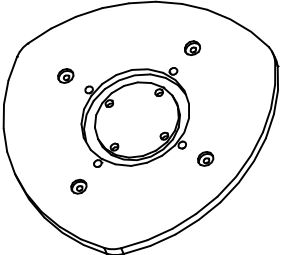
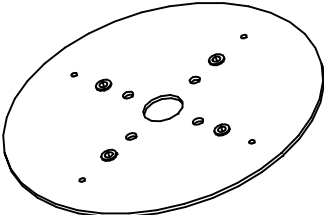
# STEP 3

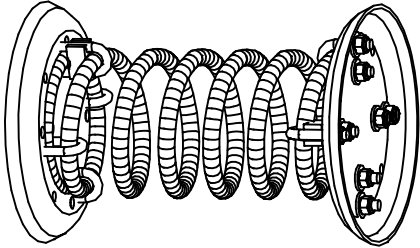
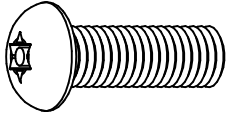
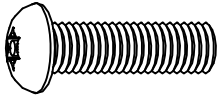

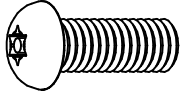
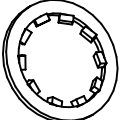
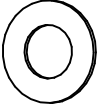
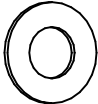
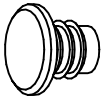




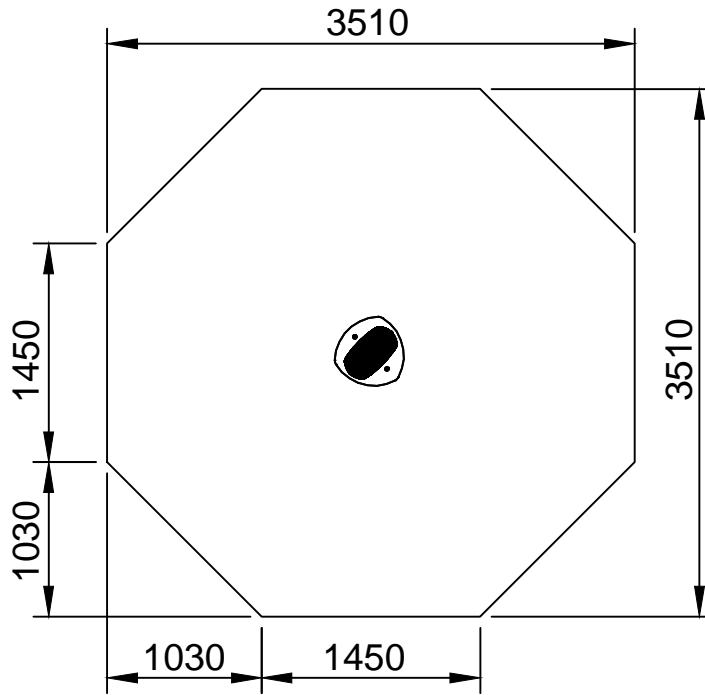
Appendix B: X-BSBD




ITEM	REF		QTY.	kg.
1	55070030		1	3.00
2	56030020		1	2.50
3	56030010		1	5.00

ITEM	REF		QTY.	kg.
4	56029999		1	23.0
7	10121030	 M10 X 30	4	0.028
8	10121035	 M10 X 35	4	0.032
9	10121065M	 M10 X 55	4	0.048
10	10120616	 M6 X 16	4	0.007
11	10301000	 M10 12X18X1	4	0.002
12	10291000	 M10 11X21X1	8	0.002
13	10290600	 M6 6.4X12.6X1	4	0.001
14	10930600	 M6	4	0.006

Appendix C:



WET POUR / LOOSEFILL

TYPE 1 / 2 & 3  144

