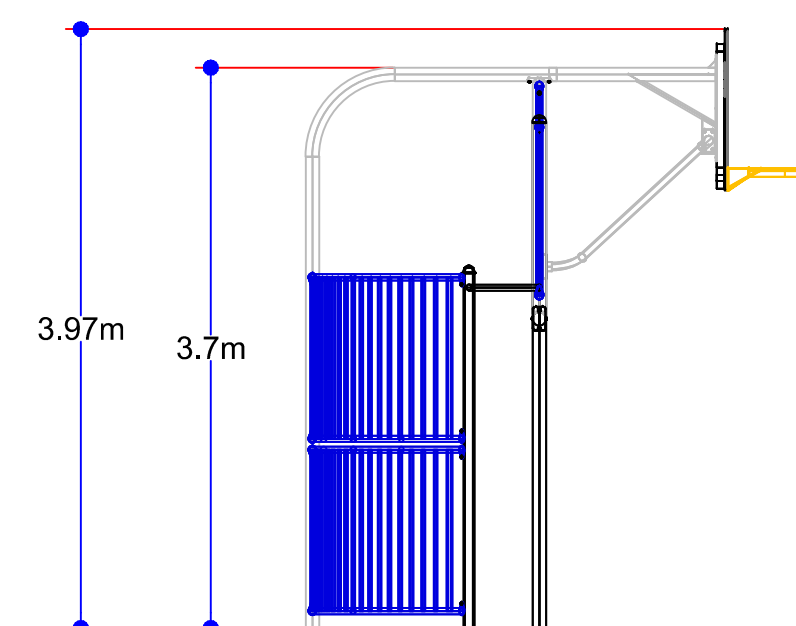
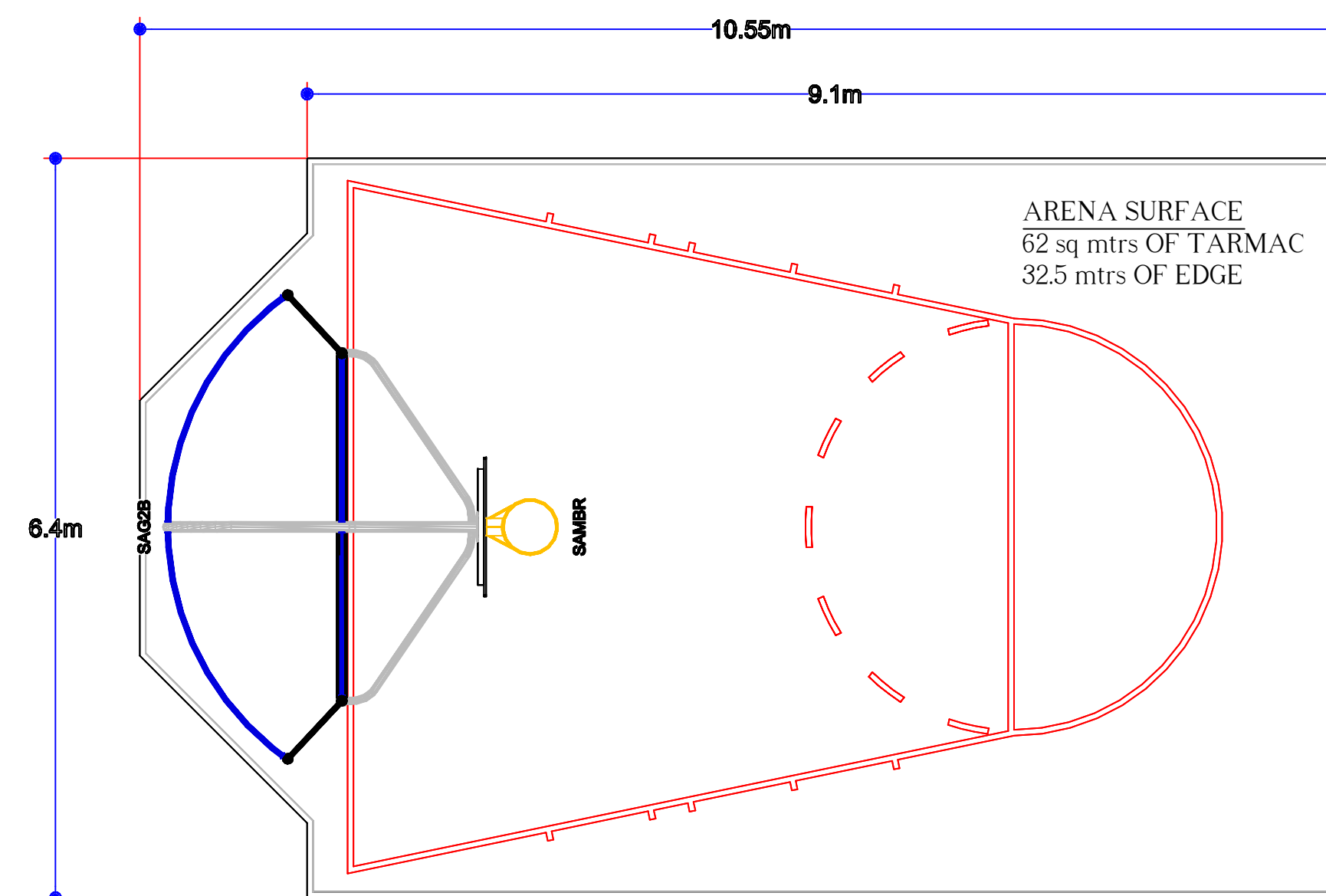
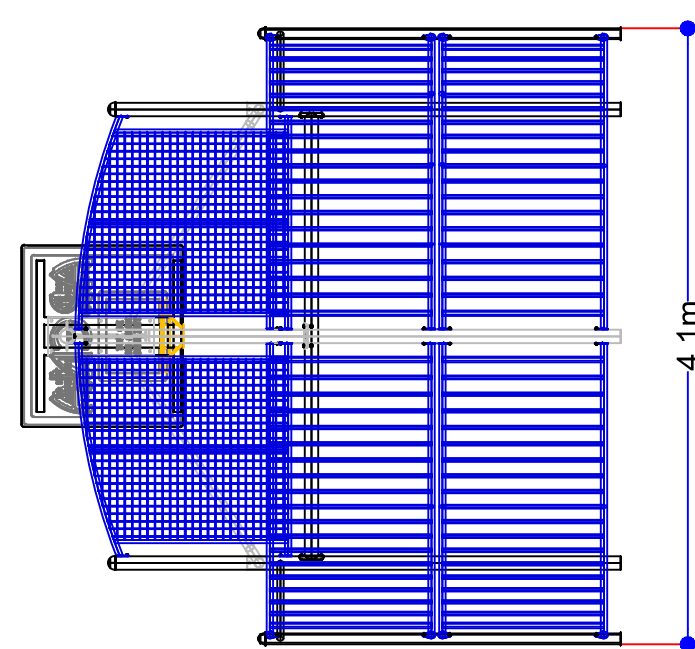


Components List
PHILADELPHIA
 Drawing No:33792_Item2

Code	Description	Qty	Extended Weight (kgs)	Extended Concrete
SAG2B	GOAL SECTION	1	354.00	1.01
SAMBR	1.2M REACH BOARD & HOOP	1	94.47	0.00
		2	448.47	1.01

REFER TO ARENA INSTALLATION INSTRUCTIONS FOR COMPONENTS AND INSTALLATION



NOTES
 DIMENSIONS SHOWN FOR TARMAC ARE TAKEN FROM THE OUTSIDE OF THE PRE-CAST CONCRETE EDGE. DIMENSIONS SHOWN FOR EQUIPMENT ARE TAKEN FROM THE OUTERMOST FACE

REVISION

20/10/04 - Original	ISSUE A
04/06/10 - Amendment by J.F. Check by N.B. Border amended for international use	ISSUE B

CUSTOMER

PROJECT

TITLE
 ARENA SPORTS SYSTEM
 PHILADELPHIA SA-PL 3m

DATE	20/10/04	SCALE	1:50
DRAWN BY :	D.W.	CHECKED BY :	J.C.

DRAWING No. 33792 ISSUE B

© PLAYPOWER INC. 2010 SHEET 1 OF 1