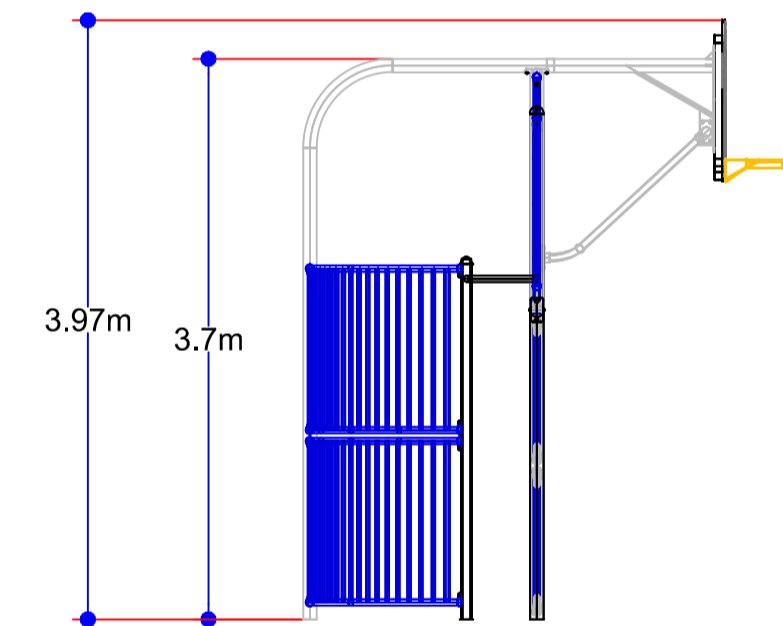
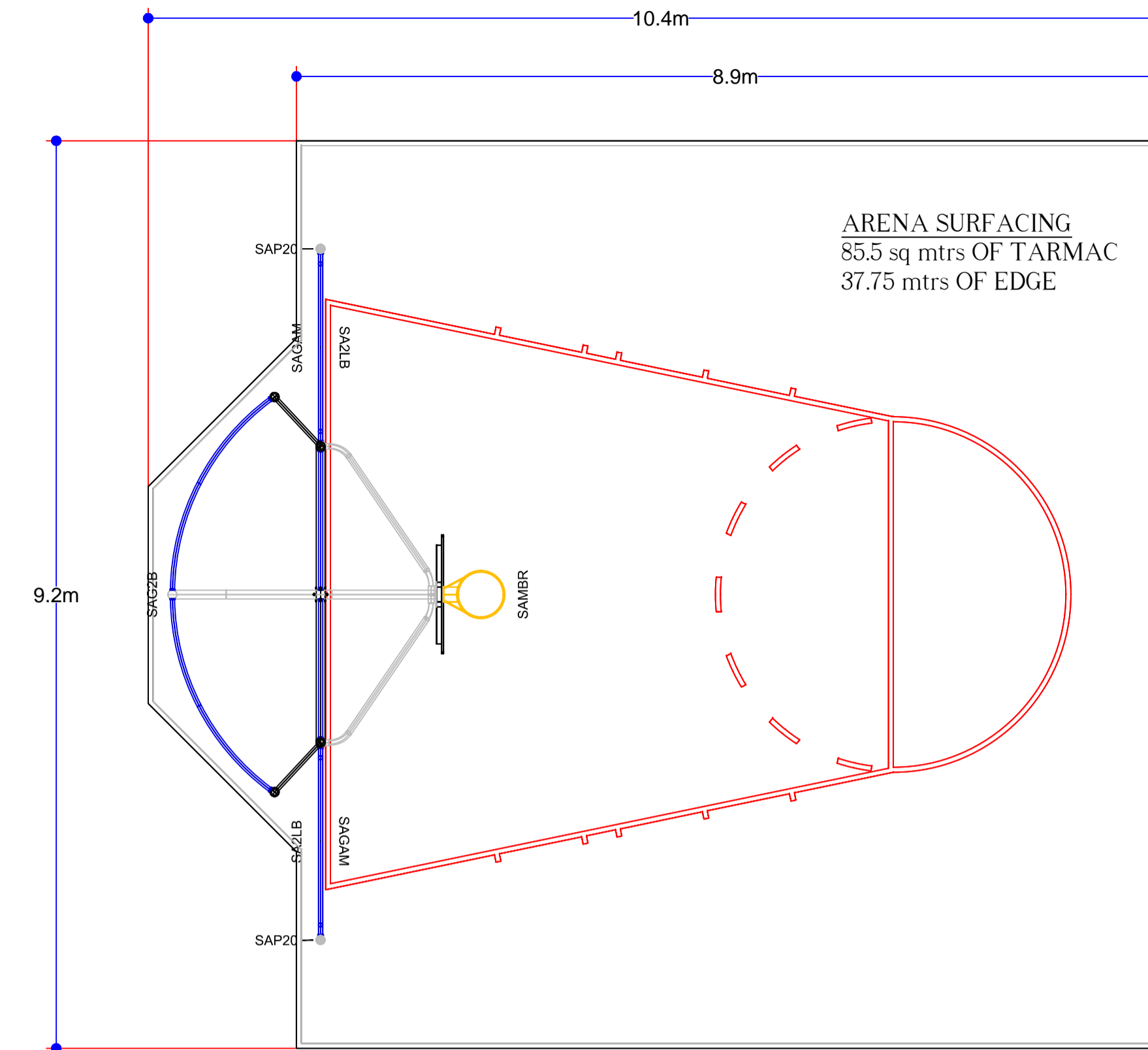
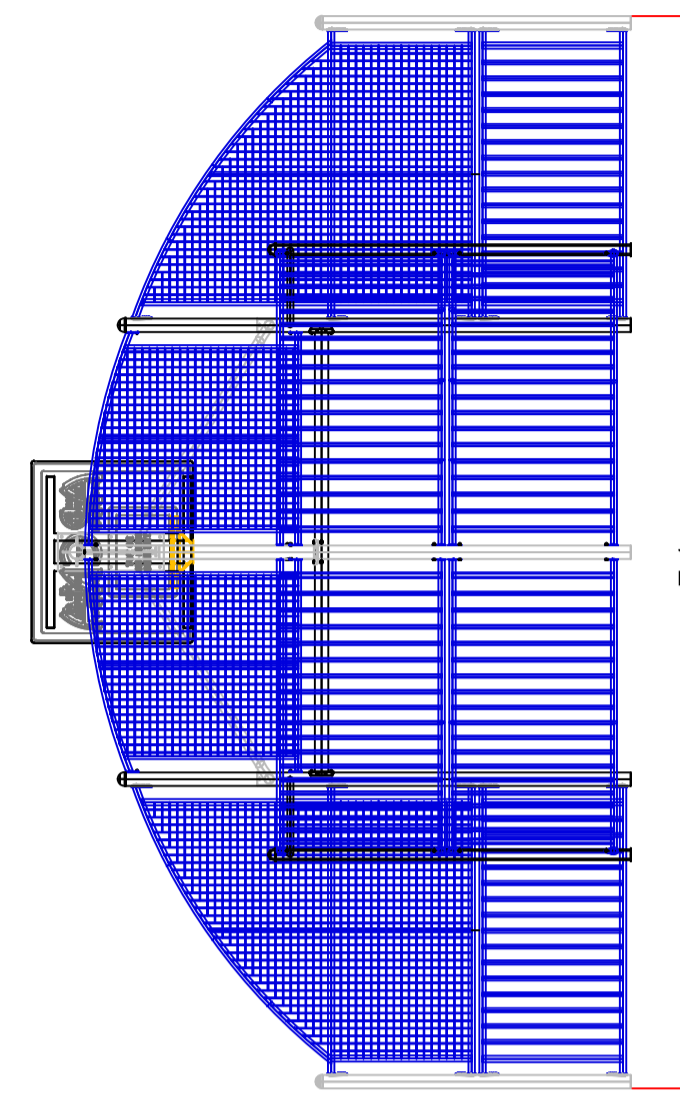


**Components List**  
**INDIANA**  
 Drawing No:33793\_Item1

Code	Description	Qty	Extended Weight (kgs)	Extended Concrete
SA2LB	LOWER BAR FRAME 2M	2	79.20	0.00
SAG2B	GOAL SECTION	1	354.00	1.01
SAGAM	ARCH SIDE PANEL- MESH	2	94.40	0.00
SAMBR	1.2M REACH BOARD & HOOP	1	94.47	0.00
SAP20	2.0M HIGH POST	2	42.00	0.13
		8	664.07	1.13

REFER TO ARENA INSTALLATION INSTRUCTIONS FOR COMPONENTS AND INSTALLATION



**ARENA**  
 Sports **SYSTEM**

**NOTES**  
 DIMENSIONS SHOWN FOR TARMAC ARE TAKEN FROM THE OUTSIDE OF THE PRE-CAST CONCRETE EDGE. DIMENSIONS SHOWN FOR EQUIPMENT ARE TAKEN FROM THE OUTERMOST FACE

**REVISION**

20/10/04 - Original	ISSUE A
04/06/10 - Amendment by J.F. Check by N.B. Border amended for international use.	ISSUE B

CUSTOMER

PROJECT

TITLE  
 ARENA SPORTS SYSTEM  
 INDIANA SA-IN 7m

DATE 20/10/04	SCALE 1:50
DRAWN BY : D.W.	CHECKED BY : J.C.

DRAWING No. 33793 ISSUE **B**

SHEET **1** OF **1**