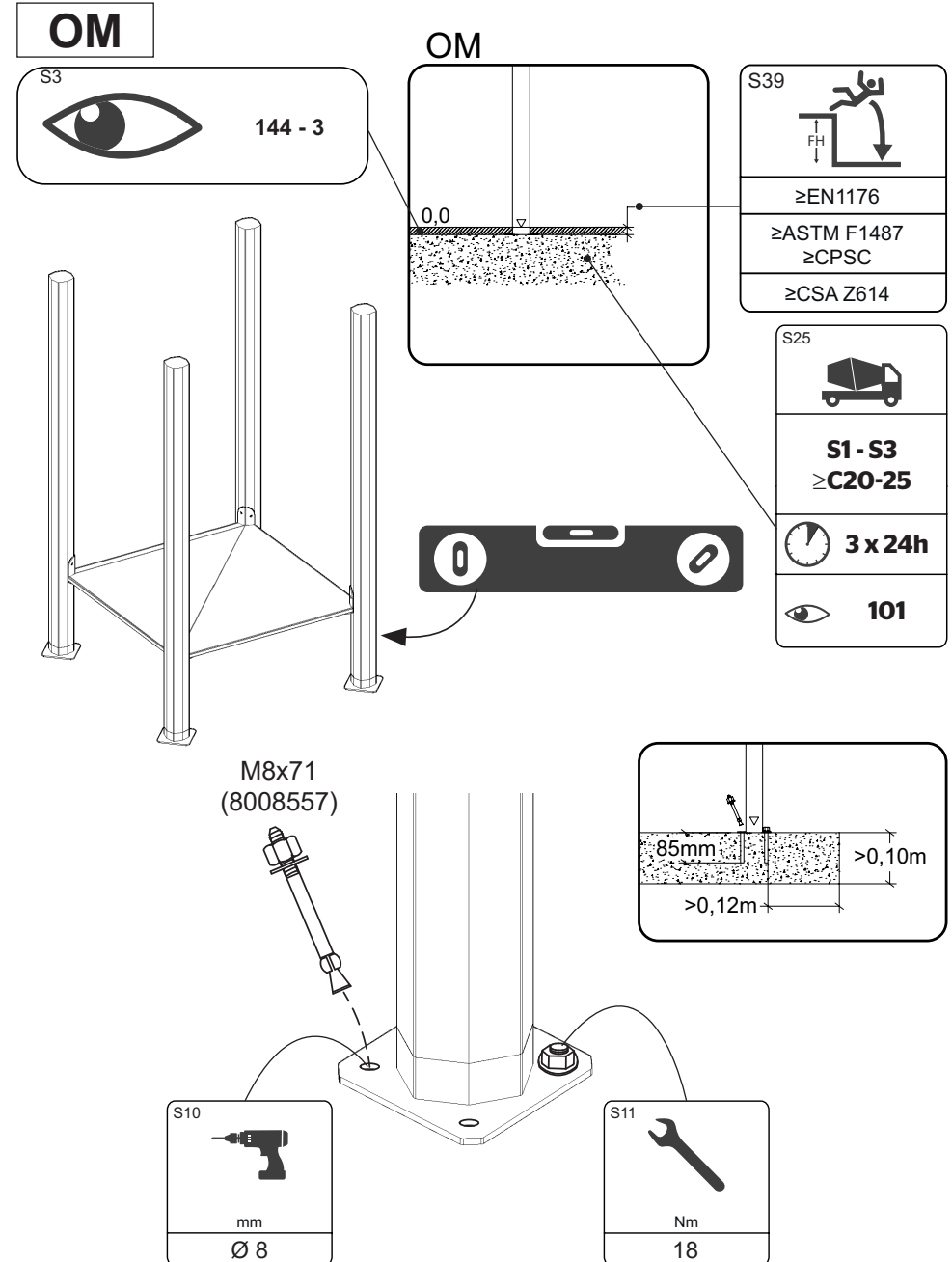
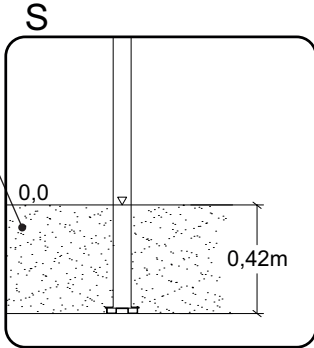
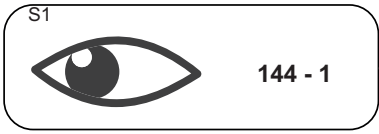







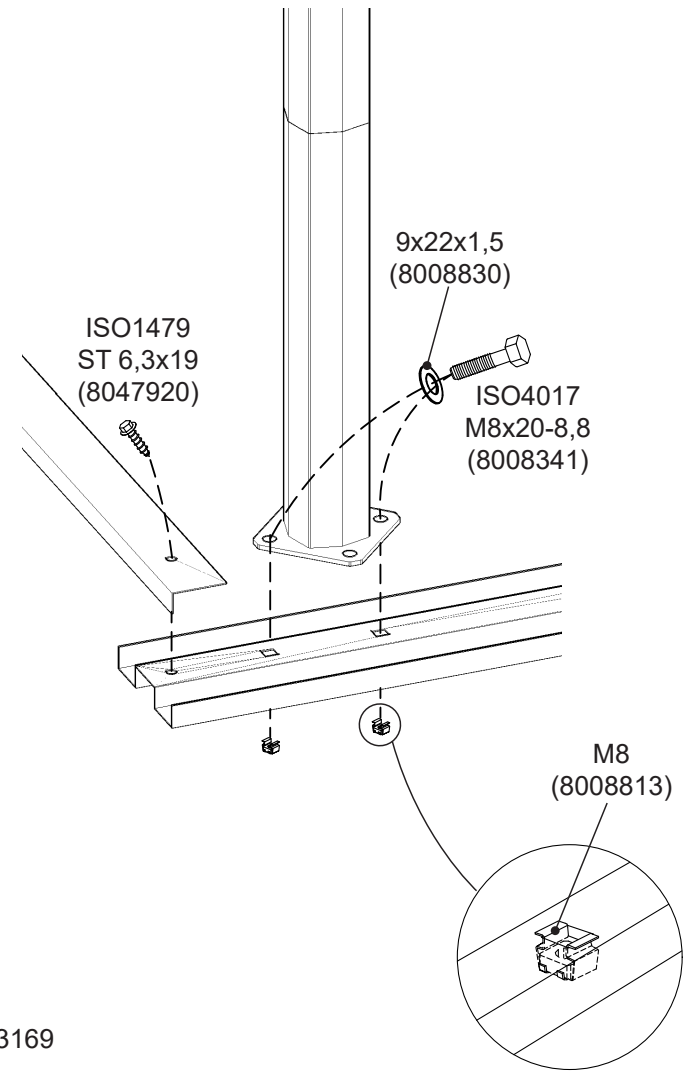
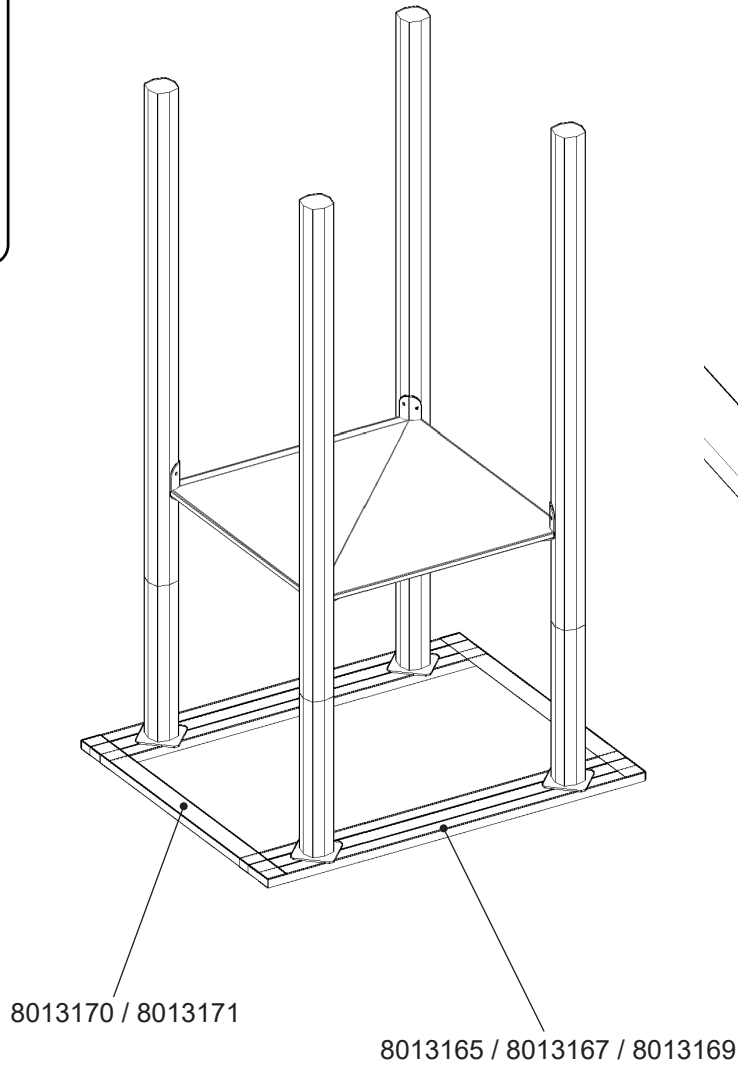
| CODE | ART.NO S | LENGTH (L) S | ART.NO OM | LENGTH (L) OM | ART.NO BM | LENGTH (L) BM | HEIGHT (H) |
|------|----------|--------------|-----------|---------------|-----------|---------------|--------------|
| sba | 8013113 | 0,972m | 8013344 | 0,602m | 8109175 | 1,322m | 0,57m |
| sca | 8013114 | 1,092m | 8013345 | 0,722m | 8109178 | 1,442m | 0,69m |
| sda | 8013115 | 1,212m | 8013346 | 0,842m | 8109179 | 1,562m | 0,81m |
| sea | 8013116 | 1,332m | 8013347 | 0,962m | 8109181 | 1,682m | 0,93m |
| seb | 8013117 | 1,372m | 8013348 | 1,002m | 8109182 | 1,722m | 0,97m |
| sfa | 8013118 | 1,452m | 8013349 | 1,082m | 8109183 | 1,802m | 1,05m |
| sfb | 8013119 | 1,492m | 8013350 | 1,122m | 8109184 | 1,842m | 1,09m |
| sga | 8013120 | 1,572m | 8013351 | 1,202m | 8109185 | 1,922m | 1,17m |
| sgb | 8013121 | 1,612m | 8013352 | 1,242m | 8109186 | 1,962m | 1,21m |
| sgc | 8013122 | 1,652m | 8013353 | 1,282m | 8109188 | 2,002m | 1,25m |
| sha | 8013123 | 1,692m | 8013354 | 1,322m | 8109189 | 2,042m | 1,29m |
| sja | 8013124 | 1,812m | 8013355 | 1,442m | 8109190 | 2,162m | 1,41m |
| sjb | 8097746 | 1,852m | 8025226 | 1,482m | 8109191 | 2,202m | 1,45m |
| ska | 8013125 | 1,932m | 8013356 | 1,562m | 8109192 | 2,282m | 1,53m |
| sma | 8013126 | 2,052m | 8013357 | 1,682m | 8109193 | 2,402m | 1,65m |
| smb | 8013127 | 2,092m | 8013358 | 1,722m | 8109194 | 2,442m | 1,69m |
| sna | 8013128 | 2,172m | 8013359 | 1,802m | 8109195 | 2,522m | 1,77m |
| soa | 8013129 | 2,292m | 8021012 | 1,922m | 8109196 | 2,642m | 1,89m |
| spa | 8013130 | 2,412m | 8013360 | 2,042m | 8109200 | 2,762m | 2,01m |
| spb | 8013131 | 2,452m | 8013361 | 2,082m | 8109201 | 2,802m | 2,05m |
| sra | 8013132 | 2,532m | 8013362 | 2,162m | 8109202 | 2,882m | 2,13m |
| ssa | 8013133 | 2,652m | 8013363 | 2,282m | 8109203 | 3,002m | 2,25m |
| sta | 8013134 | 2,772m | 8013364 | 2,402m | 8109204 | 3,122m | 2,37m |
| sua | 8013135 | 2,892m | 8013365 | 2,522m | 8109205 | 3,242m | 2,49m |
| sxa | 8013136 | 3,132m | 8013366 | 2,762m | 8109207 | 3,482m | 2,73m |







S








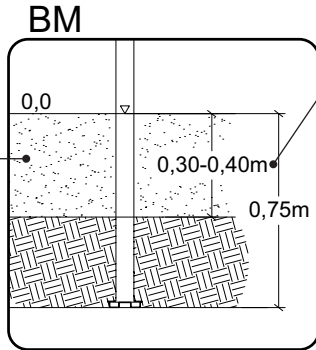
| | |
|--|---------|
|  0,80m | 8013170 |
|  1,45m | 8013171 |
|  0,62m | 8013165 |
|  1,00m | 8013167 |
|  1,65m | 8013169 |



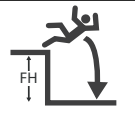
BM

| | | |
|----|--|---------|
| S1 |  | 144 - 1 |
| S2 |  | 144 - 2 |
| S3 |  | 144 - 3 |
| S5 |  | 144 - 5 |

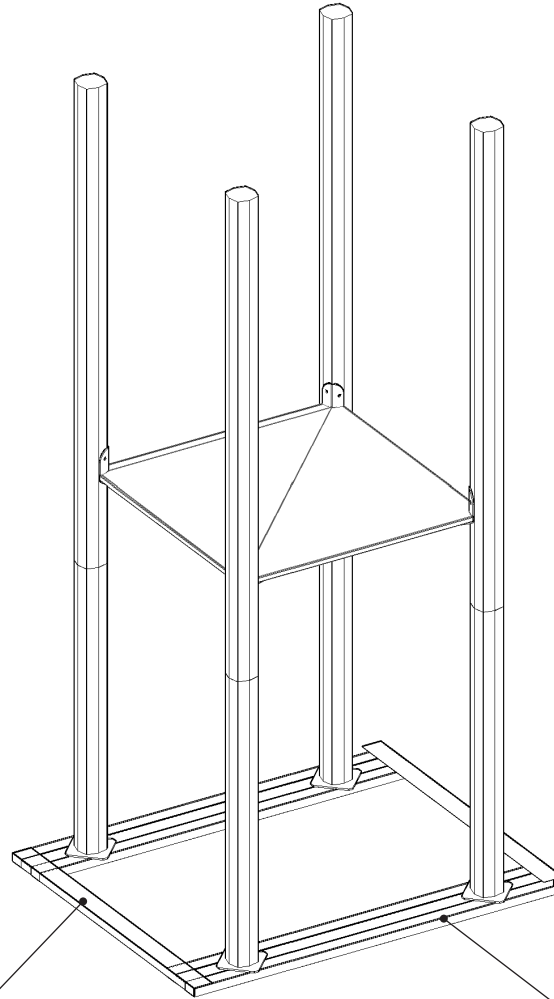
| | | |
|---|-------|---------|
|  | 0,80m | 8013170 |
|  | 1,45m | 8013171 |
|  | 0,62m | 8013165 |
|  | 1,00m | 8013167 |
|  | 1,65m | 8013169 |



S39

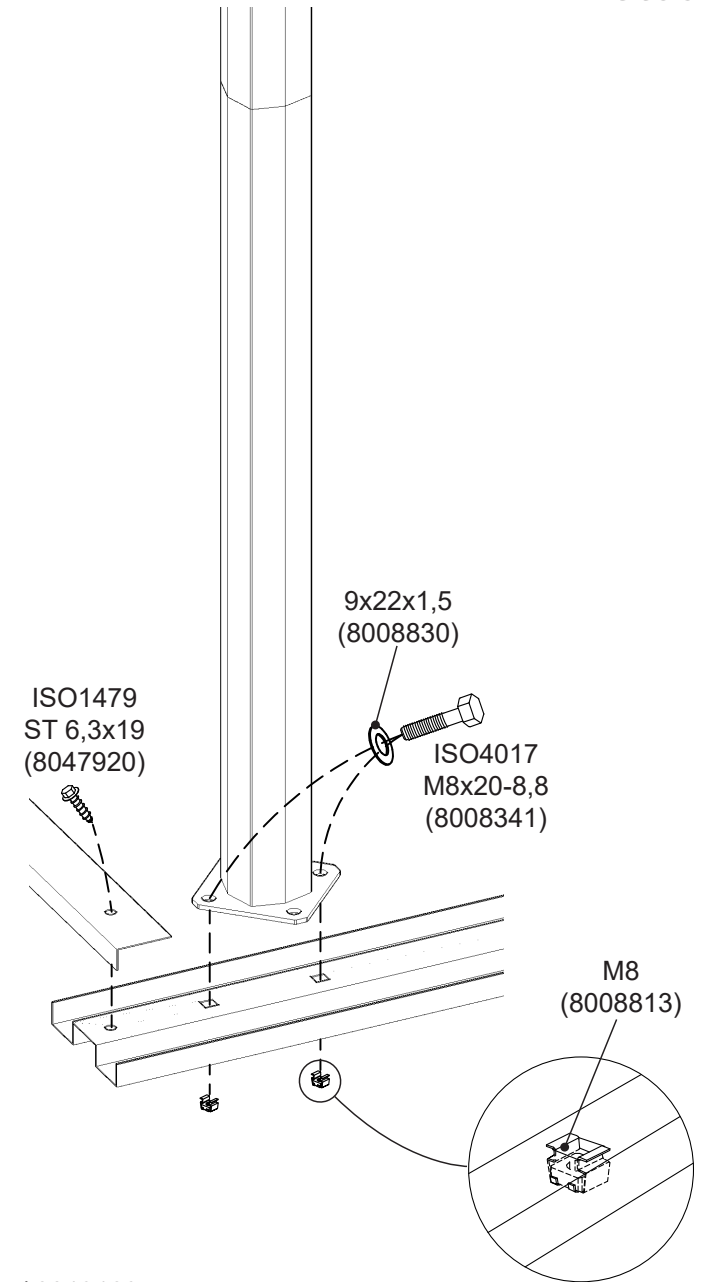






≥EN1176
≥ASTM F1487
≥CPSC
≥CSA Z614

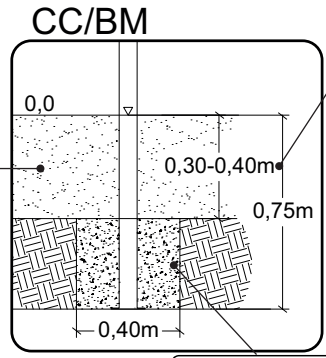


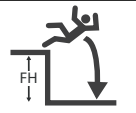
8013170 / 8013171

8013165 / 8013167 / 8013169




- S1  144 - 1
- S2  144 - 2
- S3  144 - 3
- S5  144 - 5





S39 

≥EN1176
≥ASTM F1487
≥CPSC
≥CSA Z614

S25 

S1 - S3
≥C20-25

 3 x 24h

 101

