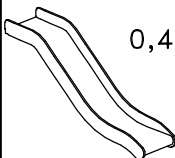

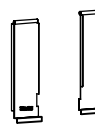
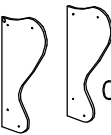



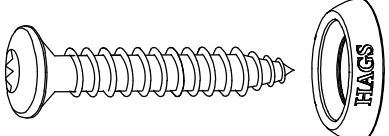
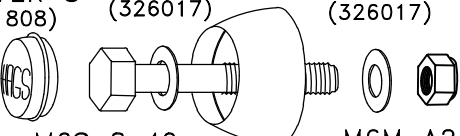
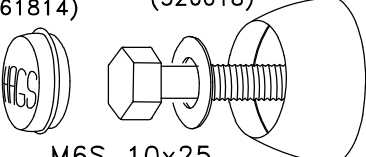
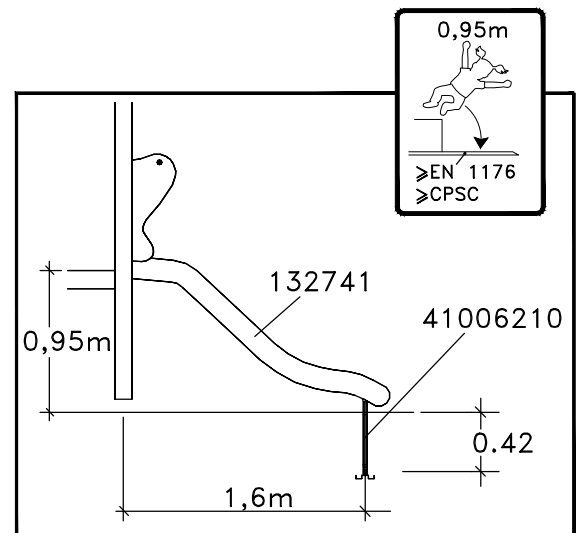




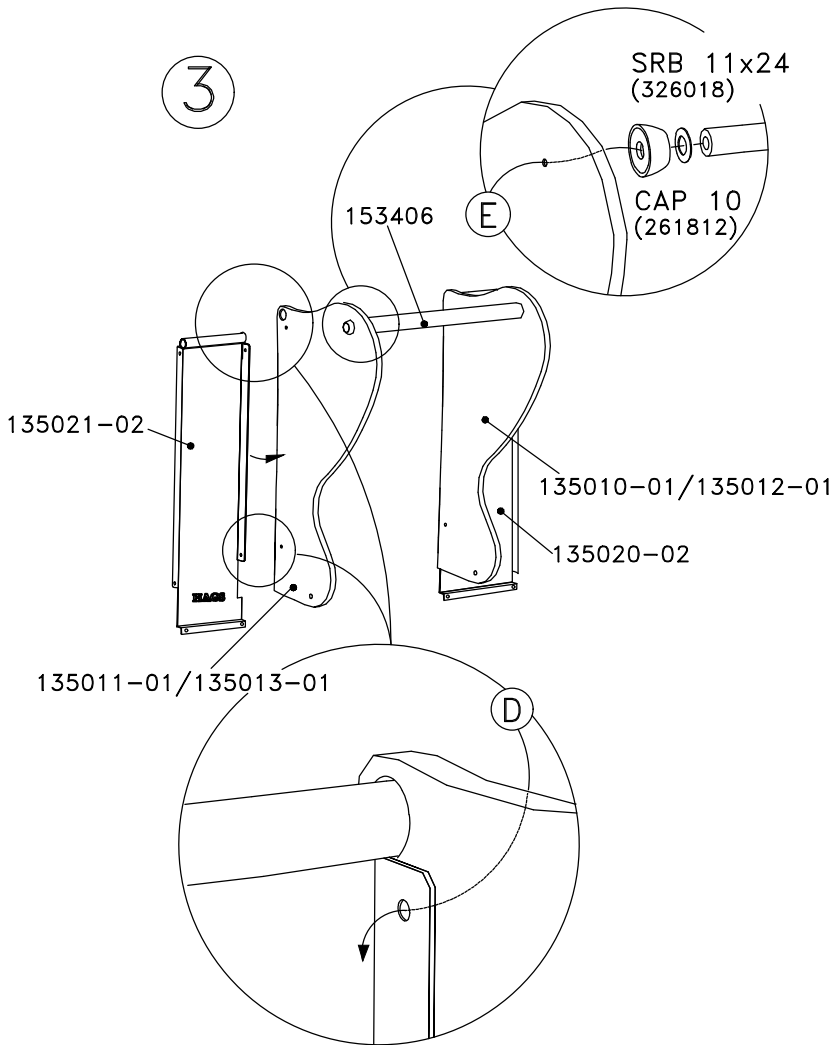
TYPE	HAGS.NO
 0,45x2,1m	132741
 0,89m	410601
 Right panel is marked with punched HAGS logo! 0,2x0,74m	135020-02 135021-02
 0,37x0,71m	135010-01 135011-01 135012-01 135013-01
 Ø25mm L=0,45m	153406
 L=0,56m	41006210
 0,62m	610071-02

<b>A</b>	TKFT 8x60 (310510)	18/15x4,5 (261817)	
			
<b>B</b>	COVER 8 (261808)	SRB 9x18 (326017)	SRB 9x18 (326017)
			
	M6S 8x40 (302161)	CAP 8 (261806)	M6M A2 M8 (324102)
<b>C</b>	COVER 10 (261814)	SRB 11x24 (326018)	
			
	M6S 10x25 (302207)	CAP 10 (261812)	



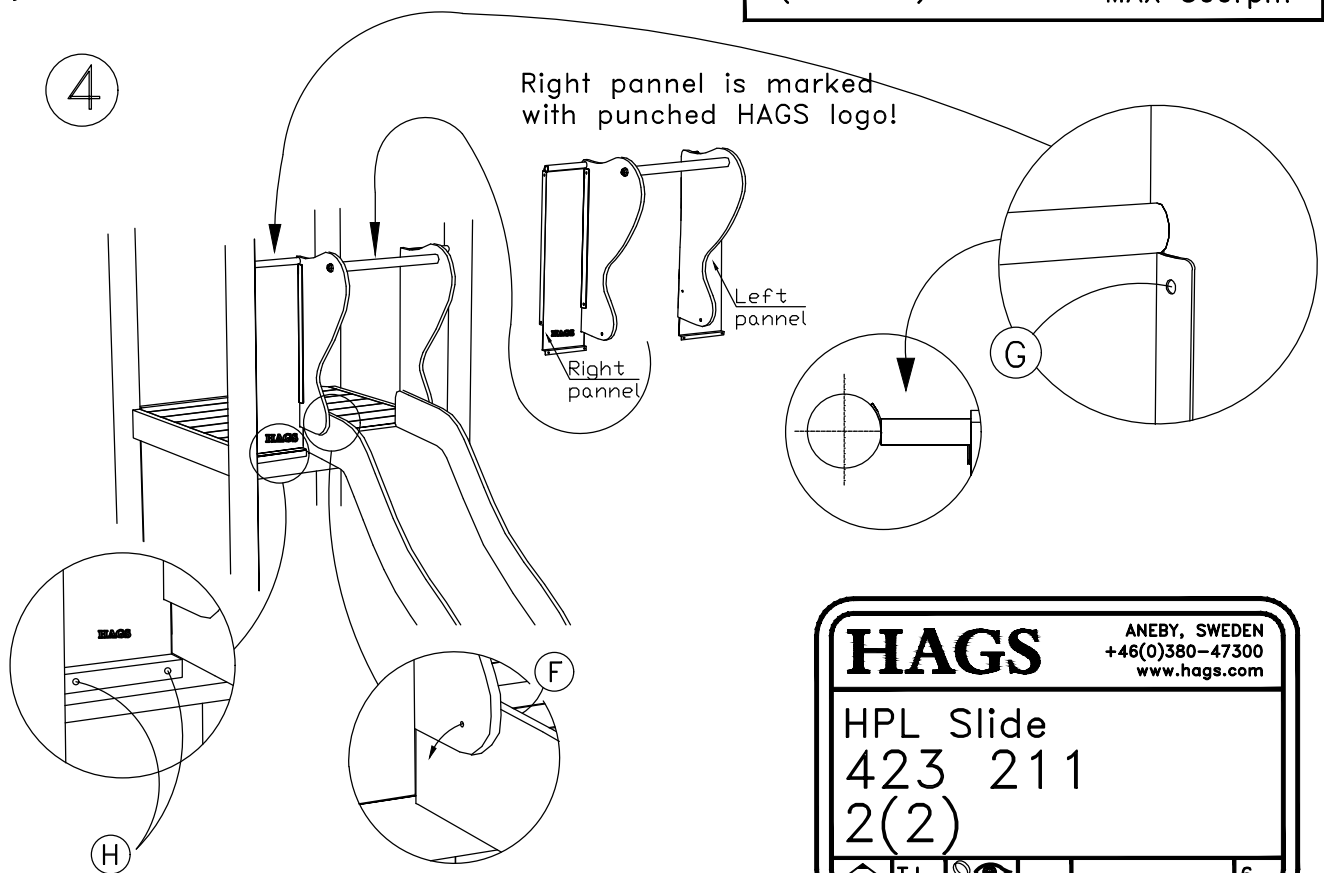
<b>HAGS</b>	ANEBY, SWEDEN +46(0)380-47300 www.hags.com
HPL Slide	
423 211	
1(2)	
 TJ	 - -
6	

3



D	MVBF 6x25 (304552)	M6M A2 M6 (324101)	COVER 6 (261801)
E	COVER 8 (261808)	SRB 9x18 (326017)	M6S 8x55 (302164)
F	MVBF 8x45 (304605)	M6M A2 M8 (324102)	COVER 8 (261808)
G	TKFT 6x40 (311100)	15/7x3 (261819)	
H	Screw thr-forming M6x25-8.8-(IS07380) (8027762)	Ø5,5 250 MAX 500rpm	

4



**HAGS** ANEBY, SWEDEN  
+46(0)380-47300  
www.hags.com

HPL Slide  
423 211  
2(2)

TJ - - 6