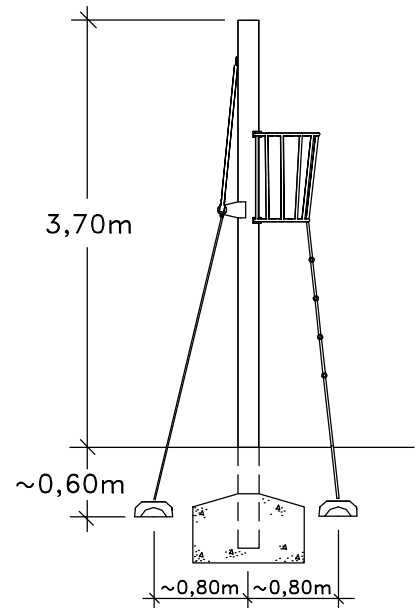
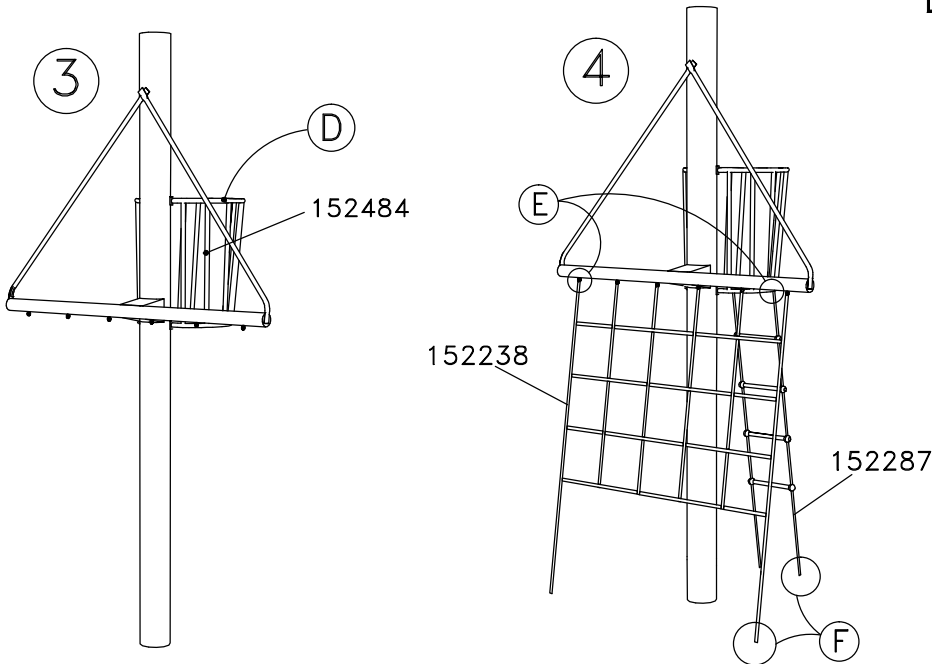


TYPE	HAGS.NO
L=4,6m	152590
$\varnothing 76$ L=2,0m	152485
$\varnothing 25$ L=1,84m	152489
0,75x0,77m	152484
1,70x2,52m	152238
0,35x2,41m	152287
(4x)	410086



4,0h



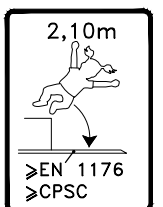
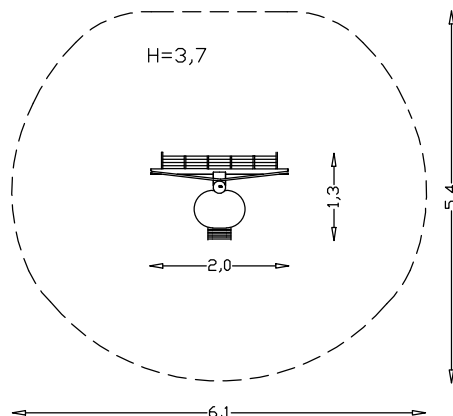
Varje vecka
Every week
Jede woche
Chaque semaine



Varje säsong
Every season
Jedes Jahr
Chaque saison



5-12

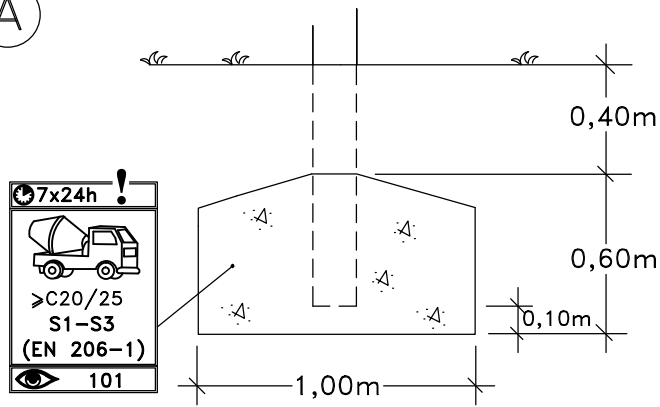


HAGS ANEBY, SWEDEN
+46(0)380-47300
www.hags.com

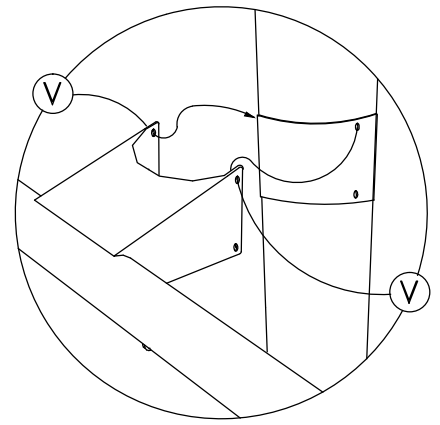
Ohoy
152 372
1(2)

Anki OG 2015-10-22 | 7

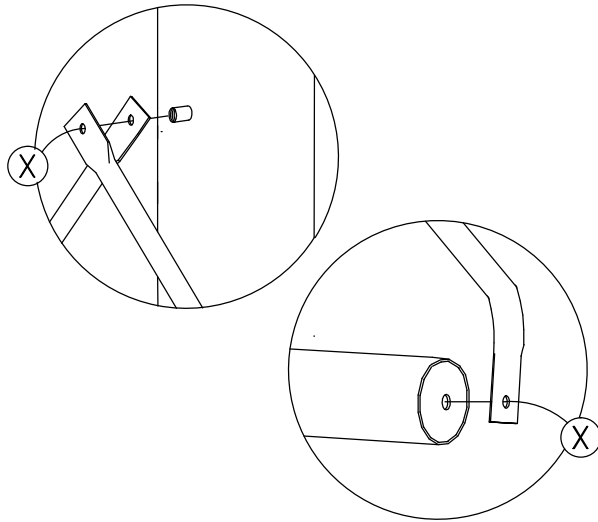
A



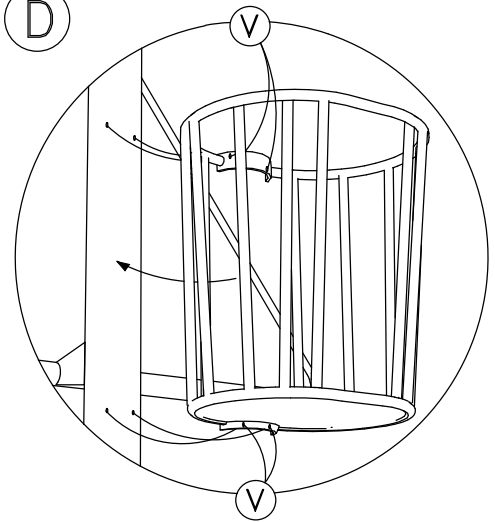
B



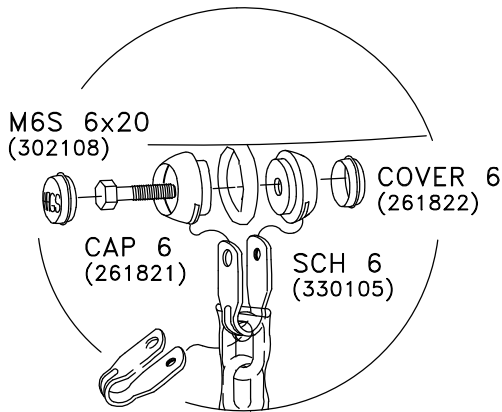
C



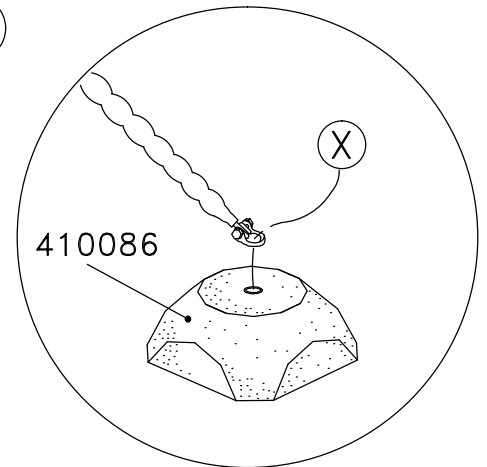
D



E



F



V	M6S 10x30 (302208)	SRB 11x28 (326003)
X	M6S 12x30 (302257)	SRB 12x30 (326004)

HAGS ANEBY, SWEDEN
+46(0)380-47300
www.hags.com

Ohoy
152 372
2(2)

OG 2015-10-22 7