

POS-NR ART-NR ANTA/QUANTITY
 POS-NO ART-NO MENGE/QUANTITE

STEP 1
 14200010 14100010 3
 14100015 14100015 3
 14160065 14160065 1
 14160068 14160068 1
 14160069 14160069 1

142675 14167013 1
 14167015 14167015 6
 14167510 14167510 1
 610071-02 610071-02 4

STEP 2
 142645 610072-03 1
 14164510 14164510 1
 14164511 14164511 1
 14167015 14167015 1

142692 14100005 2
 14168210 14168210 1
 14169210 14169210 1
 14169211 14169211 1
 14169212 14169212 1

STEP 3
 142676 14167610 1
 142751 14175110 1
 14175111 14175111 1
 14175112 14175112 2
 145001 145001 4
 41078513 41078513 1
 41078514 41078514 2
 41078515 41078515 1



28 h



Varje vecka
 Every week
 Jede woche
 Chaque semaine



Varje säsong
 Every season
 Jedes Jahr
 Chaque saison

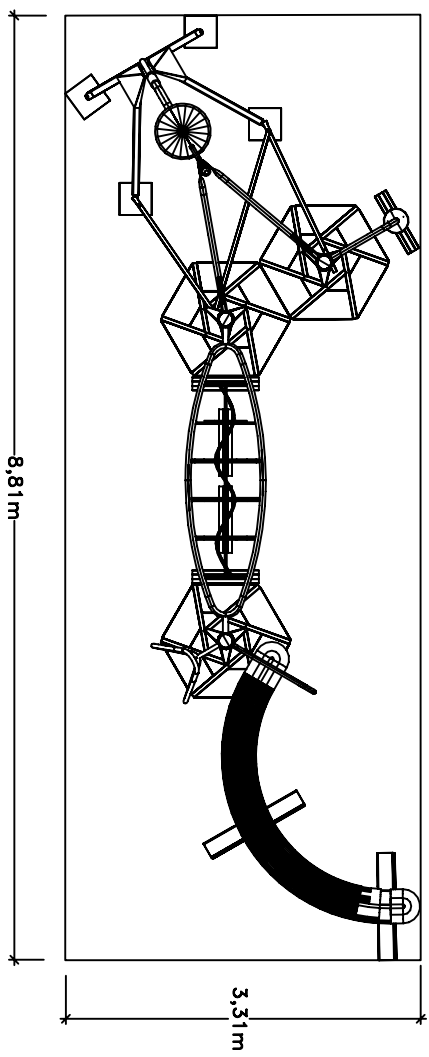
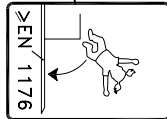
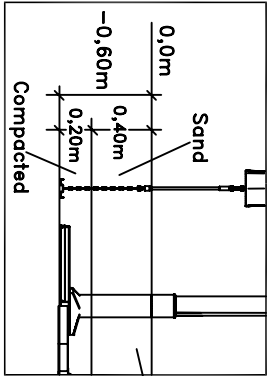
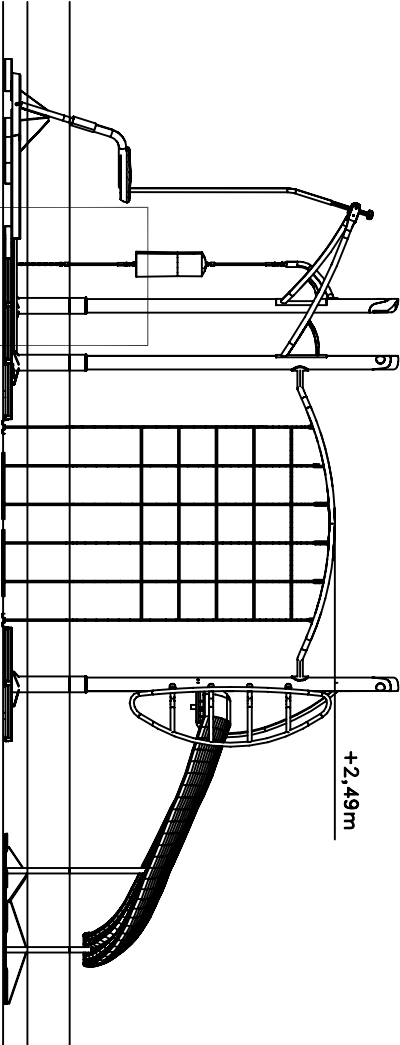


5-12

HAGGS
 ANEBY, SWEDEN
 +46(0)380-47300
 www.haggs.com

Carpe
 144406
 (1)

UD JS 2007-04-26 0

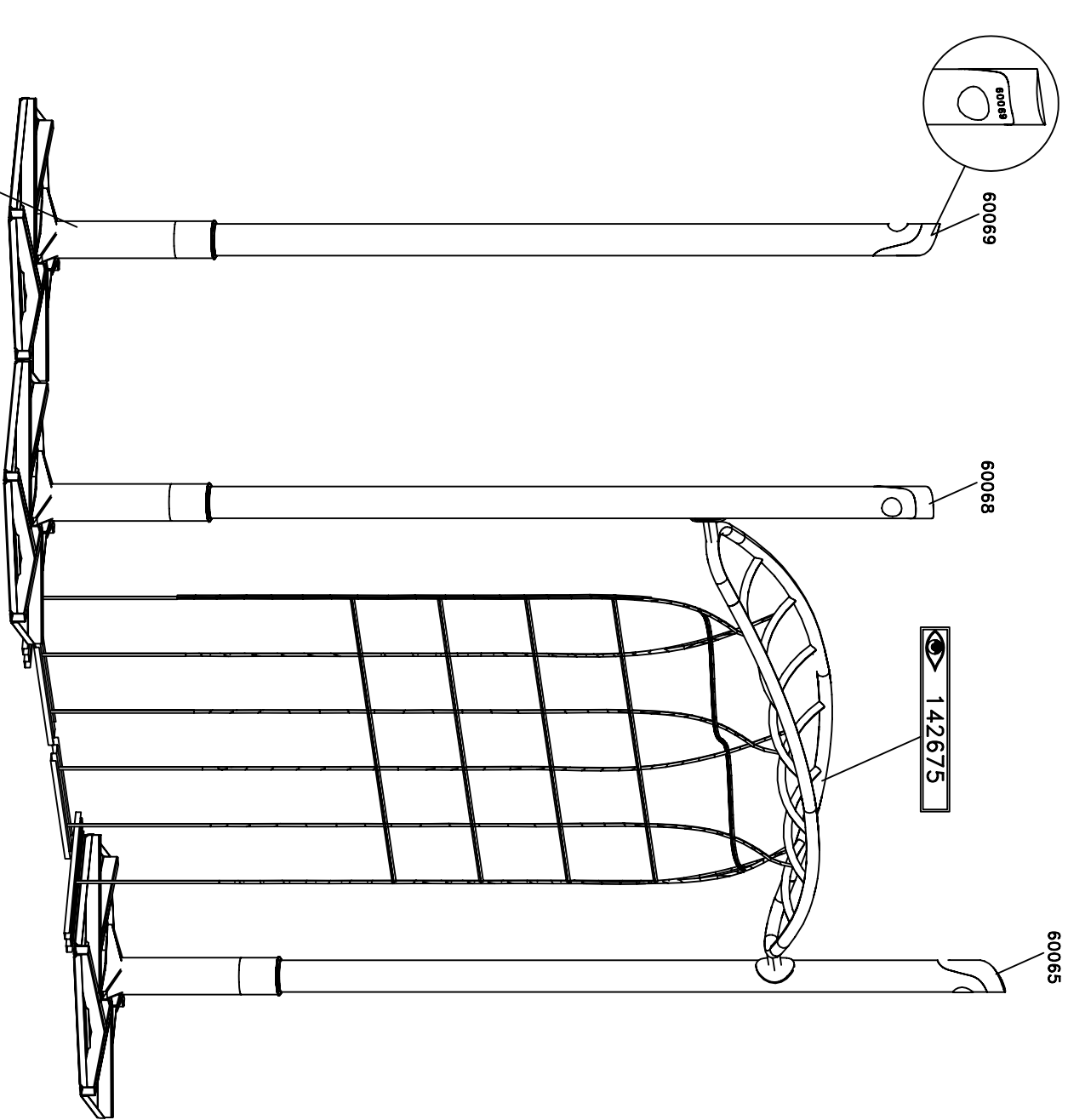
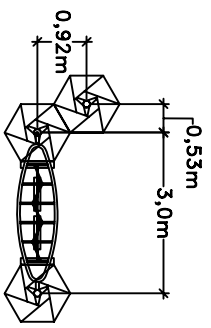


HAGS
 ANEBY, SWEDEN
 +46(0)380-47300
 www.hags.com

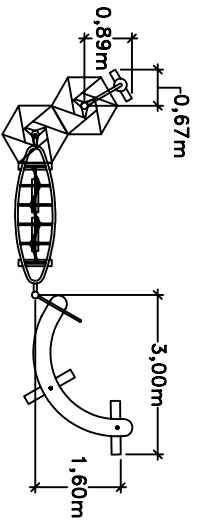
Carpe
 144406
 (II)

UD JS 2007-04-26 0

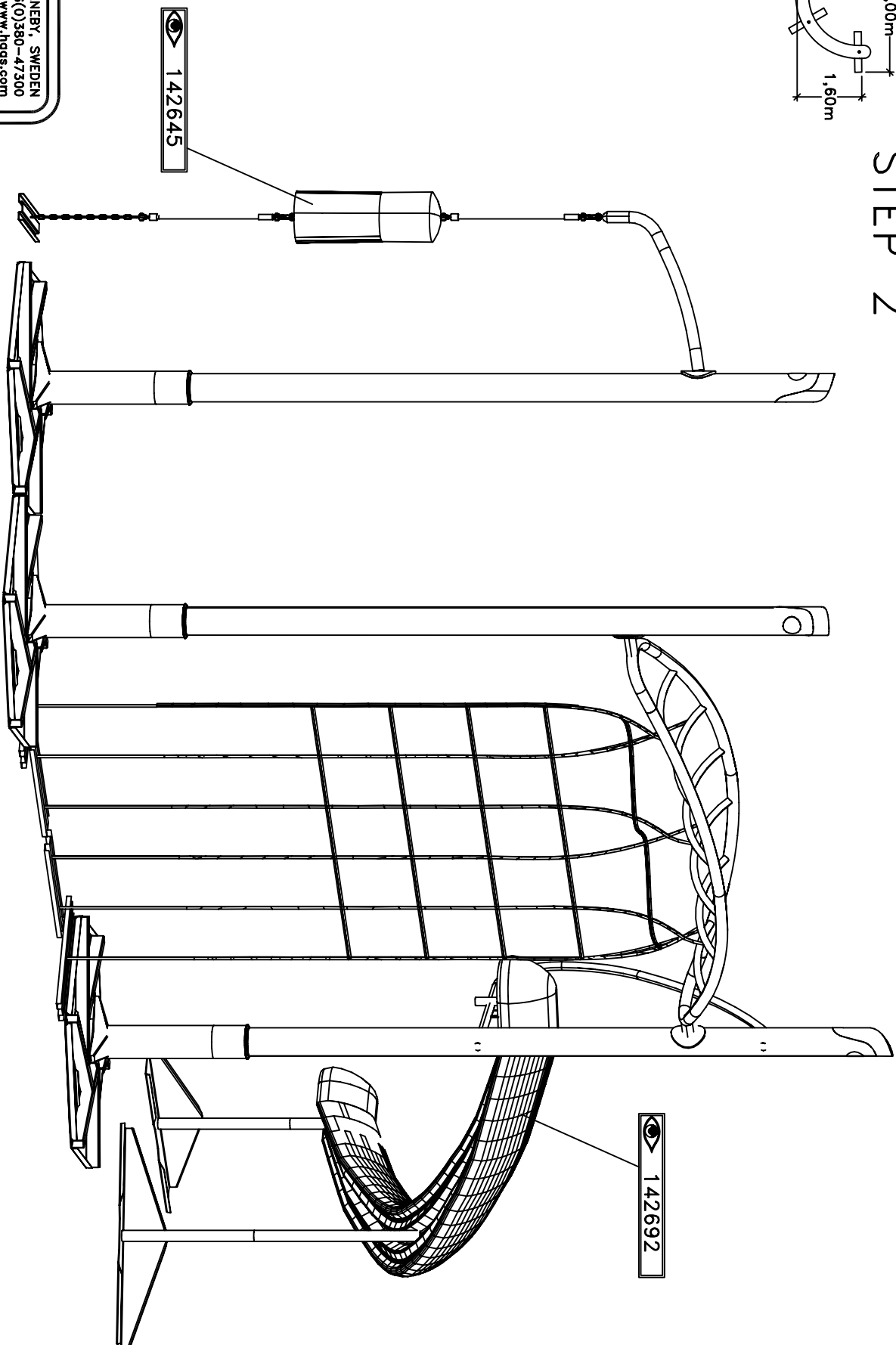
STEP 1



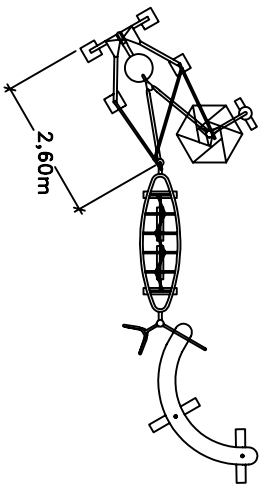
HAGS		ANEBY, SWEDEN	
Carpe		+46(0)380-47300	
144406		www.hags.com	
(III)			
UD	JS	2007-04-26 0	



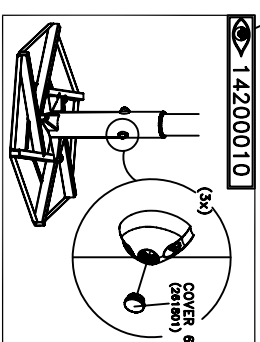
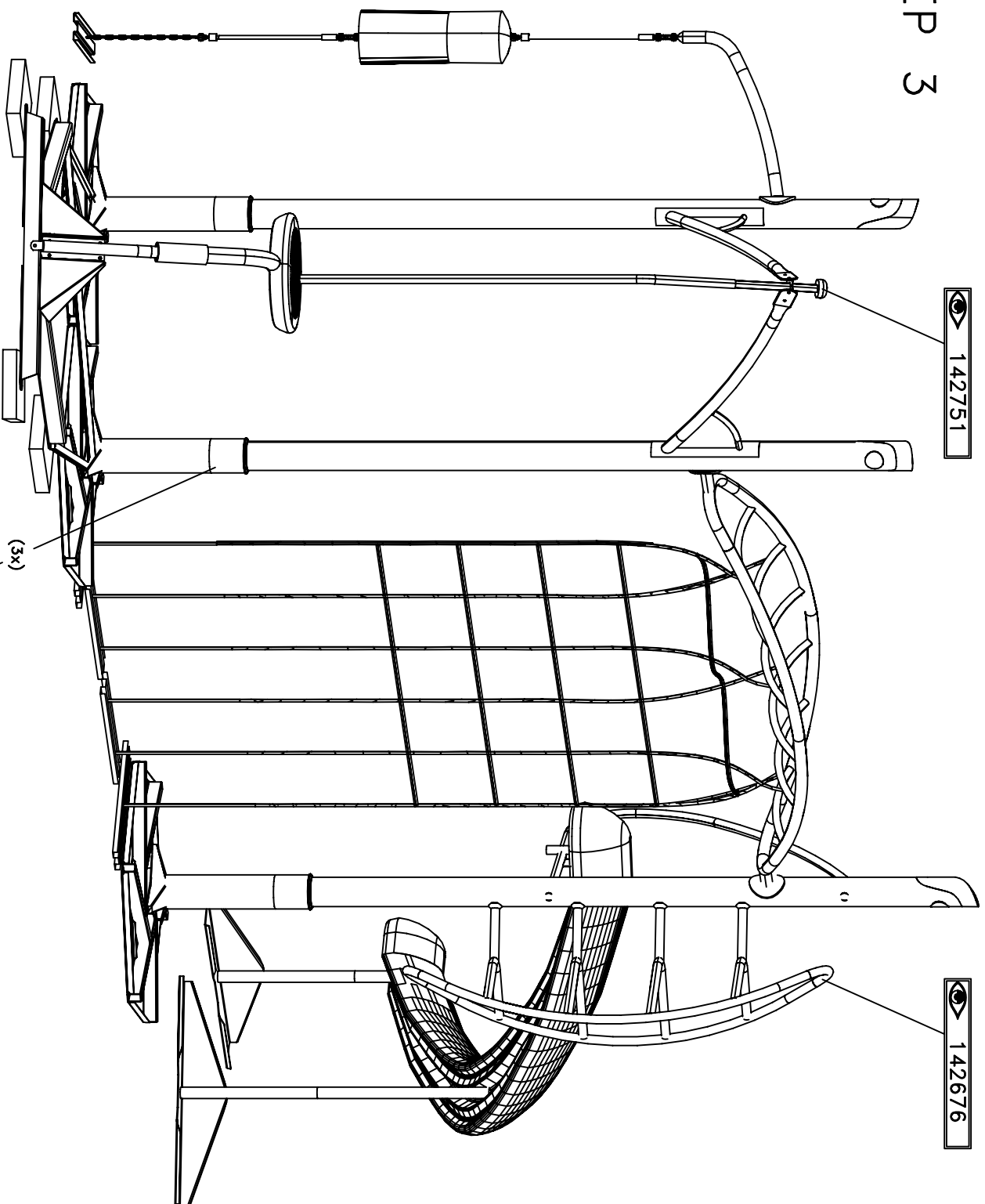
STEP 2



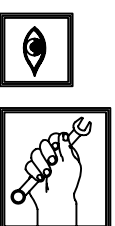
UD	JS	2007-04-26 0	HAGS ANEBY, SWEDEN +46(0)380-47300 www.hags.com



STEP 3



STEP 4



1 Mand
1 Month
1 Month
1 Mols

HAGS
ANEBY, SWEDEN
+46(0)380-47300
www.hags.com

Carpe
144406
(V)

UD JS 2007-04-26 | 0