



Loly Climber

HAGS[®]
Inspiring all generations



Traditional and Dynamic Play Equipment • Climbing



m²
29

3.0

5-12

8

24

Loly Climber

8077616 Titanium/Green 8077617 Titanium/Red

8077618 Titanium/Yellow 8077619 Green

8077620 Red 8077621 Yellow

CC Cast in Place

★ 6,55 x 5,20

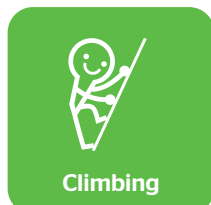
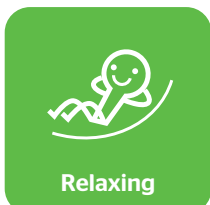
for more details please visit our website:
www.hags.com

The Loly will provide climbers with risk and excitement as they try to find their way through or over the loops.

Perfect for children to burn off energy and it's specifically good for children with ADHD who love speed and excitement.

Made from strong, durable steel and painted using environmentally friendly methods.

Play Values

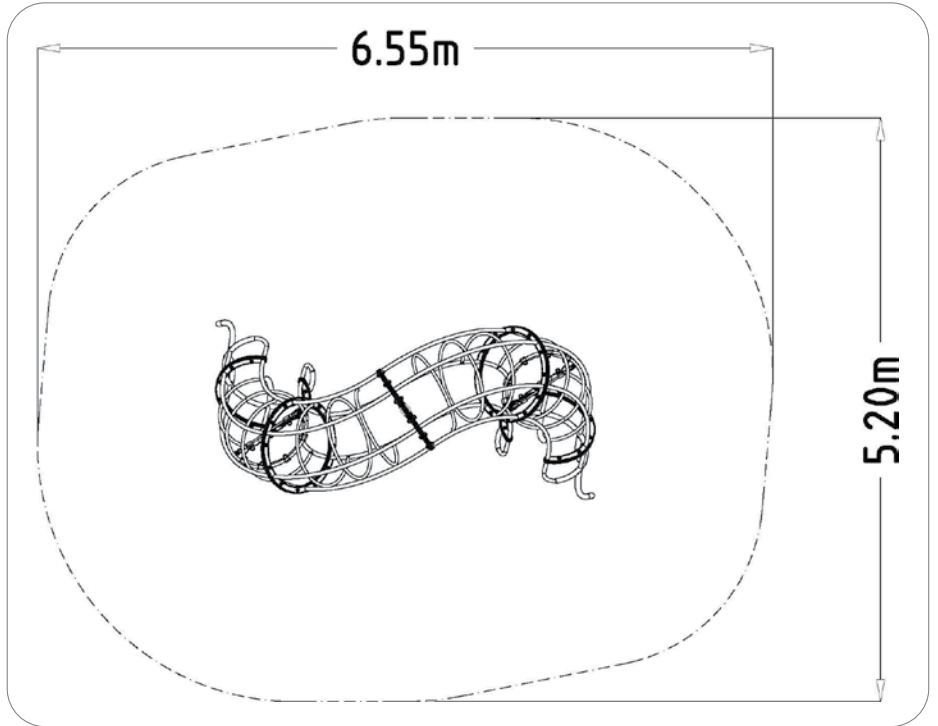




Traditional and Dynamic Play Equipment • Climbing

Loly Climber

Age Range	5-12
Users	8
Assembly Time (hrs)	24
Length (m)	3,19
Width (m)	3,07
Height (m)	2,96
Net Weight (kg)	298
Fall Height (m)	3,0
Safety Area W (m)	6,55
Safety Area L (m)	5,20
Surface (m ²)	29



Technical Specification

Overall structure
Helical climbing tube 3.07m x 3.2m x 2.96m high, fabricated in curved tube sections, bolted together with machined Polyethylene guarding spacers and stainless steel fixings.

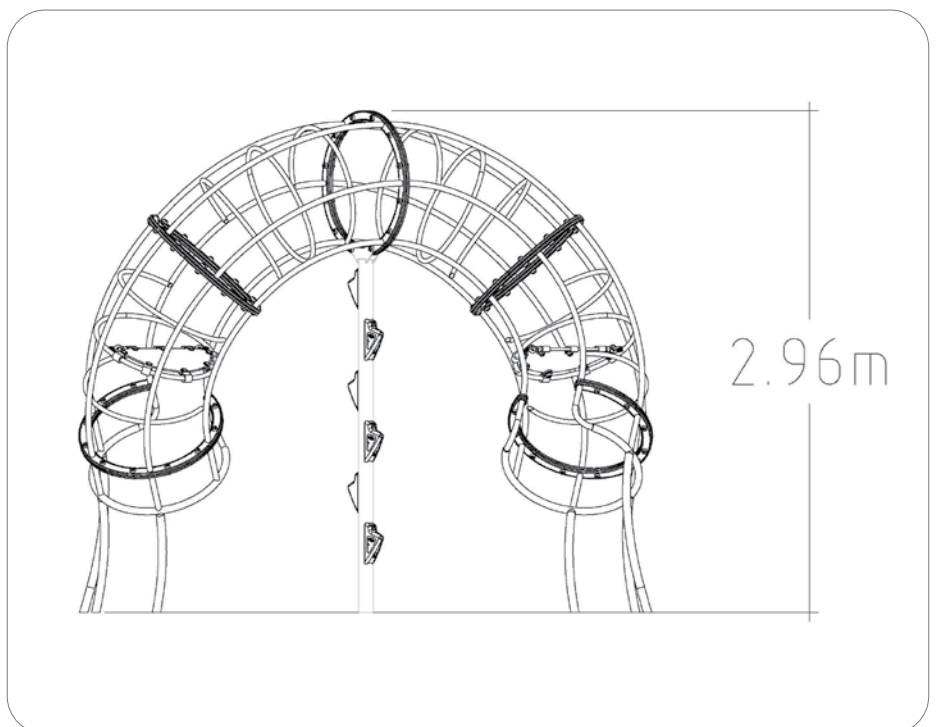
Includes 'Flex tread' sitting sections supported by a central steel post, with bolted-on climbing holds.

Central post is fabricated from 88.9mm diameter x 3.2mm thick circular hollow section steel tube.

All fabricated steel parts are finished to the standard HAGS Powder Coating process.

Curved sections

750mm in overall diameter and fabricated from 33.7mm and 26.9mm diameter x 3mm thick circular hollow section steel tube, with 48.3mm diameter x 4mm thick steel tubes, extending into the ground.



Assembly time	Recommended age	Accessible	Free height of fall EN 1176	Space needed	Impact area EN 1176	No. of Users